

# TECHNICAL INFORMATION

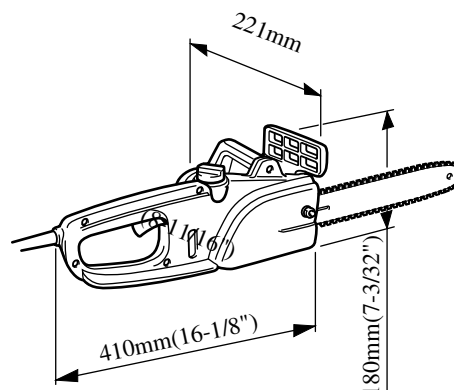


New Tool

**Models No.** ▶ UC4010A

**Description** ▶ 300mm, 350mm, 400mm chain saw

## CONCEPTION AND MAIN APPLICATIONS



These models are home use chain saws that correspond to the functions

### ► Specifications

Voltage (V)	Current (A)	Cycle (Hz)	Continuous Rating (W)		Max. Output(W)
			Input	Output	
220-240	7.0	50/60	1500	780	2000

Chain speed		800m/min.
-----		-----
-----		-----
-----		-----
-----		-----
-----		-----
Saw chain	Type	90SG
-----		-----

### ► Standard equipment

Chain cover ----- 1 pc.

Pitch 3/8"

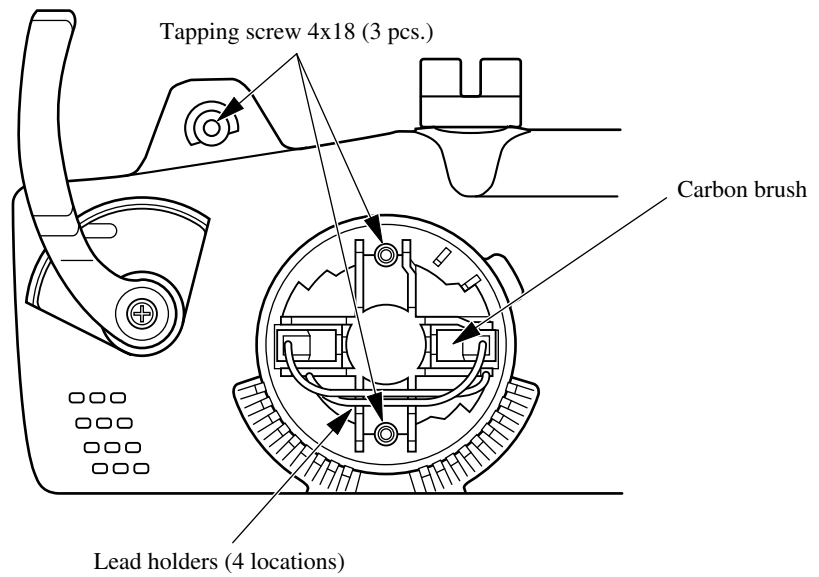
Universal wrench ----- 1 pc.

Gauge 0.042"

## ► Repair

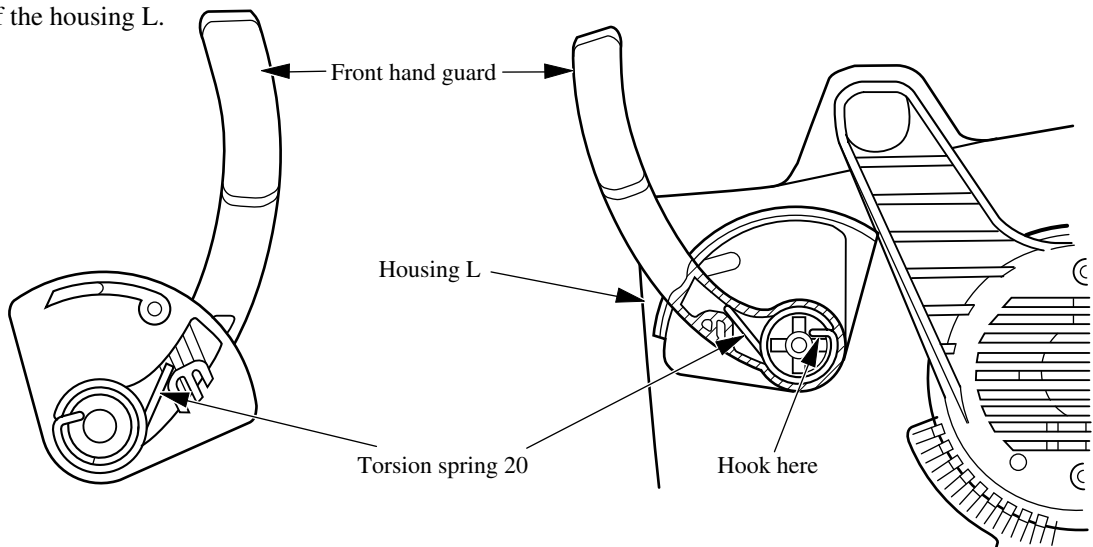
### 1. Replacement of carbon

- 1) Loosen three tapping screws 4x18 that fix front handle and remove front handle to replace the carbon.
- 2) Secure lead wires to the lead holder.



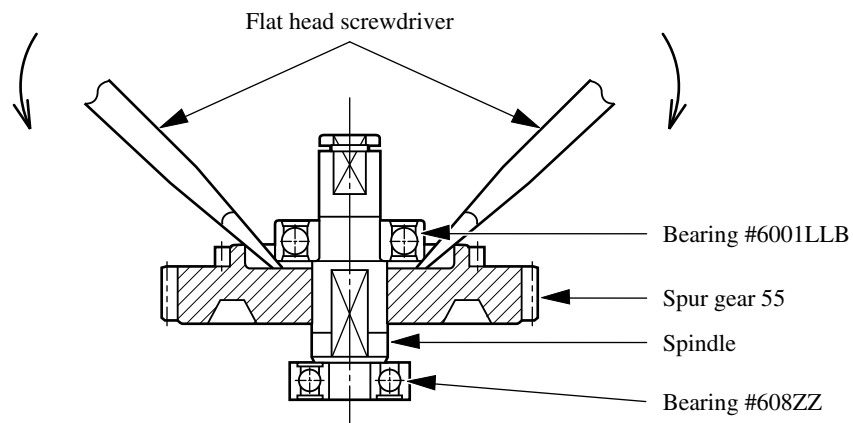
### 2. Replacement of front hand guard

- 1) Put down front hand guard forward and replace it while actuating a kick-back brake.
- 2) Mount torsion spring 20 on the front hand guard as shown in the figure below.
- 3) Mount the front hand guard to the housing L at an angle as shown below. At this time hook the torsion spring to the boss of the housing L.



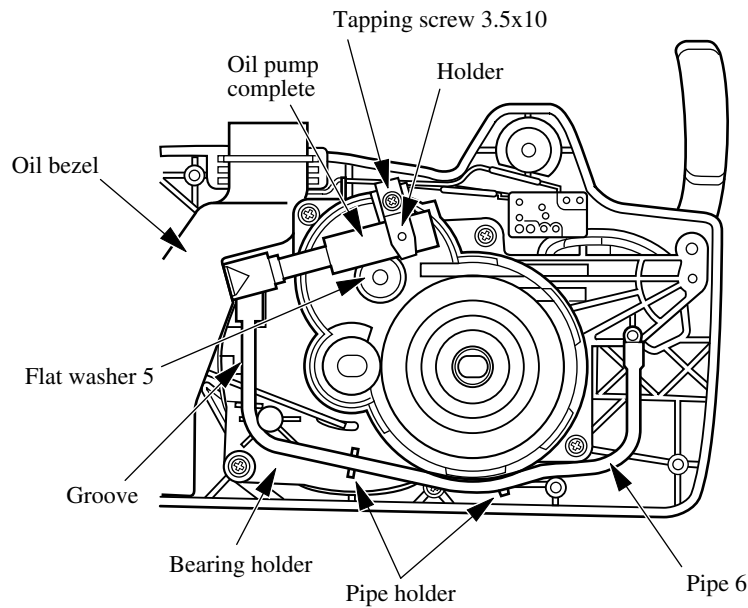
### 3. Replacement of bearing

Replace bearing #6001LLB by using two flat head screwdrivers as shown below.



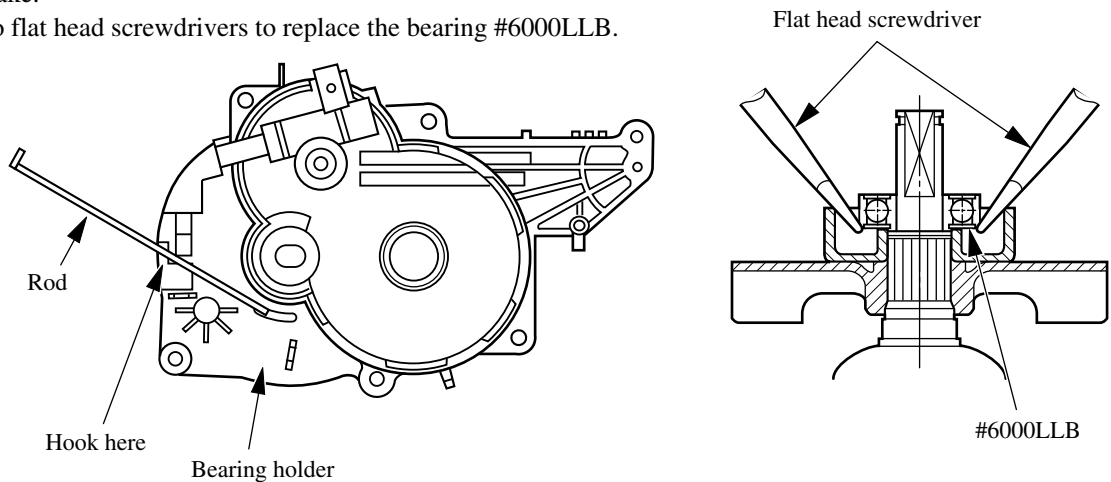
#### 4. Replacement of oil pump complete

- 1) Loosen tapping screw 3.5x10 and remove holder.
- 2) Remove oil pump complete together with oil bezel.
- 3) Secure pipe 6 on the groove of the bearing holder and the pipe holder.
- 4) Insert flat washer 5 between bearing holder and spur gear 39.



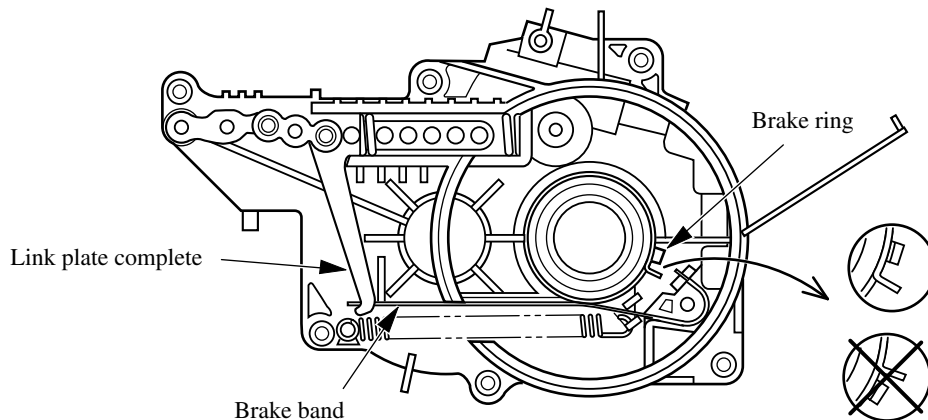
#### 5. Replacement of armature

- 1) Before replacement release kick-back brake by following the instruction manual.
- 2) Remove carbon by following the procedures of "1. Replacement of carbon."
- 3) When pulling out/putting on armature from/to bearing holder, hook a rod to the bearing holder and release the kick-back brake.
- 4) Use two flat head screwdrivers to replace the bearing #6000LLB.

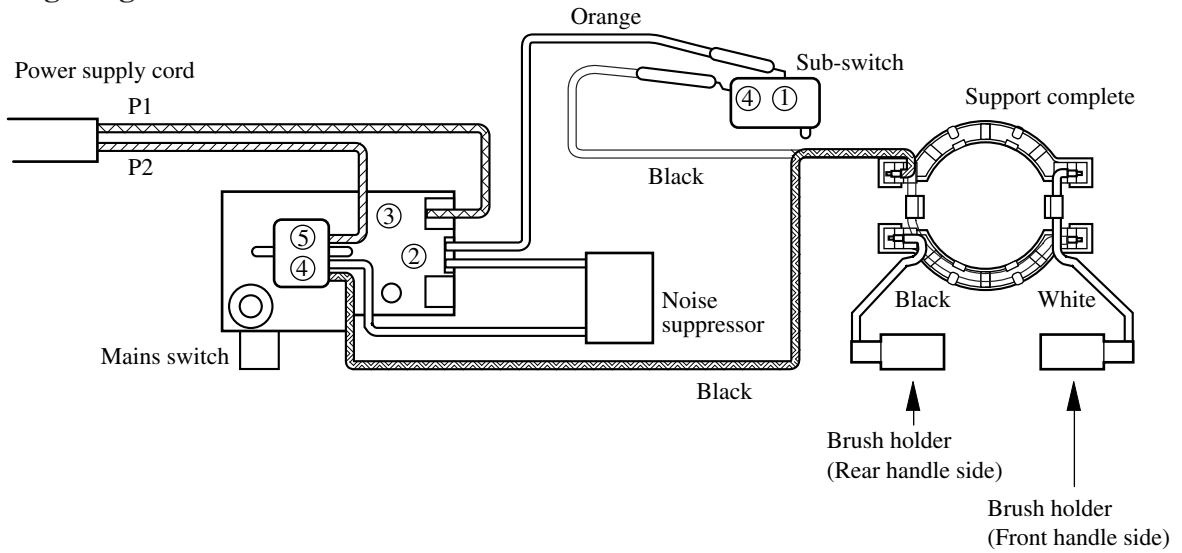


#### 6. Replacement of brake band

- 1) Release the brake as the same procedures as 5-1 above.
- 2) Before replacing the brake band, insert link plate complete to the brake band hole and mount it on the bearing holder.
- 3) Confirm that the claws of the brake band and those of the brake ring are positioned as shown in the figure below.



## ▶ Wiring diagram



## ▶ Details of wiring

