

**Models No.** ▶ T1022D/DW

**Description** ▶ Cordless Stapler

## CONCEPTION AND MAIN APPLICATIONS

Cordless Staplers were developed to increase the maneuverability and portability of conventional air or electric staplers.

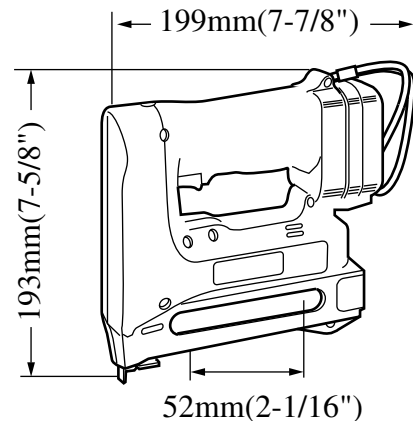
These Cordless Staplers can travel with you right to the job, no matter how far you may be from the power source.

Models T422D and T1022D are sold with a battery cartridge 9100 but without a fast charger.,

Models T422DW and T1022DW includes a battery cartridge 9100 and a fast charger DC9700.

Models T422D/DW are for 4mm(5/32") crown staples.

Models T1022D/DW are for 10mm(3/8") crown staples.



### ► Specifications

<b>DC Magnet Motor (9.6V)</b>		
		44mm (1-3/4")
<b>Applicable Staple</b>	Width	4mm (5/32") for Models T422D/DW 10mm (3/8") for Models T1022D/DW
	Length	10mm (3/8"), 13mm (1/2"), 16mm (5/8") for both hard and soft materials 19mm (3/4"), 22mm (7/8") for soft material only
<b>Magazine Capacity</b>		100pcs.of staples
<b>Net Weight</b>		1.7kg (3.7lbs)

### ► Standard equipment

Plastic Carrying case (Model T422DW and T1022DW only)

### ► Optional accessories

Staple 410, 413, 416, 419, 422 (for Model T422D/DW)

Staple 1010, 1013, 1016, 1019, 1022 (for Model T1022D/DW)