

T ECHNICAL INFORMATION



New Tool

Models No. ▶ SR2600

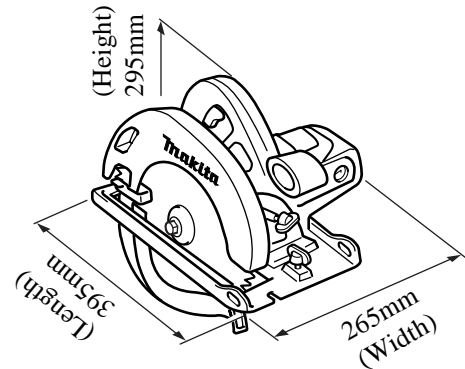
Description ▶ MAKITA 260mm circular saw

CONCEPTION AND MAIN APPLICATIONS

This is the Circular saw equipped with the living knife, developed as the circular saw of SR-series for European market.

The cutting depth adjustment system which is simply with vertical up and down has been adopted.

The chip saw blade of outer diameter 266 mm is mounted as the standard accessory.



▶ Specifications

Voltage (V)	Current (A)	Cycle (Hz)	Continuous rating		Max. Output(W)
			Input (W)	Output (W)	
220	9.1	50-60	1,900	1,300	2,400

Rotation 4,000/min.

(Outer dia.) 266mm x (Thickness) 1.8mm x (Inner dia.) 25mm

Max. cutting depth : 100 mm, Min. cutting depth : 35 mm

Max. cutting depth in 45° bevel cutting : 70 mm

▶ Standard equipment

Parallel guide

Box wrench

Chip saw blade 266(No.266-11) - mounted on the body.

▶ Optional accessories

Joint(Adapter for collecting cutting chips)

Combination saw blade 260

Cross-cut saw blade

Combination saw blade 260

Note) The max. cutting depth will be 97 mm for circular saw 260 mm.

▶ Repair

Although general cautions in repairing this equipment are almost same as the ones for normal circular saw, check the following points.

(Cautions)

- 1) Make sure that the living knife and saw blade are in a straight line when the saw blade and the living knife are mounted.
- 2) Check if the safety cover can smoothly move while the living knife is being mounted.