

T ECHNICAL INFORMATION



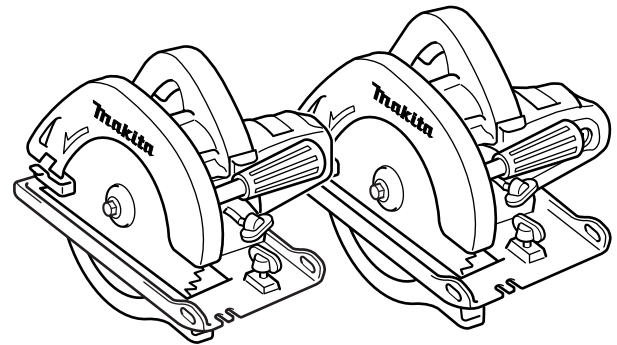
Models No. ▶ SR2100

Description ▶ 210 mm Circular Saw
235 mm Circular Saw

CONCEPTION AND MAIN APPLICATIONS

This equipment with competitive price and popular type, has been developed as the series version of the SR1600 and SR1800, and two circular saw models with 210 mm and 235 mm in blade diameters available.

It is composed of the double insulation structure and the living knife for preventing the kick-back. The right angle up/down system for adjusting the cutting depth provides the constant gripping angle for the body.



Model SR2100

Model SR2300

▶ Specifications

		Model SR2100	Model SR2300
Voltage		Single-phase 100V	
Current		15A	
Cycle		50-60Hz	
Continuous rating	Input (W)	1.400 W	
	Output (W)	870W	
Max. output		1,700W	
Rotation per minute		5,200/min.	4,400/min.
Saw blade diameter		210 mm(15.88 mm in inner dia.)	235 mm(15.88 mm in inner dia.)
Max. Cutting depth	90 °	Max 75 mm(Min. 19 mm)	Max 84.5 mm(Min. 28.5 mm)
	45 °	55mm	61mm
Overall length(size)		320 mm	370 mm
Power supply cord		2.5m	
Net weight		5.7kg	6.3kg
Insulation class		Double insulation structure	

▶ Accessories

• Model SR2100

Standard equipment : Parallel guide(one piece), Box wrench 13(one piece)
Optional accessories : Combination saw blade 210(Mounted on the body)

• Model SR2300

Standard equipment : Parallel guide(one piece), Box wrench 13(one piece)
Optional accessories : Combination saw blade 235(Mounted on the body)

The standard equipment for the tools shown may differ form country to country.