

T ECHNICAL INFORMATION



PRODUCT

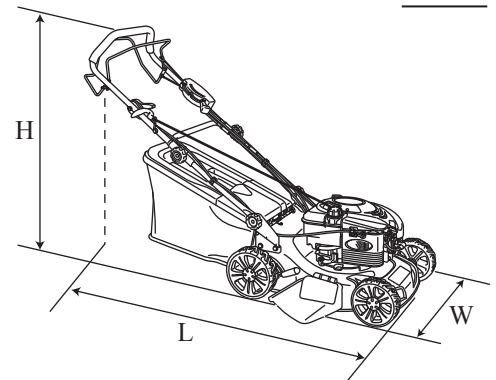
P 1 / 1

- Model No.** ▶ PLM5102
- Description** ▶ Petrol Lawn Mower
510mm (20")

CONCEPT AND MAIN APPLICATIONS

Petrol Lawn Mower PLM5102 is the high end model of Makita Lawn mowers with steel deck.
Its main features are:

- 510mm (21") cutting width
- 8" front wheel and 11" rear wheel for extra maneuverability
- Original aesthetic design of Makita garden tools
- Side discharge and Mulching function
- Easy-to-grip, large ø65mm handle locking knobs.



Dimensions: mm (")	
Length (L)	1,600 (63)
Width (W)	540 (21-1/4)
Height (H)	1,040 (41)

► Specification

Specifications	Model	PLM5102
Starting system		Recoil
Engine	Model	Briggs & Stratton 675 RS
	Primer- and choke-less	Yes
Displacement: cc		190
Material of deck		Steel
Recommended mowing area: m ²		2,200
Deck width: mm (")		530 (21-7/8)
No load speed: rpm= min ⁻¹		2,810
Cutting width: mm (")		510 (20)
Offset blade layout		Yes
Mulching function*1		Yes
Side discharge*2		Yes
Adjustable handle bar [stage]		Yes [3]
Self-propelled [Speed: km/h]		Yes [3-speed: 3.0/ 3.8/ 4.5]
Grass box capacity: L		70
Cutting-height adjust	Single-lever adjustment	Yes
	Adjustment range: mm (") [stage]	23, 34, 48, 62, 75 (7/8, 1-5/16, 1-7/8, 2-7/16, 2-15/16) [5]
Wheel base: mm (")		580 (22-3/4)
Wheel	Circumference [front / rear]: inch	8 / 11
	Material of tread	Nitrile rubber
	Material of center	Plastic
Ball bearing wheel		Yes
Dry weight: kg (lbs)		37.8 (83.3)

*1 Automatically cuts the collected cut grass into fine grass particles with a revolving blade in a built-in cutting clamber, then spreads them over the lawn as natural moisturizer and fertilizer.

*2 Discharges cut grass directly from the side mouth of the machine.

► Standard equipment

- Mulching plug 1
- Side discharge mouth 1

Note: The standard equipment for the tool shown above may vary by country.

► Optional accessories

No