

# TECHNICAL INFORMATION

**Models No.** ▶ MT064, MT065

**Description** ▶ Cordless Driver Drill 14.4V / 18V

## CONCEPTION AND MAIN APPLICATIONS

The above products have been added to MAKTEC series.

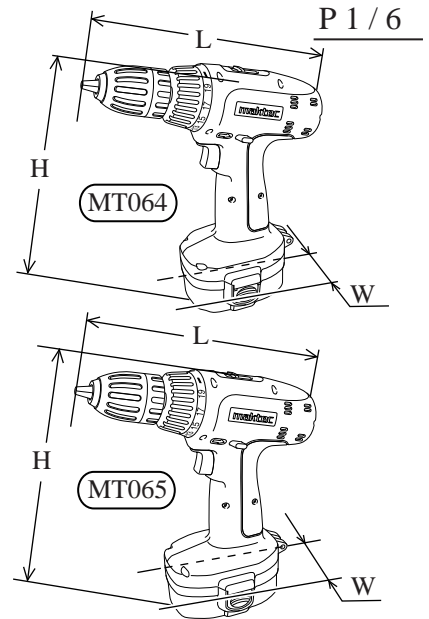
Their brief benefits and features are;

- \* 2 speed and variable speed control
- \* Less expensive, but service life is long as the existing model.
- \* Easy to repair construction

Listed below are variations of MT064 and MT065

Model No.	Items included as a set
MT064SK	Ni-Cd Battery 1450 x 1 pc.
MT064SK2	Ni-Cd Battery 1450 x 2 pcs.
MT065SK	Ni-Cd Battery 1850 x 1 pc.
MT065SK2	Ni-Cd Battery 1850 x 2 pcs.

Charger DC1850



Dimensions : mm ( " )		
Model No.	MT064	MT065
Length ( L )	214 (8-3/8)	225 (8-7/8)
Height ( H )	249 (9-3/4)	255 (10)
Width ( W )	94 (3-11/16)	95 (3-3/4)

## ► Specification

Model No.		MT064	MT065
Voltage ( V )		14.4	18
No load speed : (min <sup>-1</sup> = rpm)	High	0 - 1300	0 - 1300
	Low	0 - 400	0 - 400
Keyless chuck		Yes	Yes
Chuck ability : mm ( " )		0.8 - 10 (1/32 - 3/8)	2.0 - 13 (1/16 - 1/2)
Capacities	in Steel : mm ( " )	10 (3/8)	13 (1/2)
	in Wood : mm ( " )	25 (1)	28 (1-1/8)
	Screw : mm ( " )	6.0 x 75 (1/4 x 2-15/16)	6.0 x 75 (1/4 x 2-15/16)
Max. fastening torque	Hard joint	28N.m (286 kgf.cm) (248 in.lbs)	30N.m (306 kgf.cm) (266 in.lbs)
	Soft joint	15N.m (153 kgf.cm) (133 in.lbs)	16N.m (163 kgf.cm) (142 in.lbs)
Reverse switch		Yes	Yes
Electric brake		Yes	Yes
Torque adjustment		19 stages + drill mode	19 stages + drill mode
Net weight : kg (lbs)		2.0 (4.4)	2.2 (4.8)

## ► Standard equipment

- \* Battery cover ..... 1 pc. (For MT064SK and MT065SK)
- \* Battery cover ..... 2 pcs. (For MT064SK2 and MT065SK2)
- \* Plastic carrying case ..... 1 pc.

< Note > The standard equipment for the tool shown may differ from country to country.

## ► Optional accessories

- \* Battery 1450 for MT064
- \* Battery 1850 for MT065
- \* Charger DC1850

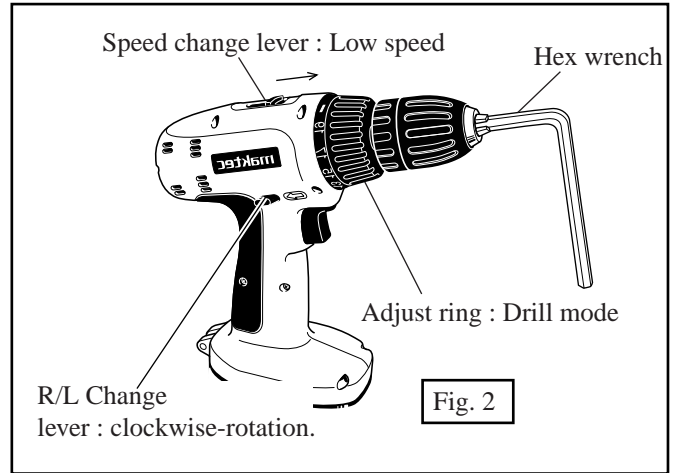
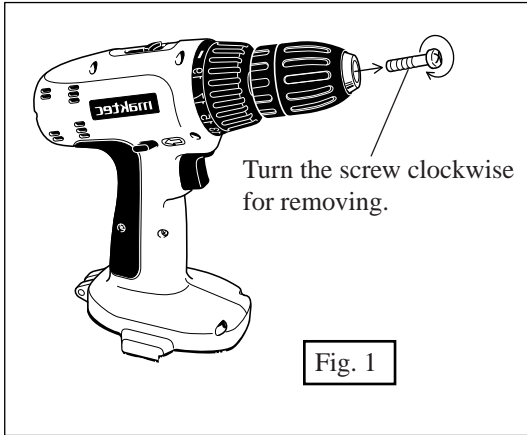
< 1 >Disassembling drill chuck

( 1 ) After removing battery from the machine, open the three jaws of drill chuck fully. And then, remove the screw by turning clockwise. If it is difficult to unscrew, employ impact driver. See Fig. 1.

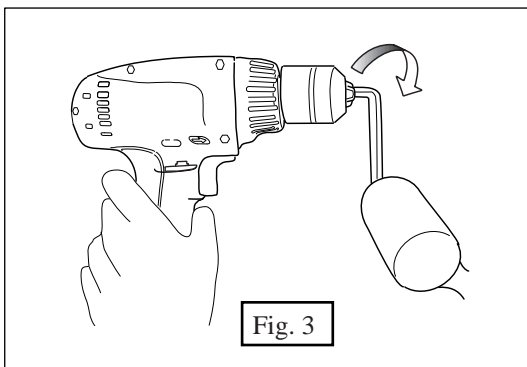
( 2 ) Attach hex wrench to the drill chuck. Select the working mode as follows.

- \* Drill mode
- \* Low speed mode
- \* Rotating direction : Clockwise

See Fig. 2.

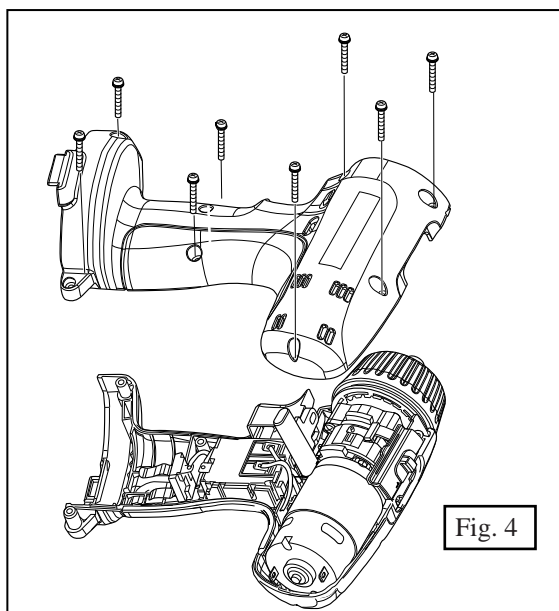


( 3 ) Hold the machine on the working table firmly, turn drill chuck clockwise by striking the inserted hex wrench with plastic hammer. see Fig. 3. Then, drill chuck can be removed from the machine.

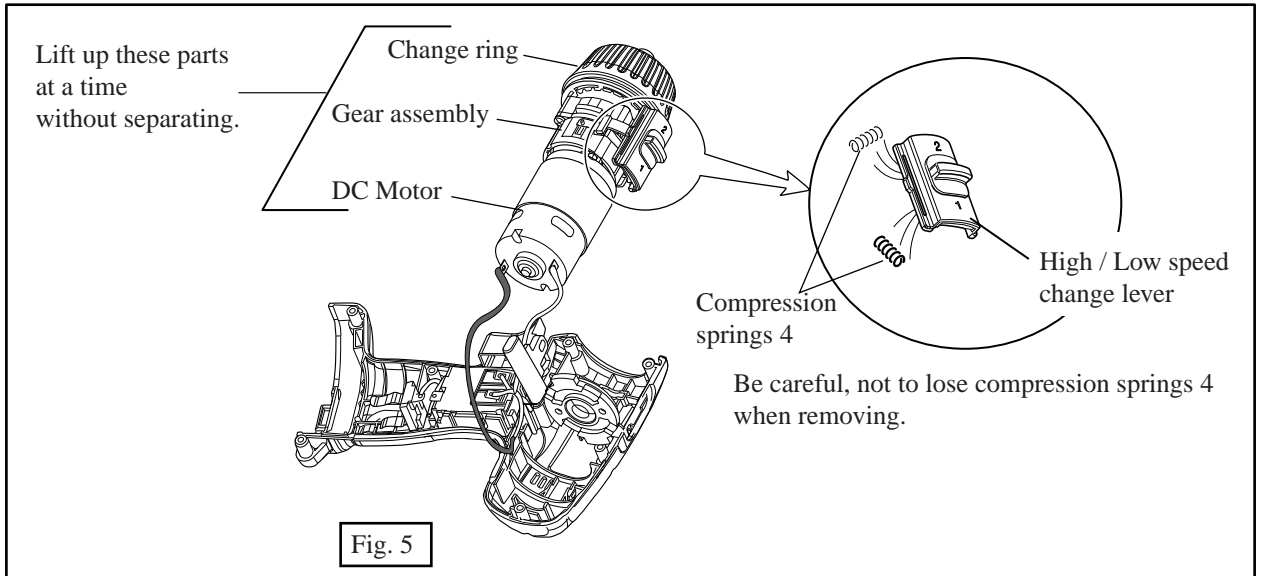


< 2 >Disassembling gear assembly and motor

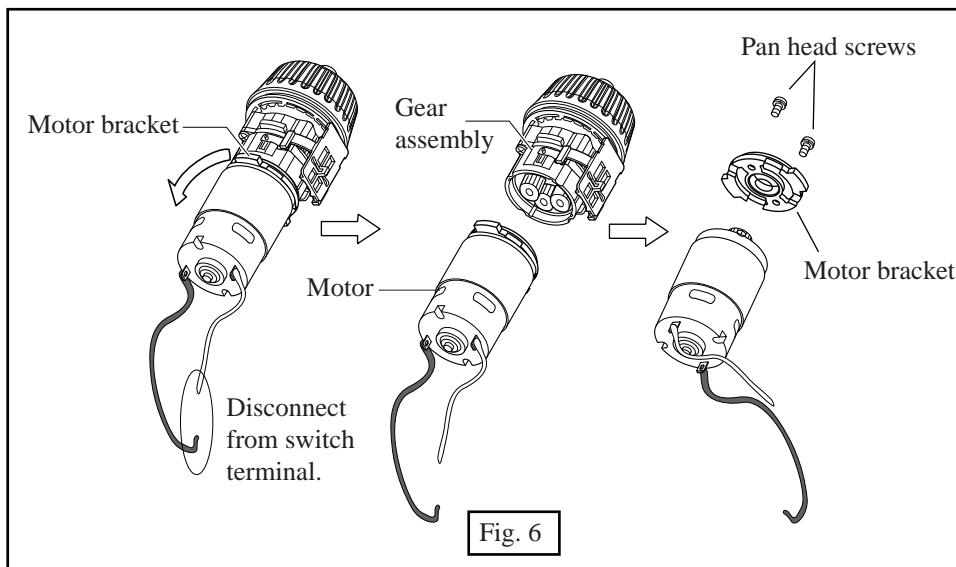
( 1 ) After removing drill chuck as illustrated in Fig. 1, Fig. 2 and Fig. 3, separate housing L from housing R, by unscrewing 8 pcs. of pan head screws. See Fig. 4.



( 2 ) Remove gear assembly and motor from housing R by lifting up change ring, gear assembly and motor at a time. And remove High / Low speed change lever from gear assembly. See Fig. 5.

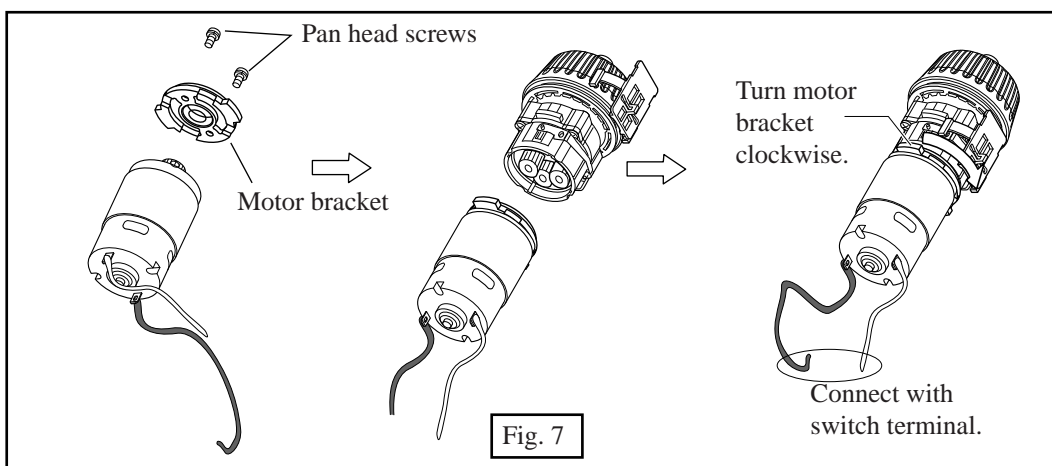


( 3 ) By turning motor bracket anti-clockwise remove motor from gear assembly. And remove motor bracket from motor by unscrewing 2 pcs. of pan head screws. Then, motor (old one) can be replaced with new one. See Fig. 6.

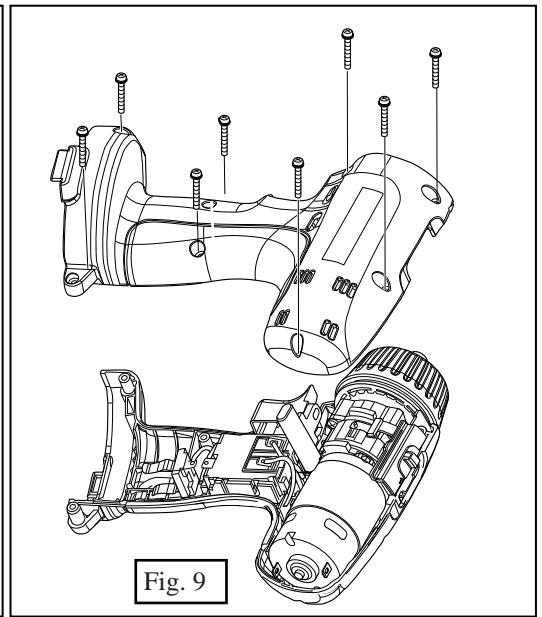
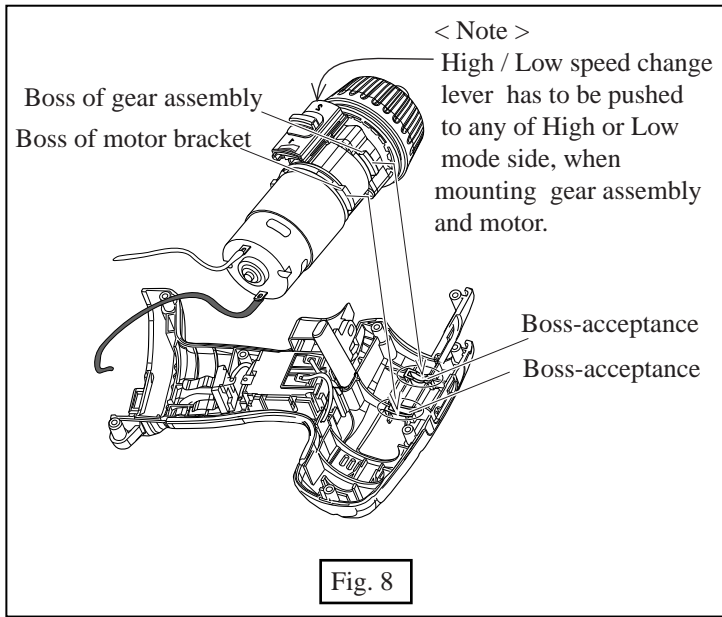


< 3 > Assembling gear assembly and motor

( 1 ) Mount motor bracket to motor by fastening with pan head screws. Then, mount the motor to gear assembly and turn motor bracket clockwise for securing motor to gear assembly. See Fig. 7.

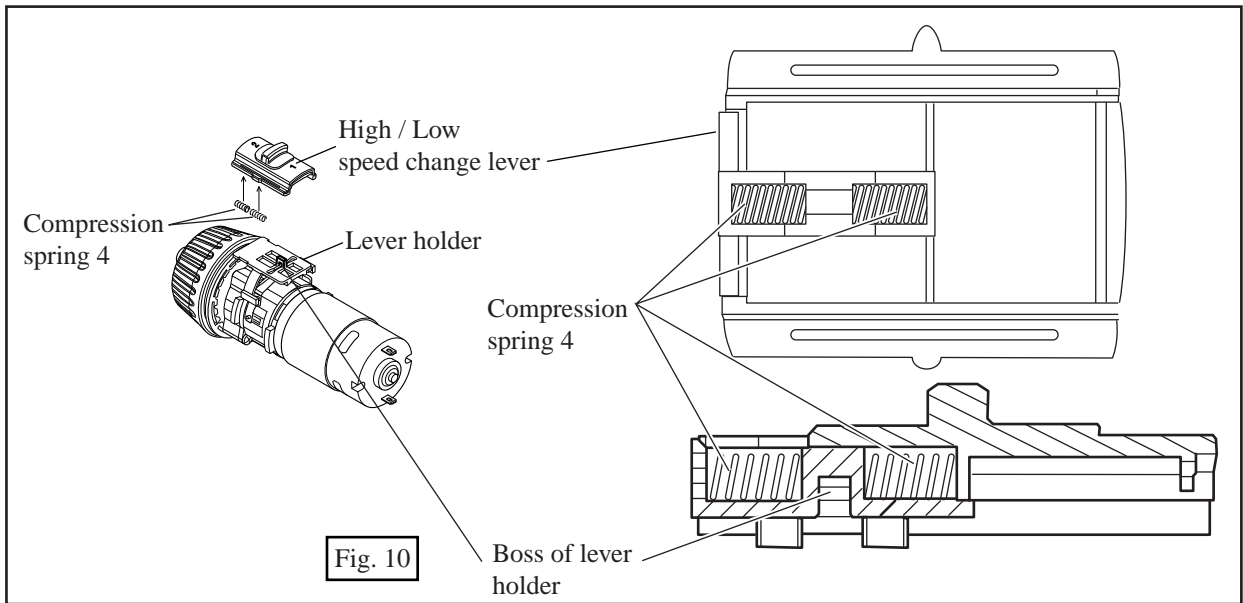


- (2) Mount the gear assembly and motor to housing R with aligning the bosses of motor bracket and gear assembly with the boss-acceptances of housing R, See Fig. 8.
- (3) Mount housing L and secure it with 8 pcs. of pan head screws. See Fig. 9.



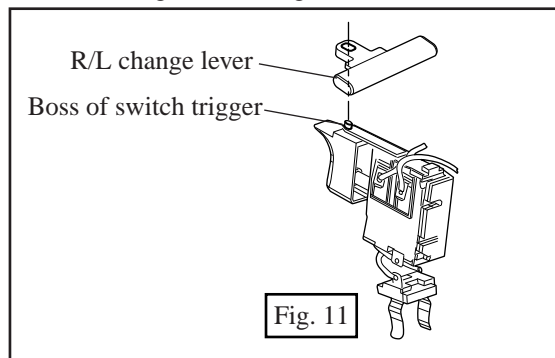
< 4 > Assembling High / Low speed change lever

Mount compression springs 4 to High / Low speed change lever. And mount the H / L speed change lever to lever holder. See Fig. 10.



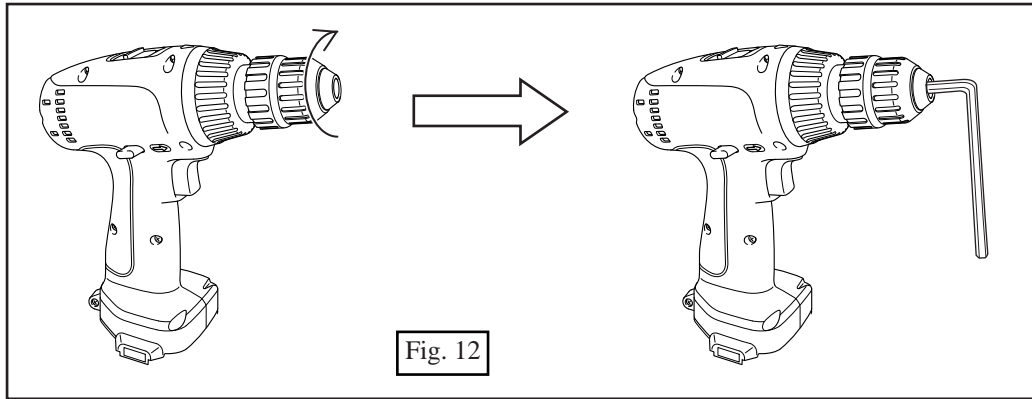
< 5 > Mounting R/L change lever (Lever for reverse switch)

Mount R / L change lever with aligning the hole of the lever with the boss of switch trigger. And then, mount the switch to housing R. See Fig. 11.



< 6 > Mounting drill chuck

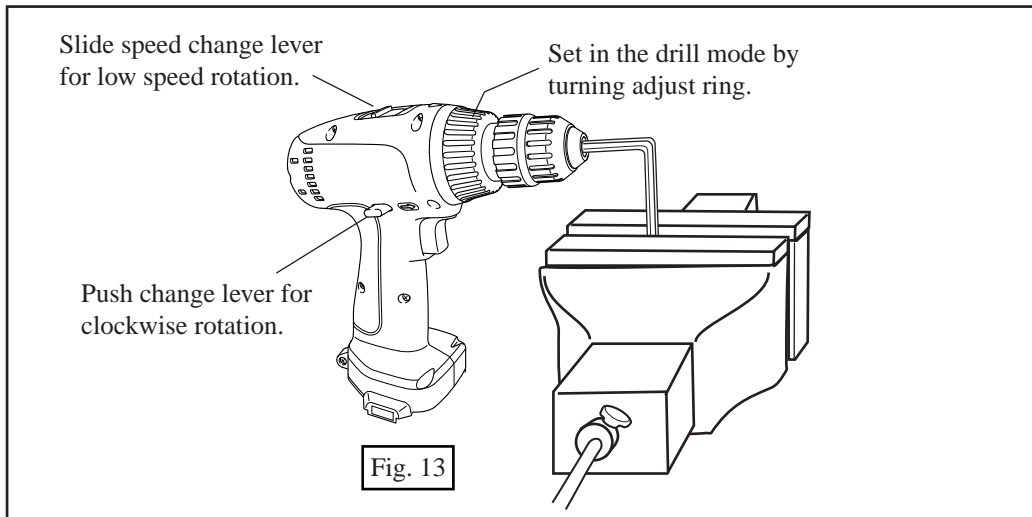
- (1) Temporarily mount drill chuck to spindle portion of gear assembly by screwing it toward the neck of spindle.  
And then, grip hex wrench with the drill chuck firmly. See Fig. 12.



- (2) Hold the machine with vise, and set the machine as follows.

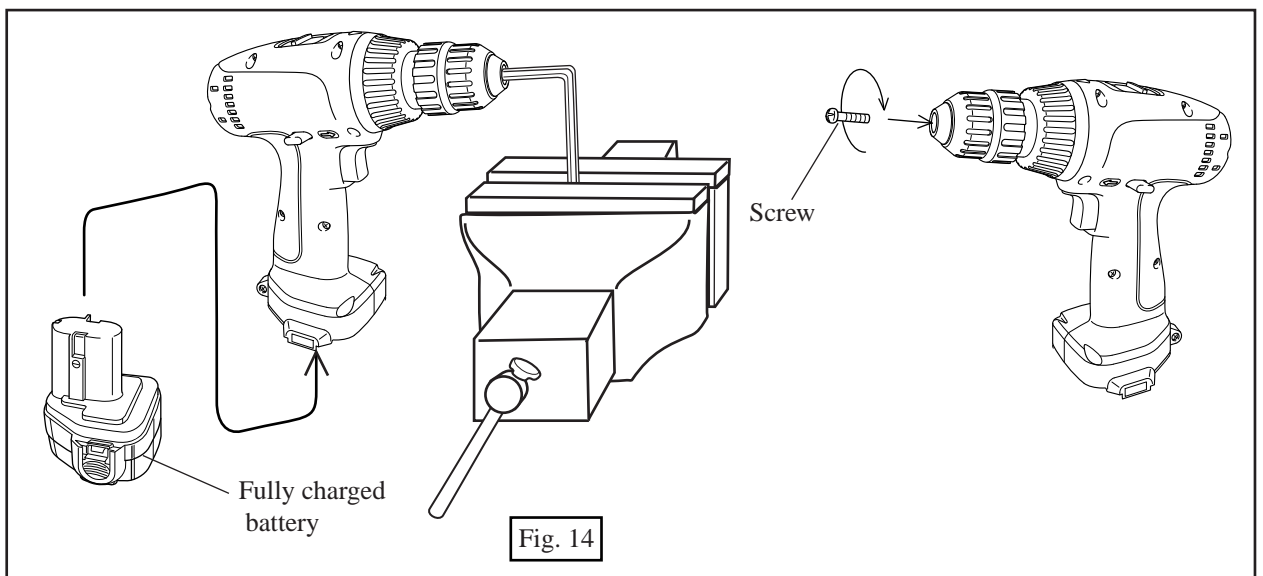
- \* Working mode : Drill mode
- \* Speed change lever : Slide for low speed rotation
- \* Change lever : Push for clockwise rotation

See Fig.13.





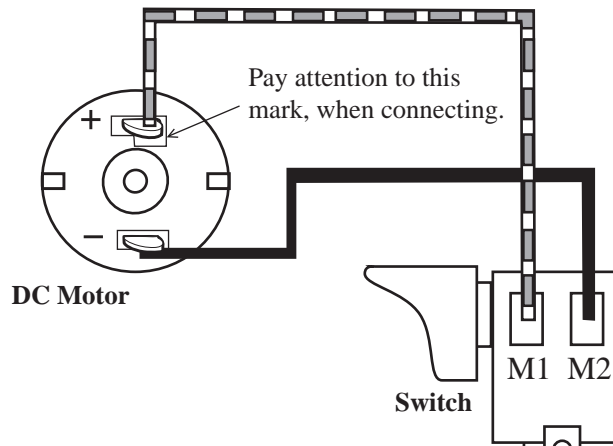
- (3) Attach the fully charged battery to the machine. And holding the machine with your hand firmly, rotate the machine by pulling the trigger fully for approx. 1 second to fasten drill chuck to the spindle firmly.  
See Fig. 10.

- (4) Secure the drill chuck with screw by turning clockwise. See Fig. 14.



## ▶ Circuit diagram

Color index of lead wires	
Black	
Red	



## ▶ Wiring diagram

Connect the lead wires (red and black) to DC motor from the housing R side. See Fig. 15.

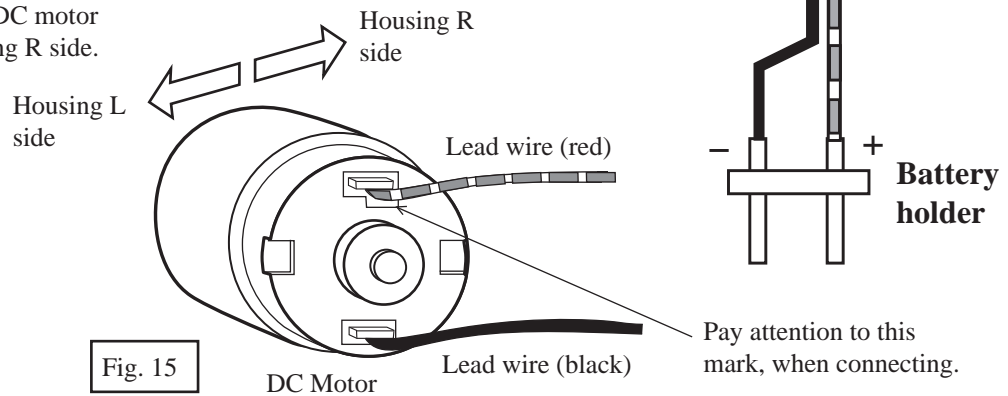


Fig. 15

