

TECHNICAL INFORMATION



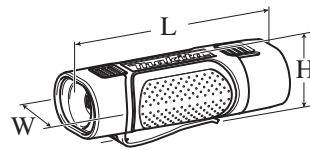
PRODUCT

P 1 / 3

Models No. ▶ ML704
ML705

Description ▶ 7.2V Rechargeable Flashlight
7.2V Rechargeable Grab Light

**ML704/
ML705 (light section only)**



Dimensions: mm (")	
Length (L)	115 (4-1/2)
Width (W)	46 (1-13/16)
Height (H)	40 (1-9/16)

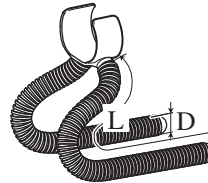
CONCEPT AND MAIN APPLICATIONS

Models ML704 and ML705 are rechargeable flashlights powered by 7.2V Li-ion battery of stick cartridge type (Battery BL7010).

Features lightweight palm-sized design with belt clip for carry convenience.

ML705 additionally features Flexible leg; by attaching Flexible leg to the light, the light can be set on or fixed at various locations for hands-free lighting.

Flexible leg



Dimensions: mm (")	
Length of leg (L)	238 (9-3/8)
Diameter of leg (D)	20 (13/16)

These models do not come with battery and charger.

Note:

- 1) 10.8V Models are also available as ML100 (Rechargeable Flashlight) and ML101 (Rechargeable Grab Light).
- 2) ML705 and ML101 use the same Flexible leg.

► Specification

Specifications		Model No.	ML704	ML705
Battery	Cell		Li-ion	
	Voltage: V		7.2	
	Capacity: Ah		1.0	
	Charging time (approx.): min.		30 with DC07SA	
Light source	Illuminance*: lx		350 or higher	
	Type		1W high luminance single LED	
Flexible leg			No	Yes
Housing color			Makita-blue	
Continuous use (approx.): minutes			300	
Overdischarge protective circuit			Yes	
Rubberized soft grip			Yes	
Net weight: kg (lbs)	without battery BL7010		0.06 (0.13)	0.13 (0.29)
	with battery BL7010		0.17 (0.38)	0.24 (0.53)

* at 1m in front of the light source

► Standard equipment

No

► Optional accessories

Leg assembly (Flexible leg)

Battery BL7010, Charger DC07SA, Charger DC10WA

► Repair

CAUTION: Remove the battery from the machine for safety before repair/ maintenance in accordance with the instruction manual!

[1] NECESSARY REPAIRING TOOLS

Code No.	Description	Use for
1R288	Screwdriver Magnetizer	Removing / tightening 2x16 Tapping screw
—	No.1 Phillips screwdriver	

[2] LUBRICATIONS

No need to lubricate.

[3] DISASSEMBLY/ASSEMBLY

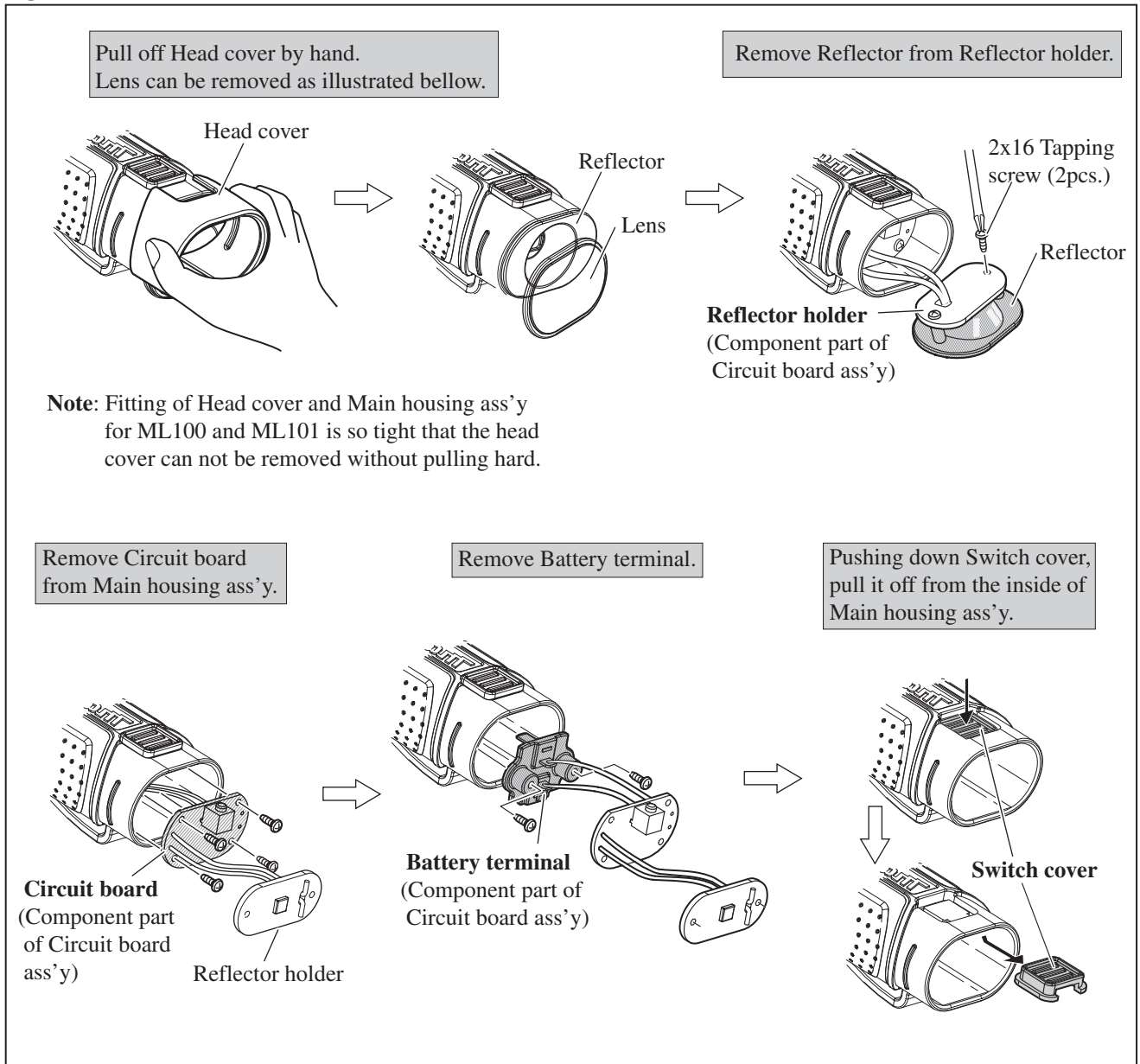
[3]-1. Main Housing Assembly

DISASSEMBLING

Take the disassembling step as illustrated in **Fig. 1**.

Note: Magnetize a No.1 Phillips screwdriver with 1R288 in advance to handle 2x16 Tapping screws easily.

Fig. 1



► **Repair**

[3] DISASSEMBLY/ASSEMBLY

[3]-1. Main Housing Ass'y

ASSEMBLING

- (1) Assemble the parts in the following order.
 1. Switch cover, 2. Battery terminal, 3. Circuit board Refer to **the lower illustrations in Fig. 1**
- (2) Fasten Reflector to Reflector holder with 2x16 Tapping screw. Refer to **the upper right illustration in Fig. 1**.
- (3) Put Lens onto reflector as illustrated in **Fig. 2R**.
- (4) Head cover for ML704, ML705 is not reversible. So, assemble it as illustrated in **Fig. 3R**.
 In case of ML100, ML101, assemble Head cover as illustrated in **Fig. 3A**.

Fig. 2R

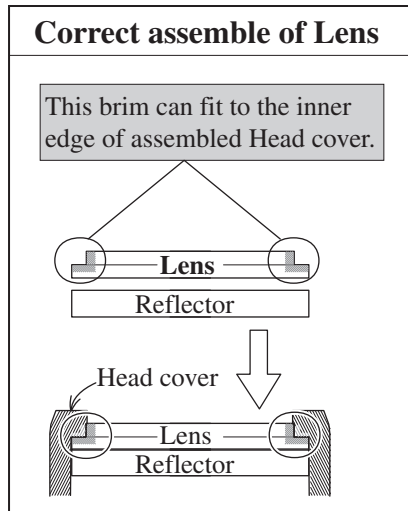


Fig. 2F

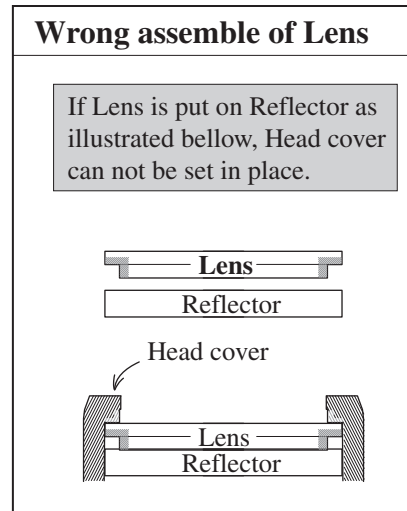


Fig. 3R

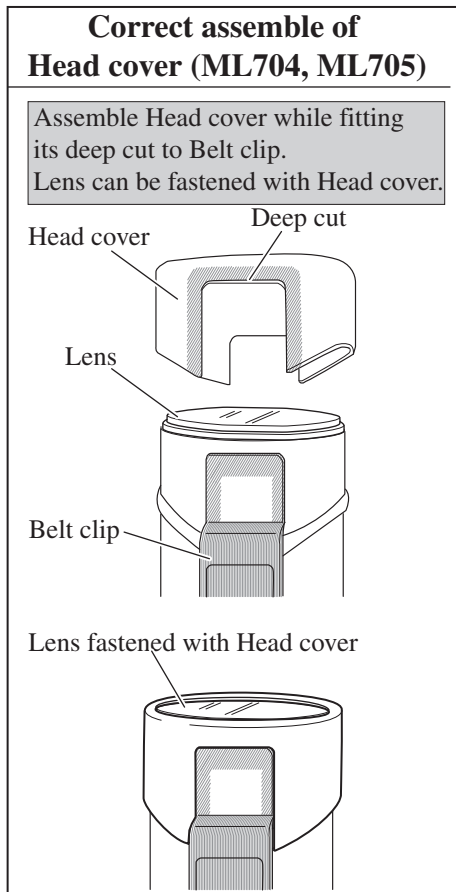


Fig. 3F

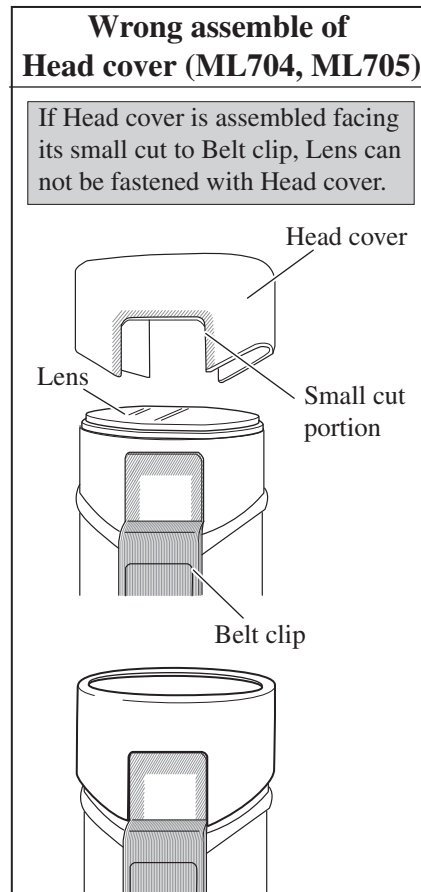


Fig. 3A

