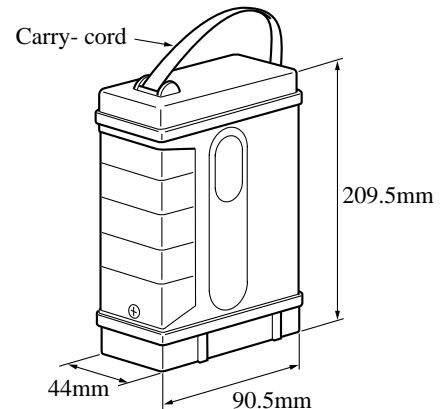


**For Models** ▶ ML701

**Description** ▶ Cordless Fluorescent Light

## CONCEPTION AND MAIN APPLICATIONS

Portable fluorescent light with a power source of Makita battery 7000.  
Makita battery 7000: commonly used in 6010D, 6012D,6710D, 9200D, 9500D, 4071D,DA3000D, UH3000D,ML700 ( The battery is sold separately)



### ► Specifications

<b>Voltage (V)</b>	D.C.7.2(Battery7000)
<b>Current(A)</b>	0.55
<b>Consuming power(W)</b>	4
<b>Continuous lighting time</b>	100 min. after full charging
<b>Illumination</b>	120 lux ( 50m forward )
<b>Using fluorescent lamp</b>	Nominal consuming power 4W (FL4W White)

### ► Standard equipment

Carry-cord( 1m long)

### ► Optional accessory

Makita battery 7000

### ► Repair

Tightening torque of Screws

As Tapping screws are used for the product, do not tighten so much , because Female thread may bebroken if you tighten too strongly. (tightening torque: 5kg.cm)