

# T ECHNICAL INFORMATION



**Models No.** ▶ LS1440

**Description** ▶ 355mm(14") Miter Saw

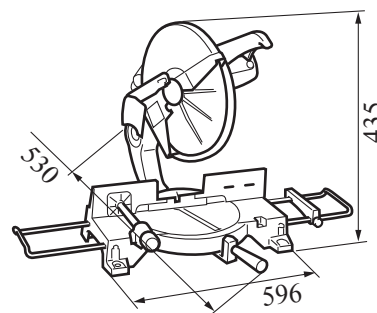
## CONCEPT AND MAIN APPLICATIONS

This model has a link (interlocking) mechanism between handle and safety cover.

As the handle is lowered (cutting starts), the safety cover will automatically open to the optimum angle without touching material.

Other mechanical functions are same as LS1430.

This mode is exclusive for export.



## ▶ Specifications

Voltage (V)	Current (A)	Cycle (Hz)	Continuous Rating (W)		Max. Output (W)
			Input	Output	
100	12	50/60	1130	620	1300
115	12	50/60	1380	750	1800
200	7	50/60	1380	750	1800
220	6.5	50/60	1380	750	1800
230	6	50/60	1380	750	1800
240	6	50/60	1380	750	1800

Main features are same as LS1430.

Max. cutting capacities	at 90°	122mm (4-3/4") x 152mm (6")
	at 45°	122mm (4-3/4") x 115mm (4-1/2")
Overall length (LxWxH)	530mm (20-7/8") x 596mm (23-1/2") x 435mm (17-1/8")	
No load speed	3200/min.	
Net weight	34kg (75lbs)	
Power supply cord	2.5m (8.2ft)	

## ▶ Functions

Applicable saw blade outer diameter -----  $\phi$ 355mm

Max. cutting capacity: Right angle ----- 122mm x 152mm

45 degrees miter cutting ----- 115mm x 122mm

## ▶ Standard equipment

Socket wrench ----- 1

Vice ass'y ----- 1

Dust bag ass'y ----- 1

Holder set ----- 1

## ▶ Repair

When the handle moves heavily, remove dust on the screws. Take off cross-slot pan-head screw M8 on the center of the safety cover, and remove dust on the inside of the ring 10, on the cross-slot pan-head screw, and on the flat washer 8. Then coat some lubricant and tighten screw M8 with a tightening torque of 25 to 30 kg-cm.

