

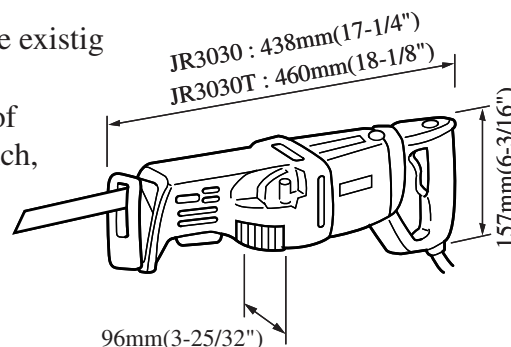
Models No. ▶ JR3030, JR3030T

Description ▶ Recipro Saw

CONCEPTION AND MAIN APPLICATIONS

Model JR3030 is developed as a version up type of the existig model JR3000V.

Model JR3030T is a toolless type of JR3030,(change of saw blade can be made without any tools, such as wrench, screwdriver, etc.)



▶ Specifications

Voltage (V)	Current (A)	Cycle (Hz)	Continuous Rating (W)		Max. Output(W)
			Input	Output	
100	8.0	50/60	760	320	1,100
110	8.0	50/60	870	450	1,100
120	8.0	50/60	870	450	1,100
220	4.3	50/60	900	450	1,100
230	4.1	50/60	900	450	1,100
240	4.0	50/60	900	450	1,100

Max.Cutting Capacity	Pipe	90 mm (3-1/2")
	Wood	90 mm (3-1/2")
Length of Stroke	28 mm (1-1/8")	
Strokes per Minute	0 - 2,600	
Net Weight	3.5 kg (7.7 lbs)	

▶ Standard equipment

- Recipro Saw Blade No.21 (for Steel)
- Recipro Saw Blade No.22 (for Steel)
- Recipro Saw Blade No.23 (for Wood)
- Hex Wrench

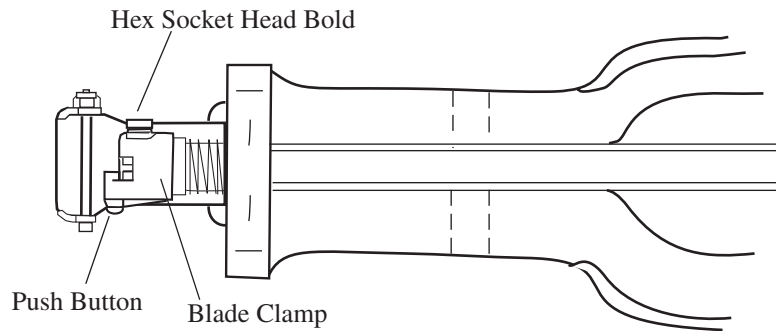
The standard equipment for the tools shown may differ form country to country

▶ Optional accessories

- Recipro Saw Blade No. 21, No. 22, No. 24 (for steel),
- Recipro Saw Blade No.23, 23B (for wood)

► Repair

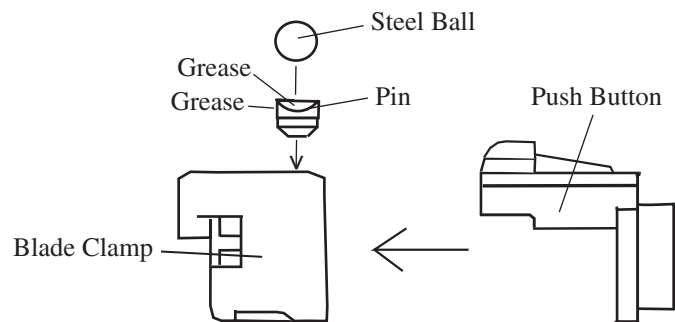
Dismounting of Blade Clamp (JR3030T)



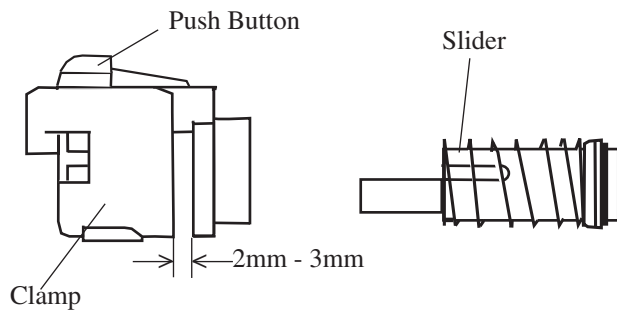
Press the push button, however, not too strong, and then hex socket head bolt can be dismantled.
However, be so carefull that the hex socket head bolt does not spring out.

Mounting of Blade Clamp (JR3030T)

Paste Makita Grease No.1 on the Steel Ball and Pin, and then install them into Blade Clamp.
Mount the Push Button on the above Blade Clamp.



At the mounting of clamp and push button on the slider, keep the distance 2 - 3mm between clamp and push button. so, they can be installed on the slider soothly.

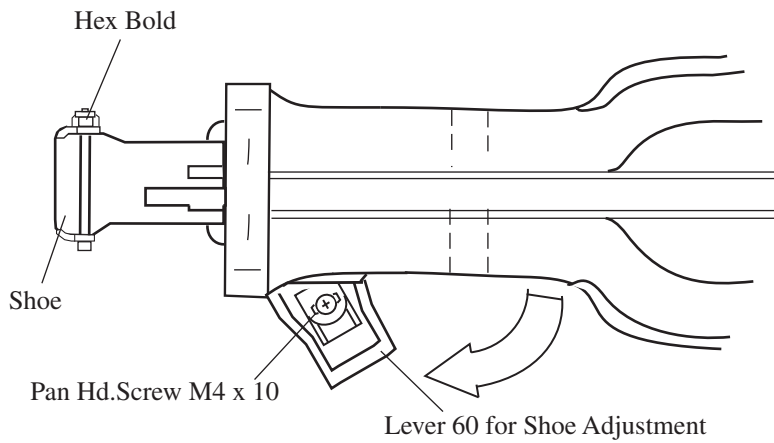


Dismounting of Slider

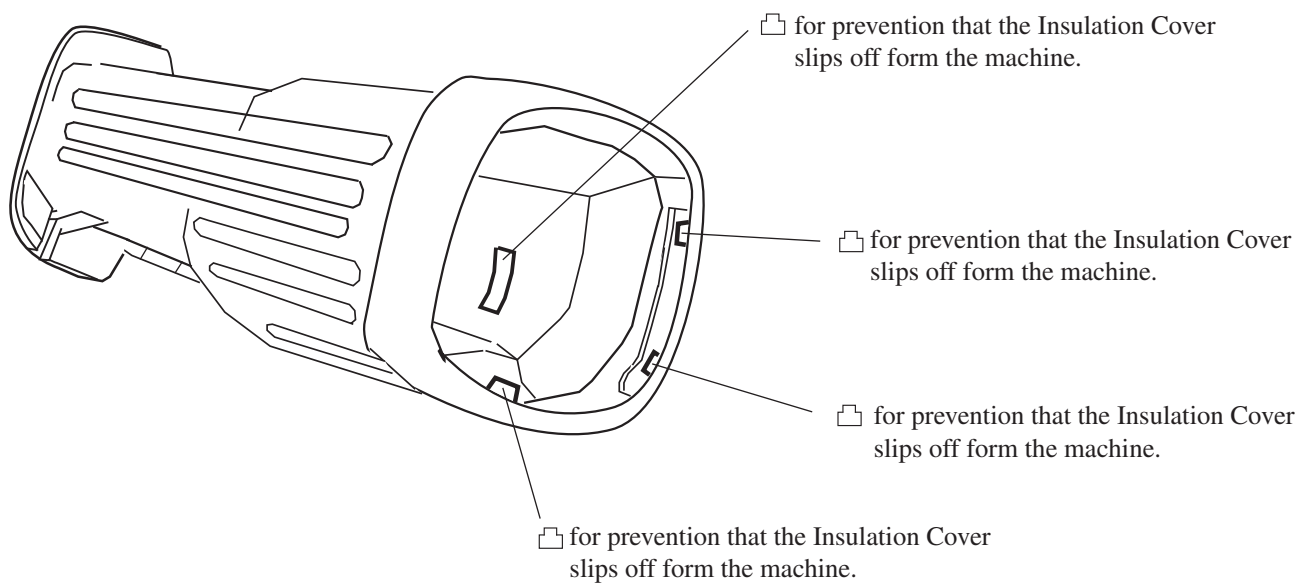
Dismount the Pan Hd.Screw from the back side of the Lever 60 for shoe adjustment.


And then, dismount the Lever 60.

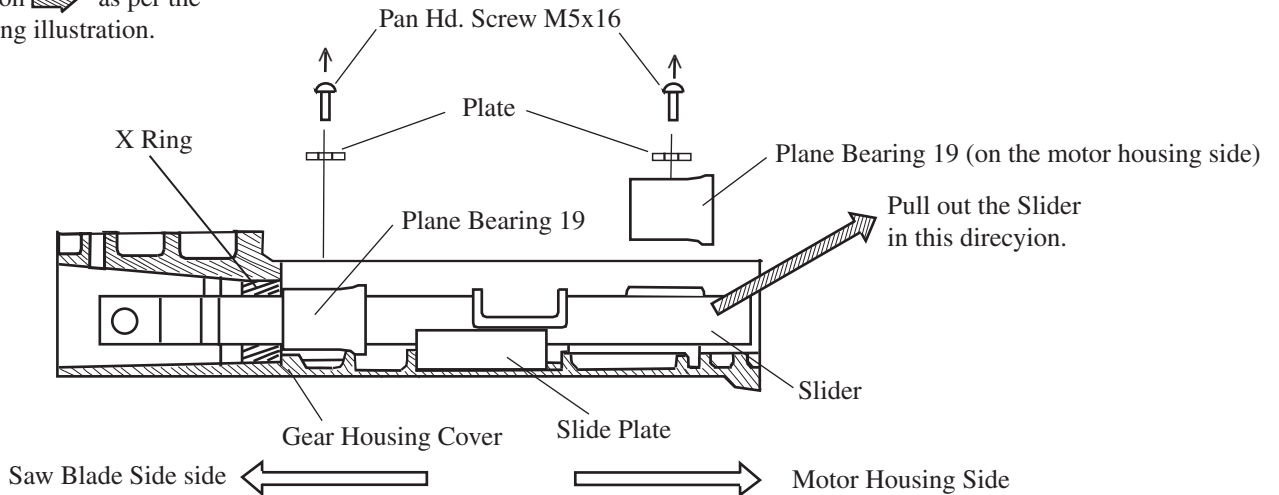
Dismount the Hex Bolt fastening the Shoe, and the Shoe. (Pay attention not to lose the Hex Nut in this process.)



Looes 4 pcs.of Pan H.Screw M5x30. and dismount the Gear Housing Cover after taken off the Insulation Cover. At dismounting of the Insulation Cover , pay attention to ☐ on the Insulation Cover illustrated below.



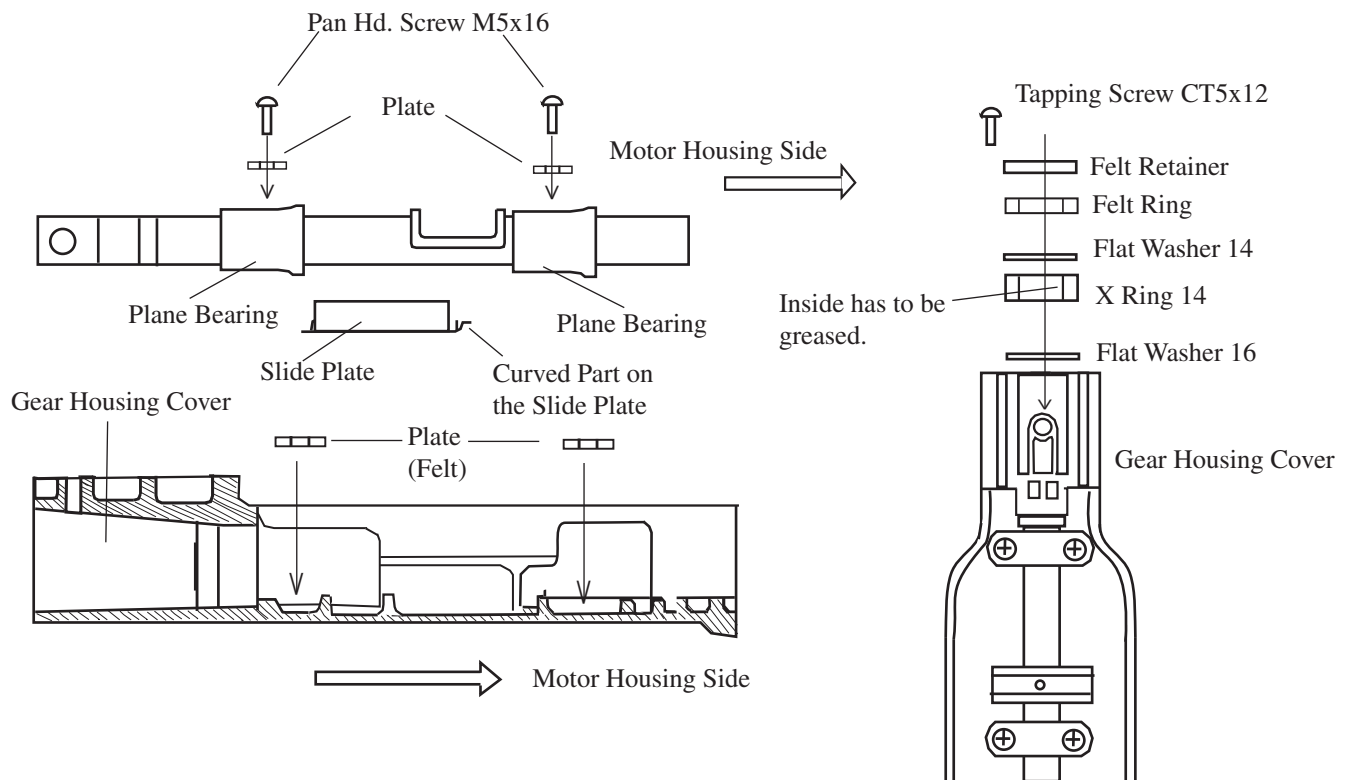
Take off the Pan Hd.Screw fastening the Plane Bearings, and dismount the Plane Bearing on the Motor Housing side from the Slider. After pushing the Slider in the direction of the Motor Housing, pull out the Slider in the direction  as per the following illustration.



Mounting of Slider

Take off the Tapping Screws mounted on the front of Gear Housing Cover, and X Ring etc.
 Dunk the Plate (Felt) and Slide Plate in the machine oil, and put them on the Gear Housing Cover.
 Install the Slider on which the Plane Bearings are instilled in advance, on the Gear Housing Cover, and Fasten it with Pan Hd.Screws together with Plate.
 Install the Flat Washer 14 (thickness:0.5mm) on the front of Gear Housing Cover, and press X Ring together with Flat Washer 14 (thickness:1.0mm) into Gear Housing Cover.
 Install the Felt Ring and Felt Retainer which are dunked in the machine oil in advance, on the front of Gear Housing, and then fasten them with Tapping Screw CT15x12.

Adhesive is pasted on the Pan Hd.Screw M5x16 in advance for prevention against loosening. Use the new one with adhesive, or paste the adhesive on it, if you do not replace with the new Pan Hd.Screw M5x16.
 Inside of X Ring has to be greased in advance.
 Curved part of Slide Plate has to be in the direction of Motor Housing side as per the following illustratoin.
 The sliding part of the Slider has to be greased with 12g of grease N No.1.

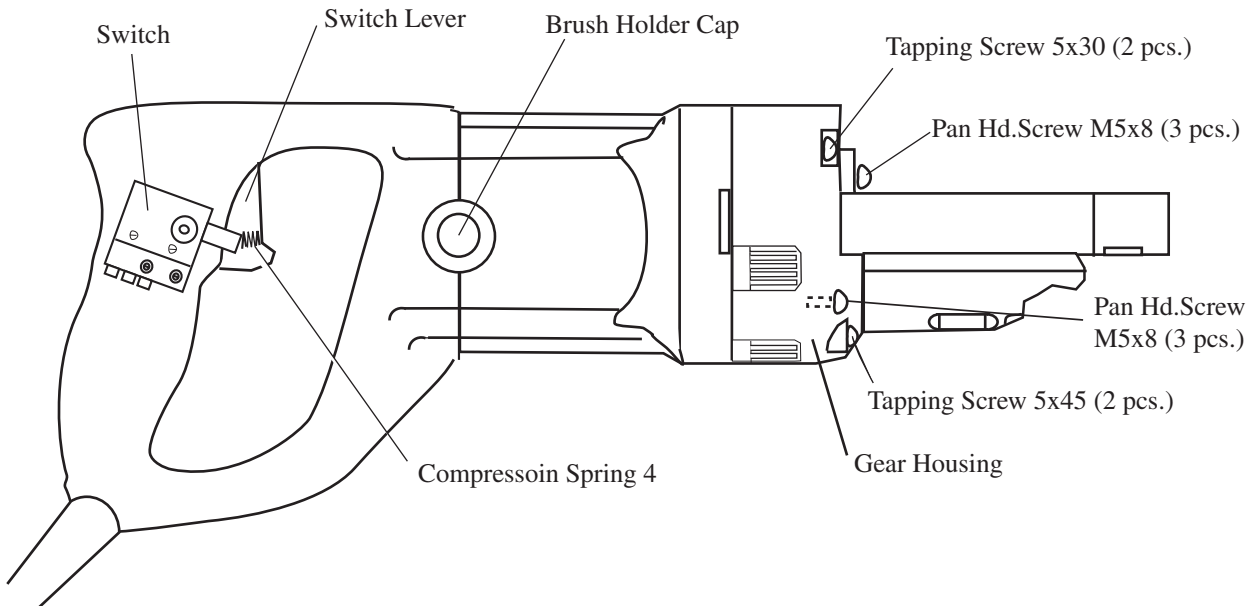


Dismounting of Armature

Dismount Carbon Brushes.

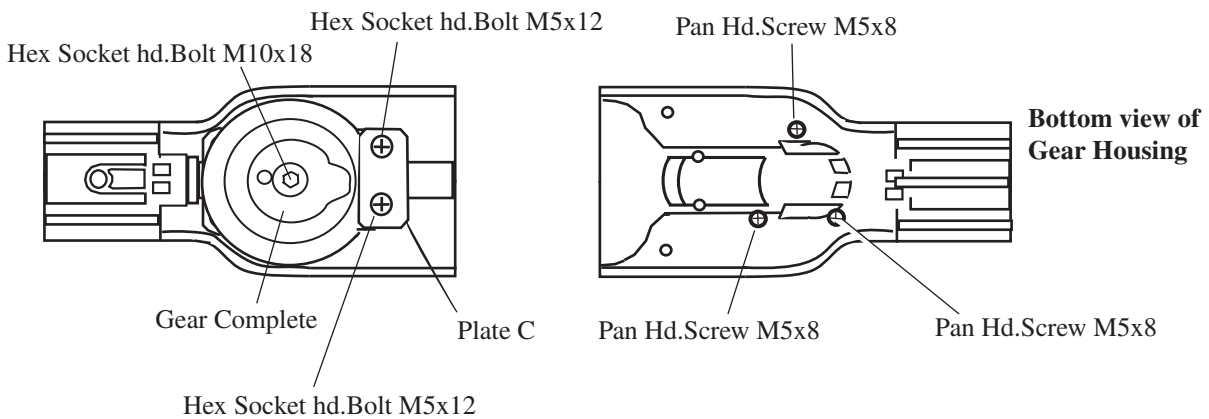
Separate the Motor Housing from the Gear Housing by loosening the Tapping Screw 5x30 (2pcs.) and 5x45 (2 pcs.). Take off Pan Hd.Screw M5x8 (3pcs.). So, Armature can be dismounted from the machine.

Not lose Compression Spring 4 installed between Switch and Switch Lever, at dismounting of Handle section.



Dismounting of Bevel Gear 44

Take off Plate (C) by loosening Hex Socket Hd.Bolt M5 x 12. And then dismount the Gear Complete from Gear Housing by loosening 3 pcs.of Pan Hd.Screw M5 x 8 which are installed on the bottom side of Gear Housing.



Hold the flat section on the Gear Shaft end, and loosen Hex Socket Hd.Bolt M10 x 18. And then, Bevel Gear 44 can be separated from Gear Shaft.

Mounting of Armature and Bevel Gear 44

Bevel Gear and Armature can be installed by taking reverse steps.

Adhesive is pasted on the following parts in advance for prevention against loosening.

*Hex Socket Hd.Bold M10x18 for Bevel Gear 44

*Pan Hd.Screw M5x8 (3 pcs.) for fastening Armature section

Use the new ones with adhesive, or paste the adhesive on them, if you do not replace with the new.screws or bolts.

The Gear section has to be greased with 15g of grease N No.1.

Mounting of Insulation Cover

Insulation Cover can be mounted on the Gear Housing smoothly, if the inside of it is wetted with water.

► Circuit Diagram

The lead wires have to be connected as follows.

