

For Models ▶ HR2413

Description ▶ Rotary Hammer 24mm

CONCEPTION AND MAIN APPLICATIONS

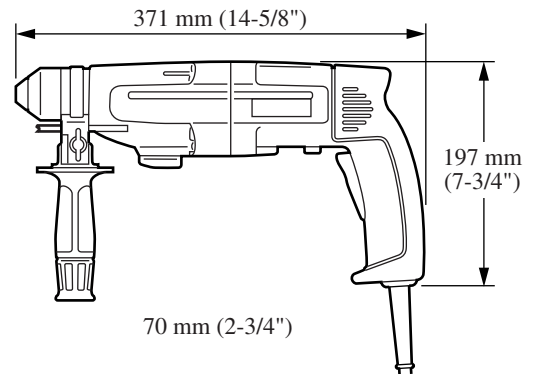
Model HR2413 is sister version of the existing Model HR2410.

HR2413 is the model without reversing switch, which is equipped on HR2410.

Model HR2413 is for SDS-Plus bit only.

Their brief benefit is:

*Bit can be installed by inserting and matching groove.



▶ Specifications

Voltage (V)	Current(A)	Cycle(Hz)	Continuous Rating(W)		Max. output(W)
			Input	Output	
100	6.5	50/60	620	210	580
230	3.1	50/60	680	250	580

No load speed	Rotations per minute	0-1050 rpm
	Blows per minute	0-4900 bpm
Shank Size		10mm(13/32")SDS Puls Bit
Max. drilling capacities	Concrete	24mm(15/16")
	Steel	13mm(1/2")
	Wood	32mm(1-1/4")
Net weight		2.3kg(5.11bs)
Cord length		2.5m(8.2ft)

▶ Standard equipment

Depth Gauge...1pc.

(Note) The standard equipment may differ from country to country.

▶ Optional accesories

T.C.T. Hammer Bit 4.0~24.0mm(5/32"~15/16")

Drill Chunk Ass'y

Chuck Key S13

Holder Driver

Chemical Anchor Adapter

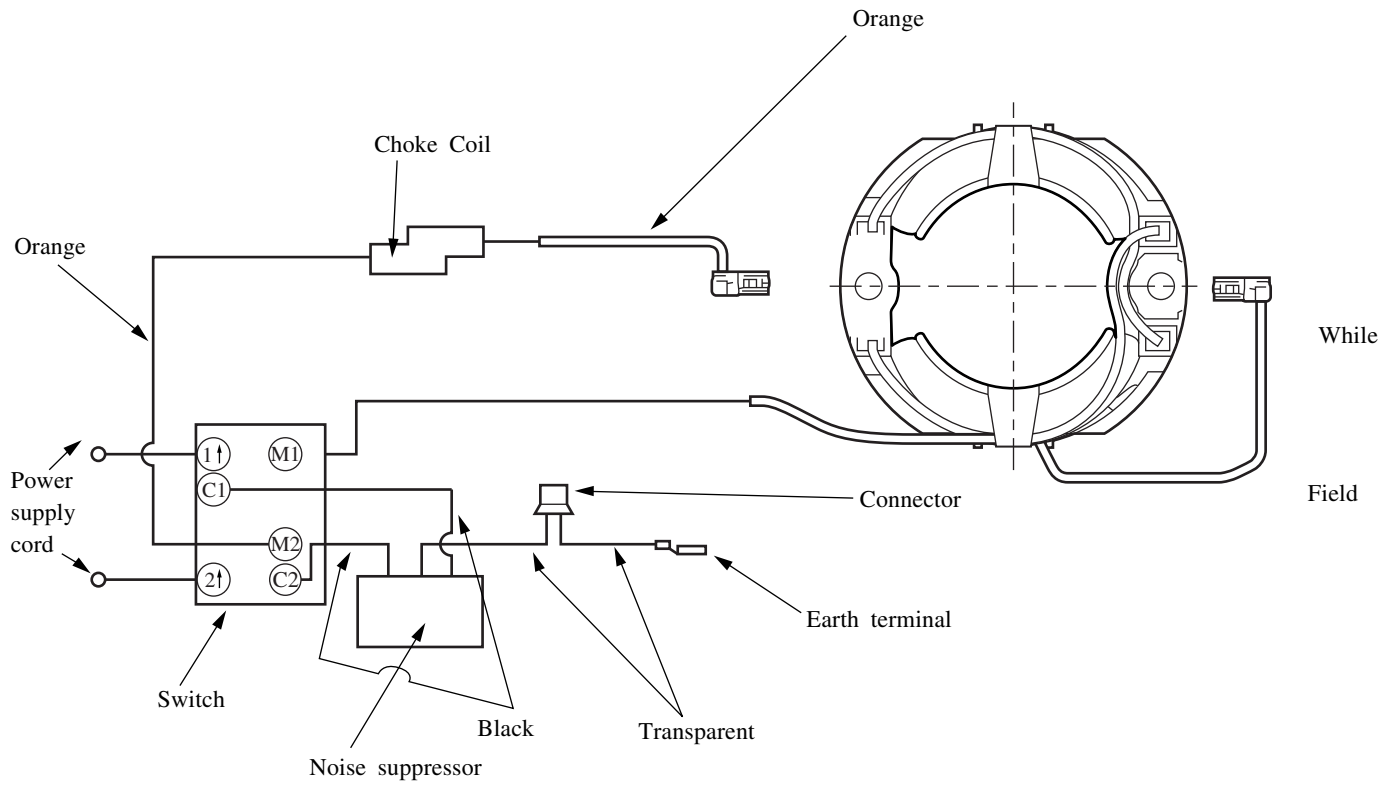
Grease Vessel

Blow-out Bulb

Dust Cup

Dust Collector Ass'y

▶ Wiring diagram



(Note) Choke Coil is not used for all countries.