

TECHNICAL INFORMATION



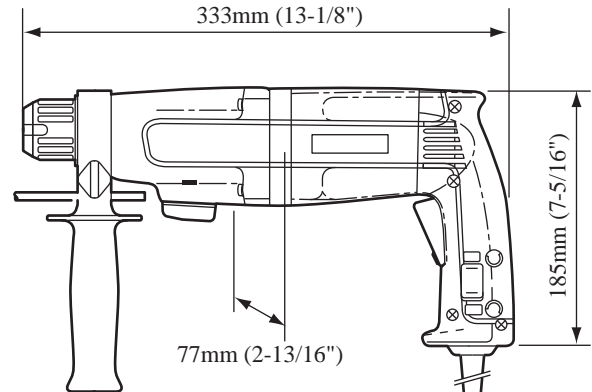
New Tool

Models No. ▶ HR2400

Description ▶ 24 mm (15/16") Rotary Hammer

CONCEPTION AND MAIN APPLICATIONS

Compact, lightweight but powerful rotary hammer with three action modes.



► Specifications

Voltage (V)	Current (A)	Cycle (Hz)	Continuous Rating (W)		Max. Output(W)
			Input	Output	
100	7.0	50/60	660	300	550
115	6.0	50/60	660	280	550
200	4.0	50/60	750	330	550
220	3.6	50/60	750	330	550
230	3.4	50/60	750	330	550
240	3.3	50/60	750	330	550

No Load Speed		0- 1,200 R/min
Blows per Minute		0- 4,200
Capacities	Concrete	24mm (15/16")
	Steel	13mm (1/2")
	Wood	24mm (15/16") for ship auger bits
		38mm (1-1/2") for spade bits
Net Weight		2.4kg (5.3lbs)

► Standard equipment

Depth Gauge, Grip, Steel Carrying Case

► Optional accessories

Various sizes of Tungsten-carbide Bits, Drill Chuck Assembly, Chuck Key, Holder Driver, Chisel Adapter, Bull - Point, Cold Chisel, Anchor Setting Tool, Taper Shank Adapter, Cotter, Bit Grease, Blow-out Bulb, Dust Cup, Dust Extractor Attachment

The standard equipment for the tools shown may differ from country to country