

T ECHNICAL INFORMATION

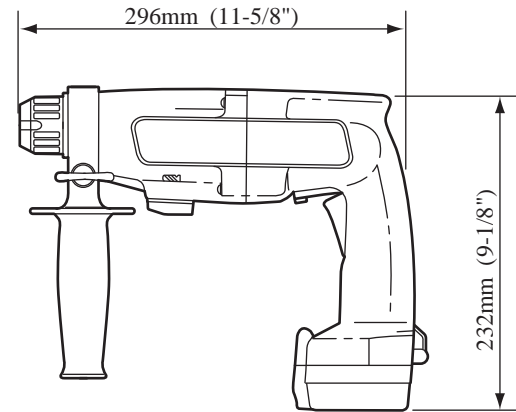


Models No. ▶ HR160D

Description ▶ Cordless Rotary Hammer

CONCEPTION AND MAIN APPLICATIONS

Powerful 12-volt Cordless Rotary Hammer with 3-mode switching (Rotation only, Rotation with Percussion or Percussion only) Model HR160DH is sold with a battery cartridge 1201 but without a fast charger. Model HR160DWH includes a battery cartridge 1201 and a fast charger DC1201.



▶ Specifications

DC magnet motor (12 V)		(12 V)
Capacities	Concrete	16mm(5/8")
	Steel	13mm(1/2")
	Wood	20mm(13/16")
No load speed		0-950 R/min.
Blows per minute		0-3,600
Net weight		2.5Kg (5.5 lbs)

▶ Standard equipment

Depth gauge, Grip, Battery cartridge 1201, Fast charger DC1201 (HR160DWH only), Plastic carrying case (HR160DWH only)

▶ Optional accessories

Various sizes of tungsten-carbide tipped bits, Drill chuck assembly, Chuck key, Holder driver, Chisel adapter, Bull point, Cold chisel, Bit grease, Blow-out bulb, Dust cup, Dust extractor attachment, Taper shank adapter, Cotter