

T ECHNICAL INFORMATION

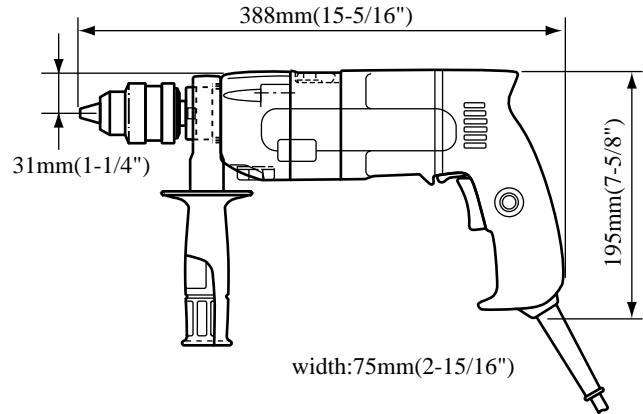


Models No. ▶ HP2031

Description ▶ 20mm (3/4") 2-Speed Hammer Drill

CONCEPTION AND MAIN APPLICATIONS

Model HP2031 is identical with the existing Model HP2030 except that Model HP2031 has a keyless chuck.



► Specifications

Voltage (V)	Current (A)	Cycle (Hz)	Continuous Rating (W)		Max. Output(W)
			Input	Output	
100	7.5	50/60	710	330	620
115	6.5	50/60	710	330	620
200	3.8	50/60	710	330	620
220	3.4	50/60	710	330	620
230	3.2	50/60	710	330	620
240	3.1	50/60	710	330	620

Max. capacities	Concrete	Hi: 13mm (1/2")	Lo: 20mm (3/4")
	Steel	Hi: 8mm (5/16")	Lo: 13mm (1/2")
	Wood	Hi: 25mm (1")	Lo: 40mm (1-9/16")
No load speed		Hi: 0 - 2,900	Lo: 0 - 850
Blows per minute		Hi: 0 - 32,000	Lo: 0 - 9,400
Net Weight		2.5kg (5.5 lbs)	

► Standard equipment

Keyless chuck, Depth rod, Plastic carrying case

► Optional accessories

Various sizes of tungsten-carbide tipped bit, Hole saw 79, 95, Blow-out bulb