

T ECHNICAL INFORMATION



New Tool

Models No. ▶ HP1501, HP1500, HP1510

Description ▶ 15mm vibration drill

CONCEPTION AND MAIN APPLICATIONS

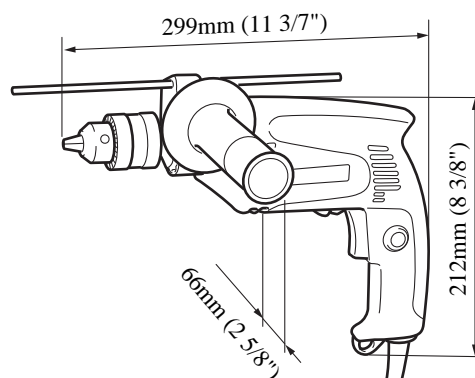
*HP1500 is a 15mm vibration drill that has a higher cost performance and it is an improved version of models HP1300S and HP1030.

*HP1510 is a single speed model and it is not equipped with a reversing switch.

Products for China and Hong Kong have 16-millimeter drilling capacity with concrete workpiece. Model HP1600 is a 16mm vibration drill.

*HP1501 has a key-less chuck that is not equipped on HP1500.

*All models are manufactured in MME.



► Specifications

Voltage (V)	Current (A)	Cycle (Hz)	Continuous Rating (W)		Max. Output(W)
			Input	Output	
100	5.8	50/60	550	260	360
115	5.0	50/60	550	260	360
220/230	2.5	50/60	550	260	360
220	2.6	50/60	550	260	360
230	2.5	50/60	550	260	360
240	2.4	50/60	550	260	360

Main features are same as LS1430.

No load speed	HP1500 speed; 0 to 2,800 /min HP1501 blows per minute; 0 to 44,800 /min HP1510 speed; 2,800 /min (HP1600) blows per minute; 44,800 /min	
Driving shank Gripping diameter of drill chuck	HP1500, 1510 (HP1600) 1.5 to 13mm (1/16 to 1/2 inch), 1501 2 to 13mm (3/64 to 1/2 inch)	
Drilling capacity	Concrete	15mm (9/16"), 16mm (5/8") with HP1600,
With iron and wood, HP1600 has same capacity	Iron	13mm (1/2")
	Wood	25mm (1")

► Standard equipment

HP1500 and HP1510: chuck key S13

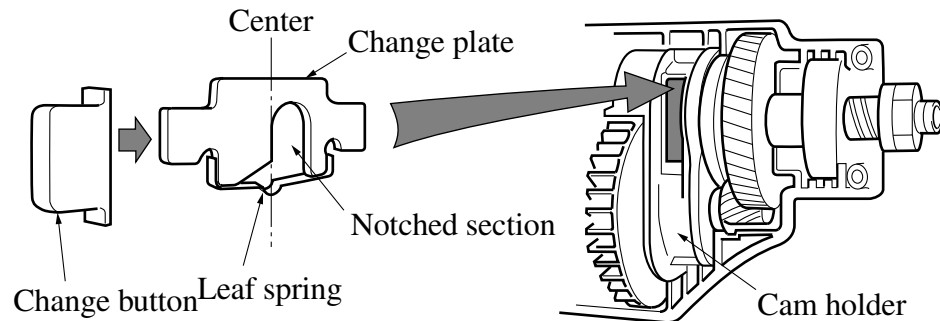
Stopper pole

▶ Repair

(1) Mounting of interchanging parts for drill and vibration drill

Insert change plate and leaf spring together into the cam holder.

(Note) When the notched section is positioned at opposite side (change plate is mounted upside down) changeover of drill and vibration drill will be reversed.



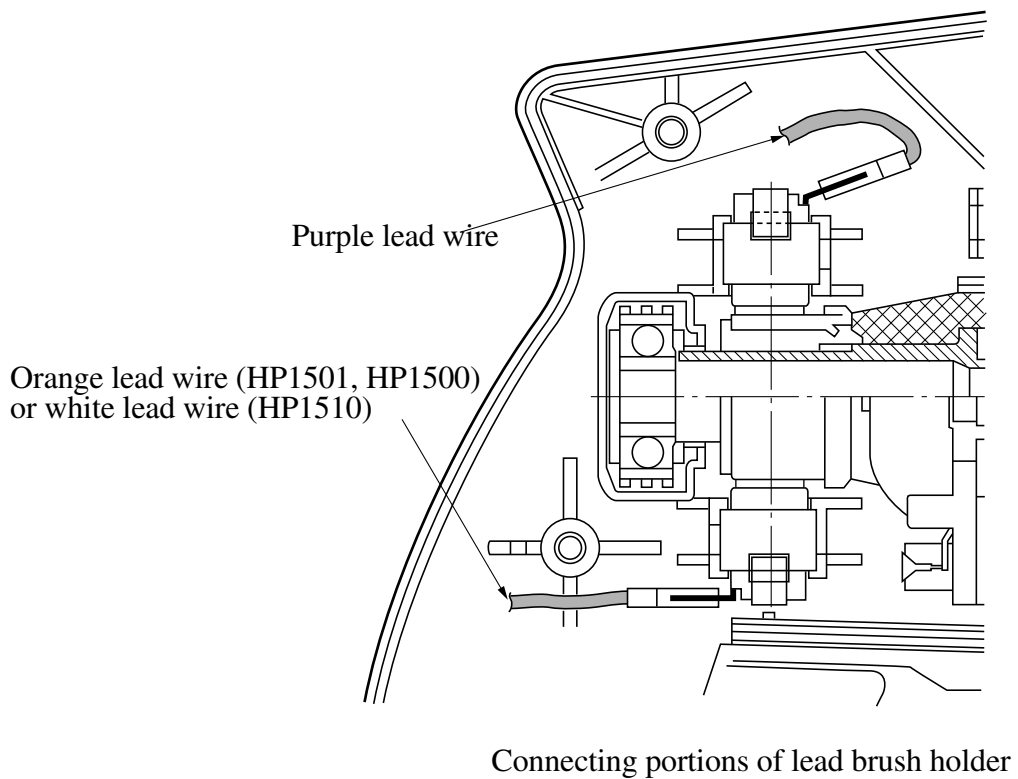
▶ Wiring diagram

(1) See diagram on the next

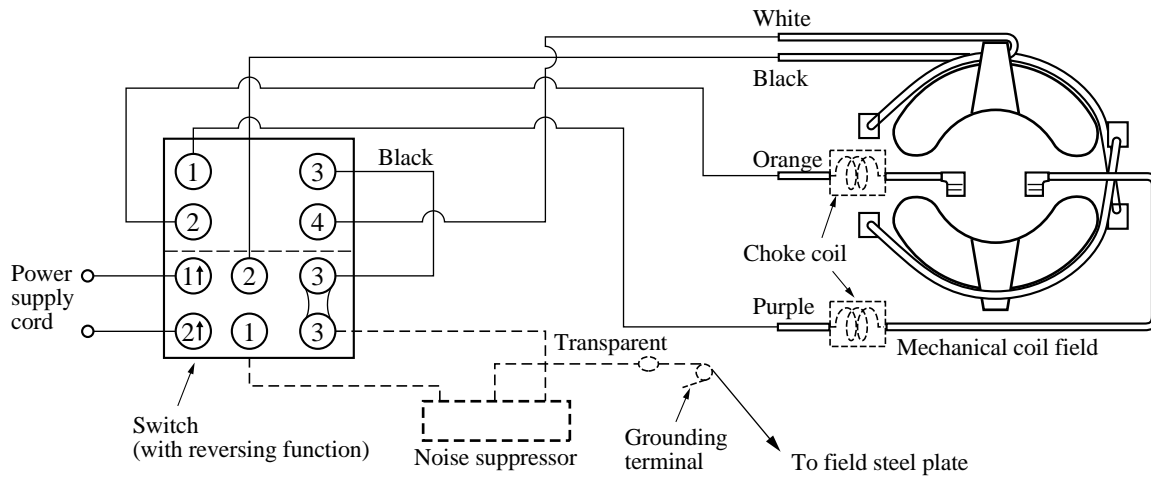
(2) page.

Connection of brush holder

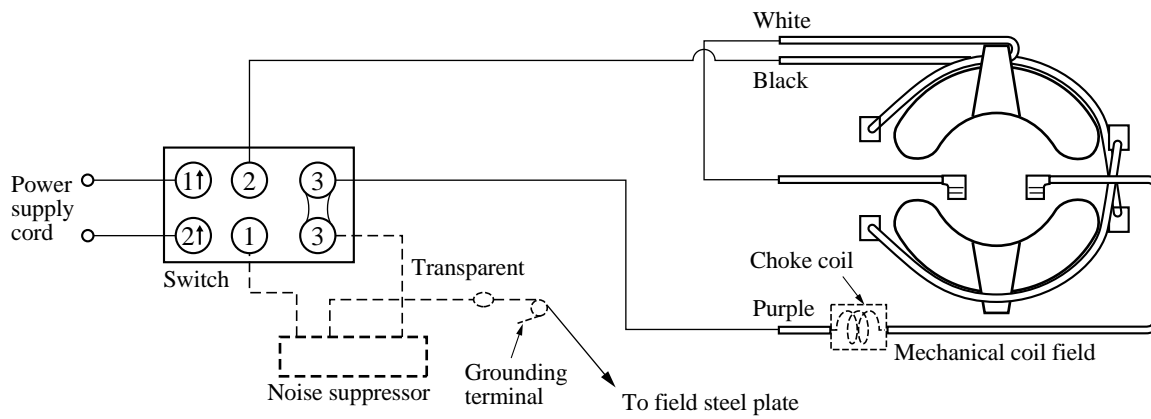
Connect lead wires for
connecting brush holder as



HP1500, HP1501



HP1500, HP1501



Noise suppressor is not used in some countries. In some cases noise suppressor which has two leads (without grounding lead wire) is used depending on countries.

Choke coil (with lead wire) is not used in some countries.