

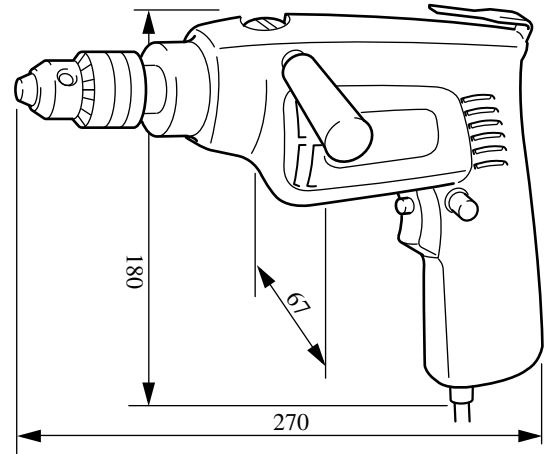
For Models ▶ HP1030

Description ▶ MAKITA 10 mm Hammer drill

CONCEPTION AND MAIN APPLICATIONS

The domestic sales will be started for HP1030 model which has been handled only for export purpose. Regardless of the similar model as the MHP1020, this model will be sold for professional application instead of sales as the M-series.

With the addition of the normal/reverse switch, the function has been further enriched.



▶ Specifications

Voltage (V)	Current(A)	Cycle(Hz)	Continuous Rating		Max. output(W)
			Input(W)	Output(W)	
100	4.5	50/60	430	200	300

Rotation (R.P.M.)	0-2700/min
Punching frequency	0-29700/min
Steel	10 mm
Wood	18 mm
Concrete	10 mm
Net weight	1.6 kg
Power supply cord	2.5 m

▶ Standard equipment

Chuck key : S10

▶ Optional accesories

Stopper pole assembly

Carbide drill

Grindstone with shaft : 50-80

Dropping pipet 54

Hex. Nut 3/8-24UNF *Note (1)

▶ **Cautions in handling**

Make sure if the normal/reverse switch is set at the normal when this device is used as the vibration drill.
Do not switch to the normal/reverse suddenly to avoid damaging the motor.

▶ **Cautions in disassembling**

The screw is mounted inside the hole of drill chuck to prevent the chuck from loosening. Loosen this screw at first when removing the drill chuck.

The screw is left-handed.

Since the "Cautions in handling" and "Cautions in assembling/disassembling" and "Capacity" other than shown above are the same as the ones for MH1020, they are omitted.