

For Models ▶ HM1200B

Description ▶ Demolition Hammer

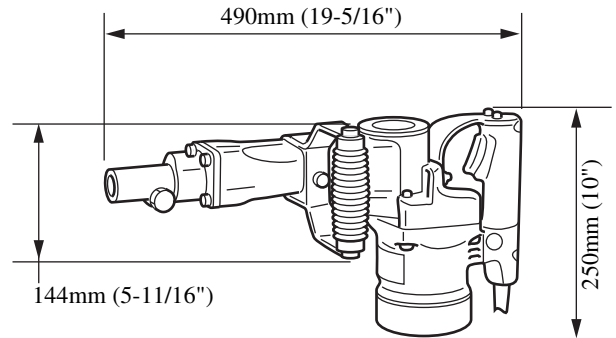
CONCEPTION AND MAIN APPLICATIONS

Model HM1200B, is basically the same as the existing Model HM1200 expect the followings.

*Model HM1200B accepts chisels for Bosch USH 10.

*Model HM1200B has a convenient D-shaped handle (auxiliary handle).

Model HM1200B is an excellent tool for cutaway, digging, asaling applications.



► Specifications

Voltage(V)	Current(A)	Cycle(Hz)	Continuous Rating(W)		Max. Output(W)
			Input	Output	
100	12.0	50/60	1,130	600	800
115	8.7	50/60	940	540	800
200	5.0	50/60	940	540	800
220	4.5	50/60	940	540	800
230	4.3	50/60	940	540	800
240	4.1	50/60	940	540	800
Blows per Mimute			2,000		
Net Weight			9.4kg (20.7lbs)		

► Standard equipment

Hex Wrench 4, Hex Wrench 8, Steel Carrying Case