

**Model No.** ▶ ELM4612, ELM4613

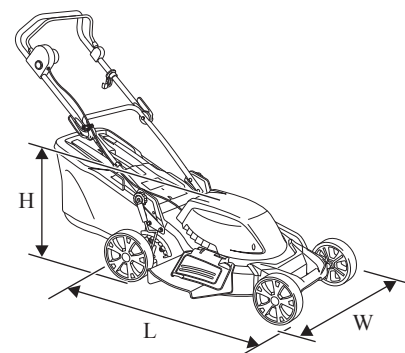
**Description** ▶ Electric Lawn Mowers  
460mm (18-1/8")

## CONCEPT AND MAIN APPLICATIONS

These electric lawn mowers are aesthetic change models based on the current ELM4610 and ELM4611, with improvement in mowing lawns near walls and addition of the following features to the lightweight grass box.

- Plastic plate on the bottom for increased rigidity
- Grass level indicator on the top for finding whether grass box is full

Also, side discharging of grass and single-lever height adjusting are available.



Illustrated above is Model ELM4612.

Dimensions: mm ( " )		
Model No.	ELM4612	ELM4613
Length (L)	825 (32-1/2)	825 (32-1/2)
Width (W)	540 (21-1/4)	540 (21-1/4)
Height (H)	355 (14)	415 (16-3/8)

## ▶ Specification

Voltage (V)	Current (A)	Cycle (Hz)	Continuous Rating (W)		Max. Output (W)
			Input	Output	
230	---	50	1,800	---	---

Specifications		Model	ELM4612	ELM4613
Motor			Induction motor	
Material of deck			Steel	
No load speed: rpm= min. <sup>-1</sup>			2,900	
Hole diameter of Cutting blade: mm (")			17 (11/16)	
Recommended mowing area: m <sup>2</sup>			800	1,000
Deck width: mm (")			480 (18-7/8)	
Cutting width: mm (")			460 (18-1/8)	
Cutting height adjustment	Single-lever adjustment		Yes	
	Adjustment range: mm (")		20 (13/16) - 75 (2-15/16) [8 stages]	
Grass box capacity: L			60	
Self-propelled [Speed: km/h]			No	Yes [Single speed: 3.6]
Brake			Yes	
Wheel	Circumference [front/ rear]: inch		7/ 8	
	Material of tread		PVC	
	Material of center		Plastic	
Weight according to EPTA-Procedure01/2003*1: kg (lbs)			29.5 (65.0)	32.5 (71.6)

\*1 With Blade and Grass box

## ▶ Standard equipment

No

## ▶ Optional accessories

No