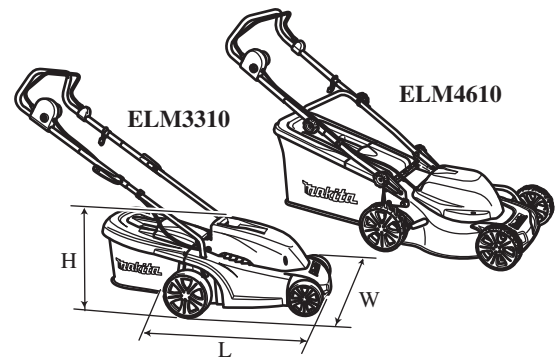


# TECHNICAL INFORMATION

- Model No.** ▶ ELM3310/ ELM3710  
ELM4110/ ELM4610/ ELM4611
- Description** ▶ Electric Lawn Mowers  
330/ 370mm (13/ 14-1/2")  
410/ 460/ 460mm (16-1/8/ 18-1/8/ 18-1/8")



## CONCEPT AND MAIN APPLICATIONS

These electric lawn mowers are developed based on the current ELM3300 and ELM4100 series models, with improvements in convenience and durability and with changes in aesthetic design made according to the same concept of aesthetic design as applied for Makita garden tools. Their main features are:

### All models

- Grass box of lightweight but good-looking design obtained by using plastic top cover and lightweight mesh bag

### Models with plastic deck (ELM3310, ELM3710)

- Easy-to-operate handle locking levers
- Well-positioned carrying handle for easy transport

### Models with steel deck (ELM4110, ELM4610, ELM4611)

- Easy-to-grip, large 65mm handle locking knobs
- Ball bearing wheels for added durability
- Single-lever cutting height adjustment

Dimensions: mm ( " )					
Model No.	ELM3310	ELM3710	ELM4110	ELM4610	ELM4611
Length (L)	600 (23-5/8)	650 (25-1/2)	760 (30)	800 (31-1/2)	800 (31-1/2)
Width (W)	460 (18-1/8)	490 (19-1/4)	500 (19-3/4)	540 (21-1/4)	540 (21-1/4)
Height (H)	320 (12-5/8)	350 (13-3/4)	410 (16-1/8)	400 (15-3/4)	410 (16-1/8)

## Specification

Model		Models with Plastic deck		Models with Steel deck		
		ELM3310	ELM3710	ELM4110	ELM4610	ELM4611
Starting system		Electric switch (with lock-off)		Electric switch (with lock-off)		
Motor		Induction motor		Induction motor		
Continuous rating input: W		1,100 (on 230V)	1,300 (on 230V)	1,600 (on 230V)	1,800 (on 230V)	
Material of deck		PP		Steel		
Recommended mowing area: m <sup>2</sup>		400	500	600	800	1,000
Deck width: mm (")		350 (13-3/4)	390 (15-3/8)	430 (17)	480 (18-7/8)	
No load speed: rpm= min-1		2,900		2,900		
Cutting width: mm (")		330 (13)	370 (14-1/2)	410 (16-1/8)	460 (18-1/8)	
Mulching function*1		No		No	Yes	
Self-propelled [Speed: km/h]		No		No	No	Yes [Single: 3.6]
Grass box capacity: L		27	35	50	60	
Cutting height adjustment	Single-lever adjustment	No*2		Yes		
	Cutting height adjustment	25-55mm/ 3 heights		20-75mm/ 5 heights		
Wheel base: mm (")		445 (17-1/2)	440 (17-1/4)	470 (18-1/2)	520 (20-1/2)	
Wheel	Circumference [front/ rear]: inch	5/ 7		6/ 8	7/ 8	
	Material of tread	PP		PVC		
	Material of center	[One-piece]		Plastic		
Packed weight: kg (lbs)		15 (33.1)	17 (37.5)	28 (61.7)	30.8 (67.9)	34 (75)
Weight according to EPTA-Procedure 01/2003*3: kg (lbs)		12.6 (27.8)	14.2 (31.3)	25.0 (55.1)	27.6 (60.9)	30.7 (67.7)

\*1 Automatically cuts the collected cut grass into fine grass particles with a revolving blade in a built-in cutting chamber, then spreads them over the lawn as natural moisturizer and fertilizer.

\*2 By individually adjusting each of the four wheels      \*3 With Blade and Grass box

## Standard equipment

Mulching plug ..... 1 (ELM4610, ELM4611)

**Note:** The standard equipment for the tool shown above may vary by country.

## Optional accessories

No