

TECHNICAL INFORMATION



PRODUCT

P 1/1

Models No. ▶ EBH341U

Description ▶ Petrol Brushcutter

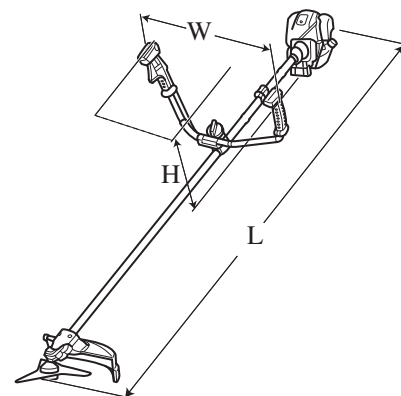
CONCEPT AND MAIN APPLICATIONS

Model EBH341U is a 33.5cc 4-stroke petrol brushcutters developed in compliance with EU Stage 2 exhaust emission regulations.

Their main features are:

- 4-stroke engine for low noise and clean exhaust emission
- Ergonomic handle for higher maneuverability

Note: This products are not in compliance with the regulations of San Dimas, California, USA.



Dimensions: mm (")	
Length (L)	1,810 (71-1/4)
Width (W)	620 (24-3/8)
Height (H)	500 (19-3/4)

► Specification

Specifications		Model	EBH341U
Engine	Type		4-stroke
	Displacement: mL		33.5
	Fuel		Straight gasoline (lead-free gasoline for automobiles)
No load speed*1: min.-1 = rpm			10,000
Engine oil			SAE10W-30 oil in the Class SF or higher of API Classification
Carburetor			Diaphragm
Starting system			Recoil starter, with mechanical decompression
Fuel tank capacity: L			0.65
Standard cutting tool			305mm (12") diameter Triple blade or Nylon cutting head
Handle style			Bike handle
Rapid start			No
Waist cushion			No
Net weight*2: kg (lbs)			7.1 (15.7)

*1 No load speed of the engine when installed on the brushcutter

*2 Dry weight, without universal guard, cutting tool and shoulder harness

► Standard equipment

- Triple blade 305mm (12") or Nylon cutting head 1 (Except Australia and New Zealand)
- Universal guard (=Protector) 1
- Shoulder harness with double shoulder straps 1
- Socket wrench 1
- Hex wrench (for M5) 1
- Hex wrench (for M6) 1
- Wire clamp (for tying cables) 2
- Oil bottle 1

Note: The standard equipment for the tool shown above may differ by country.

► Optional accessories

- Blades, Nylon cutting head