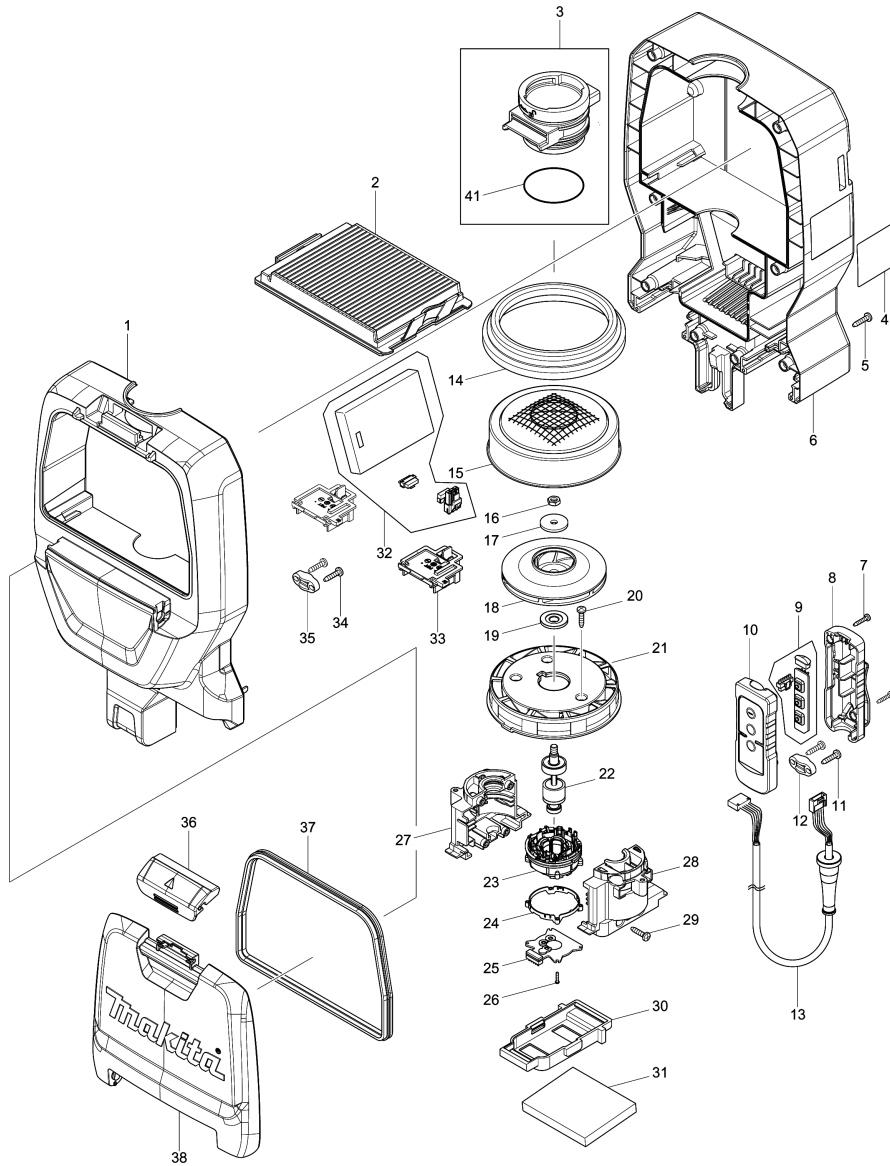
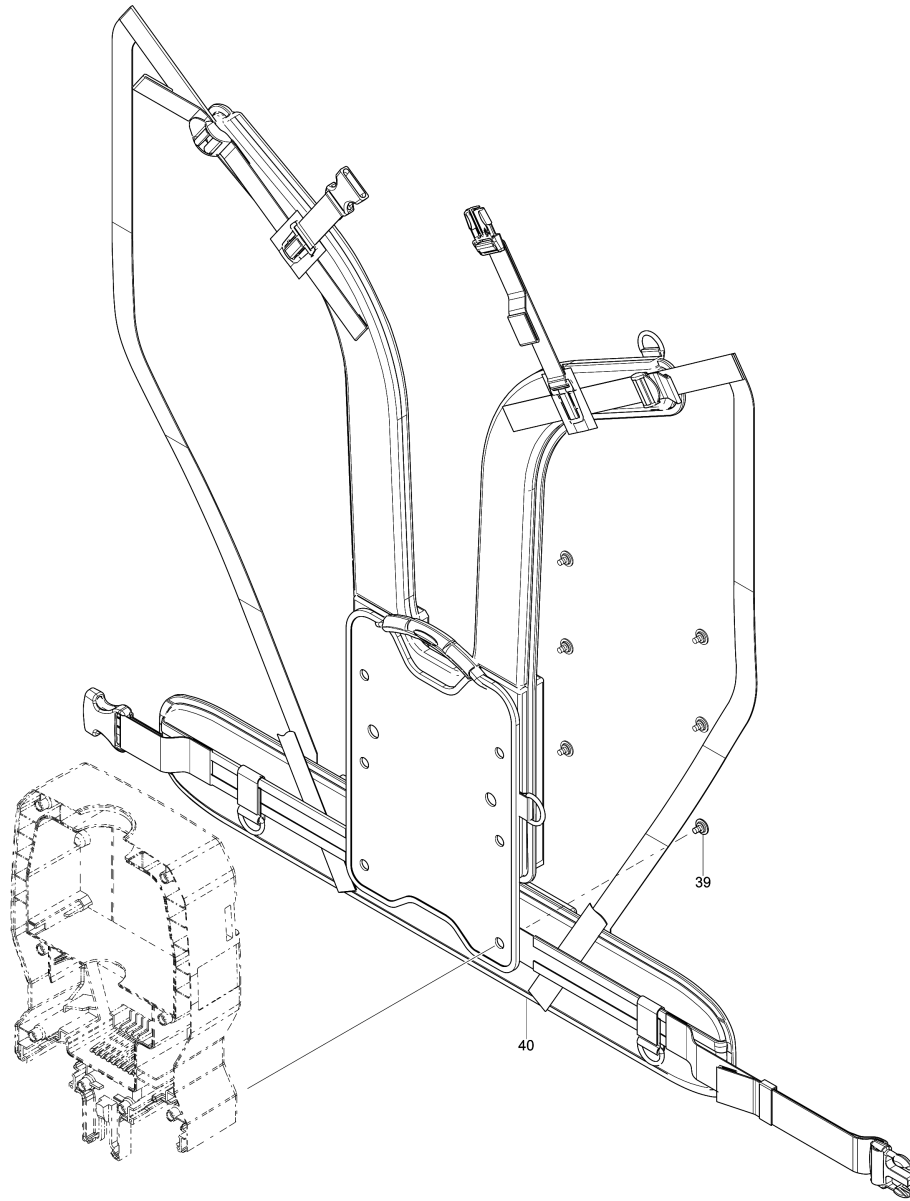


Model No.DVC260 DC BACKPACK VACUUM CLEANER



Model No.DVC260 DC BACKPACK VACUUM CLEANER



## Model No.DVC260 DC BACKPACK VACUUM CLEANER

| Артикул | Детали   | Описание                            | Замена | Количество | New/Old | Продажи | Закупка | Примечание |
|---------|----------|-------------------------------------|--------|------------|---------|---------|---------|------------|
| 001     | 143788-0 | UPPER HOUSING COMPLETE              |        | 1          | *       |         |         |            |
| C10     | 263005-3 | Резиновая шпилька 6                 |        | 4          | *       |         |         |            |
| C20     | 424834-1 | BAND DAMPER A                       |        | 1          | *       |         |         |            |
| 001-1   | 143788-0 | UPPER HOUSING COMPLETE              | <      | 1          |         |         |         |            |
| C10     | 263005-3 | Резиновая шпилька 6                 |        | 4          |         |         |         |            |
| C20     | 424834-1 | BAND DAMPER A                       |        | 1          |         |         |         |            |
| 002     | 123636-9 | HEPA FILTER ASSEMBLY                |        | 1          | *       |         |         |            |
| C10     | 153820-2 | VALVE COMPLETE                      |        | 1          | *       |         |         |            |
| 002-1   | 127725-2 | FILTER ASSEMBLY                     | 0      | 1          |         |         |         |            |
| C10     | 153820-2 | VALVE COMPLETE                      |        | 1          |         |         |         |            |
| 003     | 135771-1 | INLET ASS'Y                         |        | 1          |         |         |         |            |
| D10     |          | INC. 41                             |        |            |         |         |         |            |
| 004     | 852D42-2 | DVC260 NAME PLATE                   |        | 1          |         |         |         |            |
| 005     | 266326-2 | Самонарезающий винт 4x18            |        | 8          |         |         |         |            |
| 006     | 143789-8 | LOWER HOUSING COMPLETE              |        | 1          |         |         |         |            |
| C10     | 424835-9 | BAND DAMPER B                       |        | 1          |         |         |         |            |
| 007     | 266130-9 | Самонарезающий винт зажимной PT3X16 |        | 2          |         |         |         |            |
| 008     | 183D91-1 | SWITCH CASE SET                     |        | 1          |         |         |         |            |
| D10     |          | INC. 10                             |        |            |         |         |         |            |
| 009     | 620525-4 | SUB CONTROLLER                      |        | 1          |         |         |         |            |
| 010     | 183D91-1 | SWITCH CASE SET                     |        | 1          |         |         |         |            |
| D10     |          | INC. 8                              |        |            |         |         |         |            |
| 011     | 266326-2 | Самонарезающий винт 4x18            |        | 2          |         |         |         |            |
| 012     | 687123-7 | Винт натяжителя цепи к MT560        |        | 1          |         |         |         |            |
| 013     | 699077-6 | POWER SUPPLY CORD UNIT              |        | 1          | *       |         |         |            |
| 013-1   | 699136-6 | POWER SUPPLY CORD UNIT              | 0      | 1          |         |         |         |            |
| 014     | 421380-5 | деталь                              |        | 1          |         |         |         |            |
| 015     | 165386-0 | FAN COVER                           |        | 1          | *       |         |         |            |
| 015-1   | 161804-6 | FAN COVER                           | 0      | 1          |         |         |         |            |
| 016     | 931303-0 | Шестигранная гайка M6 к 9565/       |        | 1          | *       |         |         |            |
| 016-1   | 252268-6 | HEX. NUT M6                         | 0      | 1          |         |         |         |            |
| 017     | 322407-3 | Шайба 6                             |        | 1          |         |         |         |            |
| 018     | 241851-4 | Крыльчатка 94 для 420S              |        | 1          |         |         |         |            |
| 019     | 313062-2 | Фланец                              |        | 1          |         |         |         |            |
| 020     | 266326-2 | Самонарезающий винт 4x18            |        | 3          |         |         |         |            |
| 021     | 456736-3 | FAN BASE                            |        | 1          |         |         |         |            |
| 022     | 619395-6 | ROTOR                               |        | 1          | *       |         |         |            |
| 022-1   | 619517-8 | ROTOR                               | 0      | 1          | *       |         |         |            |
| 022-2   | 619517-8 | ROTOR                               | 0      | 1          |         |         |         |            |
| 023     | 629189-1 | STATOR                              |        | 1          |         |         |         |            |
| 024     | 687464-1 | Опора для BTD129                    |        | 1          |         |         |         |            |
| 025     | 620526-2 | CONTROLLER B                        |        | 1          |         |         |         |            |
| 026     | 266786-8 | Винт 2X10 для BTD129                |        | 4          |         |         |         |            |
| 027     | 183D13-1 | MOTOR HOUSING SET                   |        | 1          |         |         |         |            |
| D10     |          | INC. 28                             |        |            |         |         |         |            |
| 028     | 183D13-1 | MOTOR HOUSING SET                   |        | 1          |         |         |         |            |
| D10     |          | INC. 27                             |        |            |         |         |         |            |
| 029     | 266326-2 | Самонарезающий винт 4x18            |        | 4          |         |         |         |            |
| 030     | 424837-5 | SUPPORT A                           |        | 1          |         |         |         |            |
| 031     | 424838-3 | REAR BLOCK FILTER                   |        | 2          |         |         |         |            |
| 032     | 620524-6 | CONTROLLER A                        |        | 1          |         |         |         |            |
| D10     |          | INC. 33                             |        |            |         |         |         |            |
| D10     |          | INC. 33                             |        |            |         |         |         |            |

Please order the parts with part number.

Print Date 9/10/2020

## Model No.DVC260 DC BACKPACK VACUUM CLEANER

| Артикул | Детали   | Описание                       | Замена | Количество | New/Old | Продажи | Закупка | Примечание |
|---------|----------|--------------------------------|--------|------------|---------|---------|---------|------------|
| 033     | 644808-8 | Предохранитель                 |        | 2          |         |         |         |            |
| 034     | 266326-2 | Самонарезающий винт 4x18       |        | 2          |         |         |         |            |
| 035     | 687123-7 | Винт натяжителя цепи к MT560   |        | 1          |         |         |         |            |
| 036     | 123586-8 | LATCH ASSEMBLY                 |        | 1          |         |         |         |            |
| 037     | 424836-7 | SEAL                           |        | 1          |         |         |         |            |
| 038     | 456739-7 | DUST BOX COVER                 |        | 1          |         |         |         |            |
| 039     | 265008-3 | Винт (+) с плоской головкой M5 |        | 6          |         |         |         |            |
| 040     | 161479-1 | HARNESS                        |        | 1          | *       |         |         |            |
| 040-1   | 161767-6 | HARNESS                        | X      | 1          | *       |         |         |            |
| 040-2   | 162469-7 | HARNESS                        | <      | 1          |         |         |         |            |
| 041     | 213655-4 | О-кольцо 56 резиновое          |        | 1          |         |         |         |            |
| A01A    | 143787-2 | HOSE COMPLETE 28-1.0           |        | 1          |         |         |         |            |
| A01B    | A-34235  | HOSE COMP 28-1.5               |        | 1          |         |         |         |            |
| C10     | 417766-9 | Манжета                        |        | 1          |         |         |         |            |
| C20     | 417191-4 | CUFF LOCK                      |        | 1          |         |         |         |            |
| C30     | 417586-1 | STOPPER                        |        | 1          |         |         |         |            |
| C40     | 417662-1 | SLEEVE                         |        | 1          |         |         |         |            |
| D10     |          | INC. A08                       |        |            |         |         |         |            |
| A02     | 166116-2 | HOSE BAND                      |        | 1          |         |         |         |            |
| A03     | 197903-8 | FILTER BAG SET 2L(10PCS)EU     |        | 1          | *       |         |         |            |
| A03-1   | 197903-8 | FILTER BAG SET 2L(10PCS)EU     | O      | 1          |         |         |         |            |
| A04A    | 197901-2 | FLEXIBLE RUBBER NOZZLE SET EU  |        | 1          | *       |         |         |            |
| A04-1A  | 197901-2 | FLEXIBLE RUBBER NOZZLE SET EU  | O      | 1          |         |         |         |            |
| A05A    | 123486-2 | FLOOR T-NOZZLE 28 WHI          |        | 1          |         |         |         |            |
| A06A    | 123584-2 | TELESCOPIC PIPE ASSEMBLY 28    |        | 1          | *       |         |         |            |
| A06-1A  | 123584-2 | TELESCOPIC PIPE ASSEMBLY 28    | O      | 1          |         |         |         |            |
| A07A    | 123677-5 | BENT PIPE ASSEMBLY             |        | 1          | *       |         |         |            |
| A07-1A  | 126756-8 | BENT PIPE ASSEMBLY             | <      | 1          |         |         |         |            |
| A08B    | 417765-1 | FRONT CUFF 22                  |        | 1          |         |         |         |            |
| A09B    | 424379-9 | FRONT CUFF 24                  |        | 1          |         |         |         |            |

Please order the parts with part number.

Print Date 9/10/2020