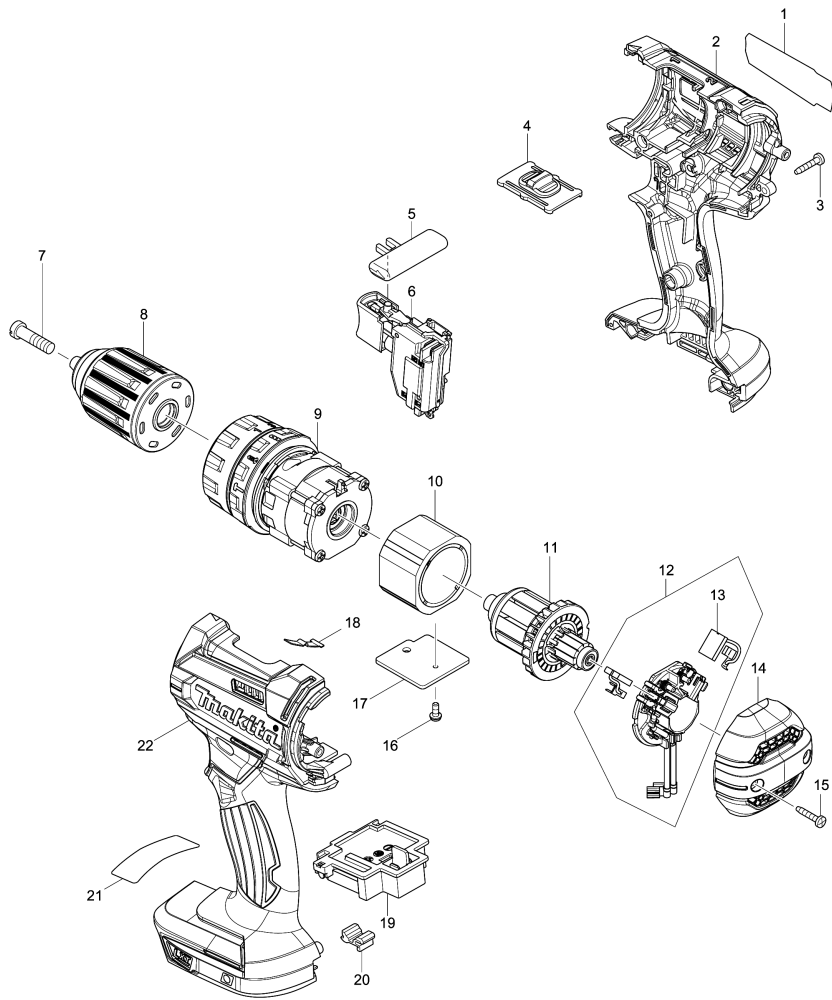


Model No.DHP482 CORDLESS HAMMER DRIVER DRILL



2015/03
DHP482

Model No.DHP482 CORDLESS HAMMER DRIVER DRILL

| Артикул | Детали | Описание | Замена | Количество | New/Old | Продажи | Закупка | Примечание |
|---------|----------|--------------------------------|--------|------------|---------|---------|---------|------------|
| 001 | 851E32-8 | DHP482 NAME PLATE | | 1 | | | | |
| 002 | 183B65-0 | HOUSING SET | | 1 | | | | |
| C10 | 263005-3 | Резиновая шпилька 6 | | 2 | | | | |
| D10 | | INC. 22 | | | | | | |
| 003 | 266429-2 | Самонарезающий винт 3X16 | | 9 | | | | |
| 004 | 123442-2 | SPEED CHANGE LEVER ASSEMBLY | | 1 | | | | |
| C10 | 233438-6 | Компрессионная пружина 4 | | 2 | | | | |
| 005 | 419041-9 | Рычаг переключения для BTD140/ | | 1 | | | | |
| 006 | 632F27-4 | SWITCH UNIT | | 1 | | | | |
| C10 | 620444-4 | LED CIRCUIT | | 1 | | | | |
| C20 | 688172-7 | Изоляционная втулка к BUC122 | | 1 | | | | |
| 007 | 251468-5 | Винт плоской головкой M6X22 | | 1 | | | | |
| 008 | 766027-7 | KEYLESS DRILL CHUCK 13 | | 1 | | | | |
| 009 | 123443-0 | GEAR ASSEMBLY | | 1 | | | | |
| 010A | 632F32-1 | YOKE UNIT | | 1 | * | | | |
| 010B | 632F32-1 | YOKE UNIT | | 1 | * | | | |
| 010-1A | 632J70-7 | YOKE UNIT | < | 1 | | | | |
| 010-1B | 632J70-7 | YOKE UNIT | < | 1 | | | | |
| 010-1C | 632J70-7 | YOKE UNIT | | 1 | | | | |
| 011 | 619380-9 | ARMATURE | | 1 | | | | |
| 012 | 632F21-6 | BRUSH HOLDER COMPLETE | | 1 | | | | |
| C10 | 688172-7 | Изоляционная втулка к BUC122 | | 1 | | | | |
| D10 | | INC. 13 | | | | | | |
| 013 | 194427-5 | Угольные щетки С В-440 | | 1 | | | | |
| 014 | 456099-7 | REAR COVER | | 1 | | | | |
| 015 | 266429-2 | Самонарезающий винт 3X16 | | 2 | | | | |
| 016A | 911006-2 | Винт M3X8 4331D/BJR240/BDF441/ | | 1 | * | | | |
| 016B | 911006-2 | Винт M3X8 4331D/BJR240/BDF441/ | | 1 | * | | | |
| 016-1A | 652066-2 | +PAN HEAD SCREW M3X9 WITH W | < | 1 | | | | |
| 016-1B | 652066-2 | +PAN HEAD SCREW M3X9 WITH W | < | 1 | | | | |
| 016-1C | 652066-2 | +PAN HEAD SCREW M3X9 WITH W | | 1 | | | | |
| 017 | 689070-8 | деталь | | 1 | | | | |
| 018 | 232182-2 | Плоская пружина | | 1 | | | | |
| 019 | 644808-8 | Предохранитель | | 1 | | | | |
| 020 | 424476-1 | CUSHION | | 1 | | | | |
| 022 | 183B65-0 | HOUSING SET | | 1 | | | | |
| C10 | 263005-3 | Резиновая шпилька 6 | | 2 | | | | |
| D10 | | INC. 2 | | | | | | |
| A01 | 251314-2 | Винт (+) M4X12 | | 1 | | | | |
| A02A | 346317-0 | Держатель ножа | | 1 | | | | |
| A02B | 346317-0 | Держатель ножа | | 1 | | | | |
| A02C | 346449-3 | Крючок | | 1 | | | | |
| A03 | 784637-8 | комплектующие и аксессуары | | 1 | | | | |
| A04A | 141856-3 | PLASTIC CARRYING CASE COMPLETE | | 1 | | | | |
| C10 | 162302-3 | Упорный штифт для BHP456 | | 2 | | | | |
| C20 | 324207-7 | Шпиндель | | 1 | | | | |
| C30 | 451749-9 | Рукоятка | | 1 | | | | |
| A04C | 141856-3 | PLASTIC CARRYING CASE COMPLETE | | 1 | | | | |

Model No.DHP482 CORDLESS HAMMER DRIVER DRILL

| Артикул | Детали | Описание | Замена | Количество | New/Old | Продажи | Закупка | Примечание |
|---------|-----------|-------------------------------|--------|------------|---------|---------|---------|------------|
| C10 | 162302-3 | Упорный штифт для ВНР456 | | 2 | | | | |
| C20 | 324207-7 | Шпиндель | | 1 | | | | |
| C30 | 451749-9 | Рукоятка | | 1 | | | | |
| A05A | 450128-8 | Крышка аккумулятора для BTM40 | | 1 | | | | |
| A05C | 450128-8 | Крышка аккумулятора для BTM40 | | 1 | | | | |
| A06A | ***DC18RC | DC18RC FAST CHARGER | | 1 | | | | |
| A06C | ***DC18SD | DC18SD BATTERY CHARGER | | 1 | | | | |
| A07A | 196400-1 | BATTERY BL1840 SET | | 2 | * | | | |
| A07C | 196448-3 | BATTERY BL1815N SET | | 2 | * | | | |
| A07-1A | 197265-4 | BATTERY BL1840B SET | < | 2 | | | | |
| A07-1C | 196235-0 | BATTERY BL1815N SET | 0 | 2 | | | | |
| A08A | 807S02-9 | DHP482RME PLASTIC CASE LABEL | | 2 | * | | | |
| A08C | 817J87-3 | DHP482SYE " | | 2 | | | | |
| A08-1A | 816F45-2 | DHP482RME PLASTIC CASE LABEL | X | 2 | | | | |

Please order the parts with part number.

Print Date 9/10/2020