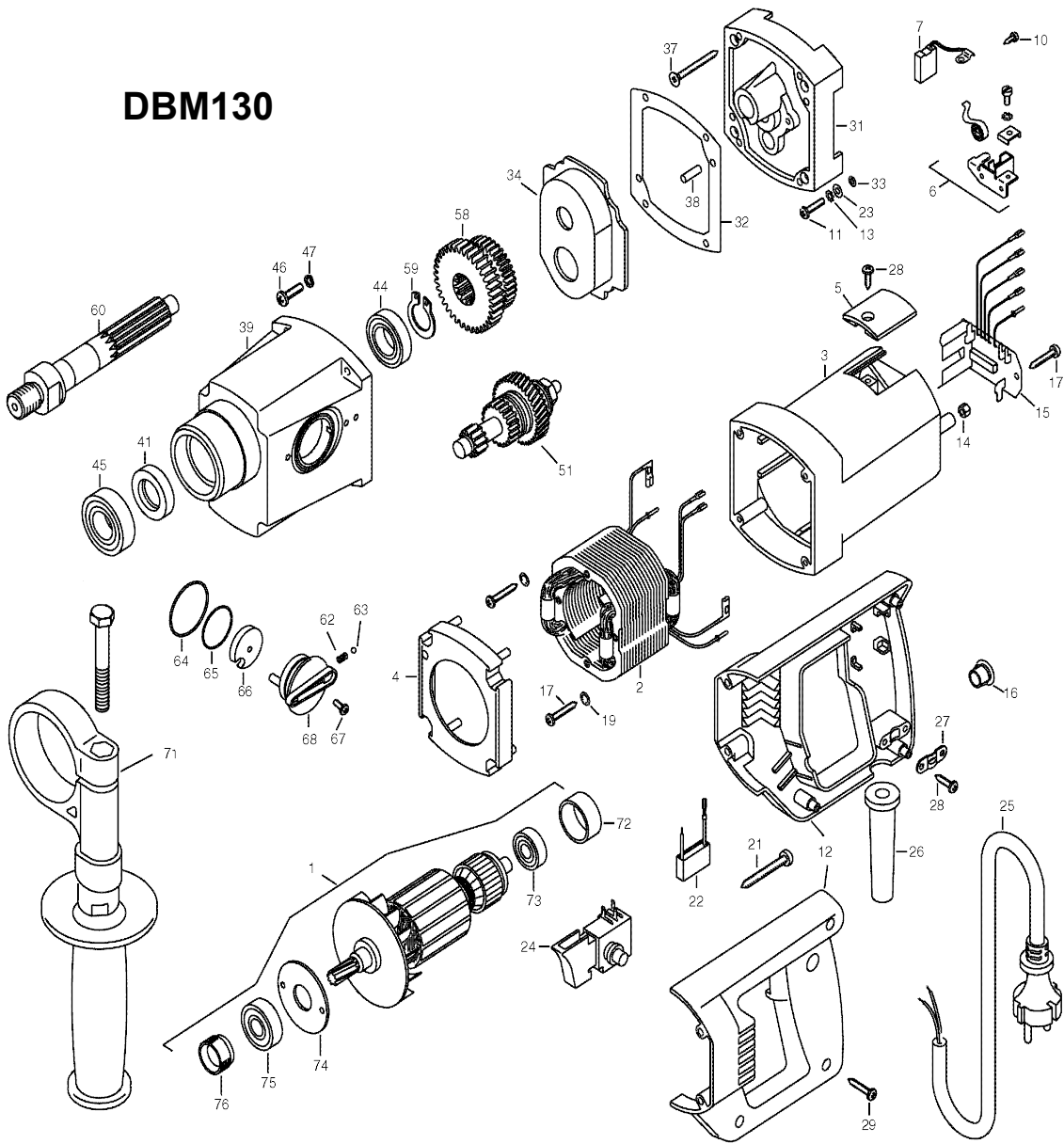


DBM130



Pos.	Item No.	Description	Remarks
1	EE 7332L100	ARMATURE ASS'Y	
2	EE 73320150	FIELD ASS'Y	
3	EE 80900159	MOTOR HOUSING	
4	EE 73320140	BAFFLE PLATE	
5	EE 73320215	BRUSH HOLDER COVER	
6	EE 80201199	BRUSH HOLDER CPL.	
7	EE 80700019	BRUSH	
8			
9			
10	EE 80201251	TAPPING SCREW 2,9x9,5	
11	EE 80201131	OVAL HEAD SCREW M4x17	
12	EE 73320260/1	HANDLE COVER CPL.	
13	EE 80200752	SELF LOCK 4,3	
14	EE 80201295	PLASTIC NUT	
15	EE 73313280	CONTROLLER	
16	EE 83000053	PLUG	
17	EE 80201273	TAPPING SCREW 4,2x25	
18			
19	EE 80201362	STOP RING S6	
20			
21	EE 80201267	PAN HEAD SCREW 4,8x45	
22	EE 73320305	CONDENSER	
23	EE 80201371	WASHER 4,3	
24	EE 80600116	SWITCH	
25	P-26185	POWER SUPPLY CORD	
26	EE 71323255	CORD GUARD	
27	EE 71540330	STRAIN RELIEF	
28	EE 80201270	PAN HEAD SCREW 4,2x13	
29	EE 80201272	BLECHSCHRAUBE 4,2x22	
30			
31	EE 7332S610	CRANK HOUSING COVER	
32	EE 73320620	GASKET	
33	EE 83000019	RING 3,68x1,78	
34	EE 73320625	GREASE COVER	
35			
36			
37	EE 80201275	COUNTERSUNK HEAD SCREW 4,5x50	
38	EE 80200580	PIN 5x16	
39	EE 7332S400	GEAR HOUSING COMPLETE	
40			
41	EE 83000023	SEAL 20x35x7	
42			
43			
44	211306-3	BALL BEARING	
45	211301-3	BALL BEARING	
46	EE 80201204	OVAL HEAD SCREW M5x20	
47	EE 80201302	SPRING WASHER 5	
48			
49			
50			
51	EE 73320493	TORQUE LIM.CPL.	
52			
53			
54			
55			
56			
57			
58	EE 73320440	GEAR	
59	EE 80201319	RETAINING RING 19	
60	EE 73320420	SPINDLE	
61			
62	EE 80200698	COMPRESSION SPRING	
63	EE 80410080	STEEL BALL 3.5	
64	EE 83000022	RING 36x1,5	
65	EE 83000017	RING 28x1	
66	EE 73320542	COVER PLATE	
67	EE 80201149	SCREW M3x12	
68	EE 73320541	SWITCH	
69			
70			
71	EE 7332L695	GRIP COMPLETE	
72	EE 73320315	SUPPORTING WASHER	