

TECHNICAL INFORMATION



PRODUCT

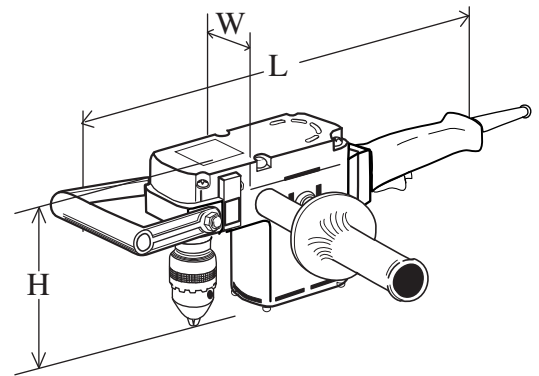
P 1 / 1

Models No. ▶ DA6300, DA6301

Description ▶ 13mm Angle drill

CONCEPTION AND MAIN APPLICATIONS

Model DA6301 equipped with torque limiter has been developed to be in conformity with CE Regulations.



Dimensions : mm (")	
Width (W)	120 (4-3/4)
Height (H)	170 (6-11/16)
Length (L)	410 (16-1/8)

► Specification

Voltage (V)	Current (A)	Cycle (Hz)	Continuous Rating (W)		Max. Output(W)
			Input	Output	
100	8.5	50/60	810	380	550
115	7.5	50/60	810	380	550
200	4.3	50/60	810	380	550
220	3.9	50/60	810	380	550
230	3.8	50/60	810	380	550
240	3.5	50/60	810	380	550

Model No.	DA6300	DA6301
Chuck ability : mm (")	2 - 13 (1/16 - 1/2)	
Drilling capacity : mm (")	in Steel	13 (1/2)
	in Wood	36 (1- 3/8)
No load speed : (min -:= rpm)	High	1,200
	Low	300
Torque limiter	No	Yes

► Standard equipment

- * Chuck key S13,
- * Key holder 12,
- * Side grip 30,
- * Steel carrying case

< Note > The standard equipment for the tool shown may differ from country to country.

► Optional accessories

- * Hole saw assembly 79
- * Hole saw assembly 95