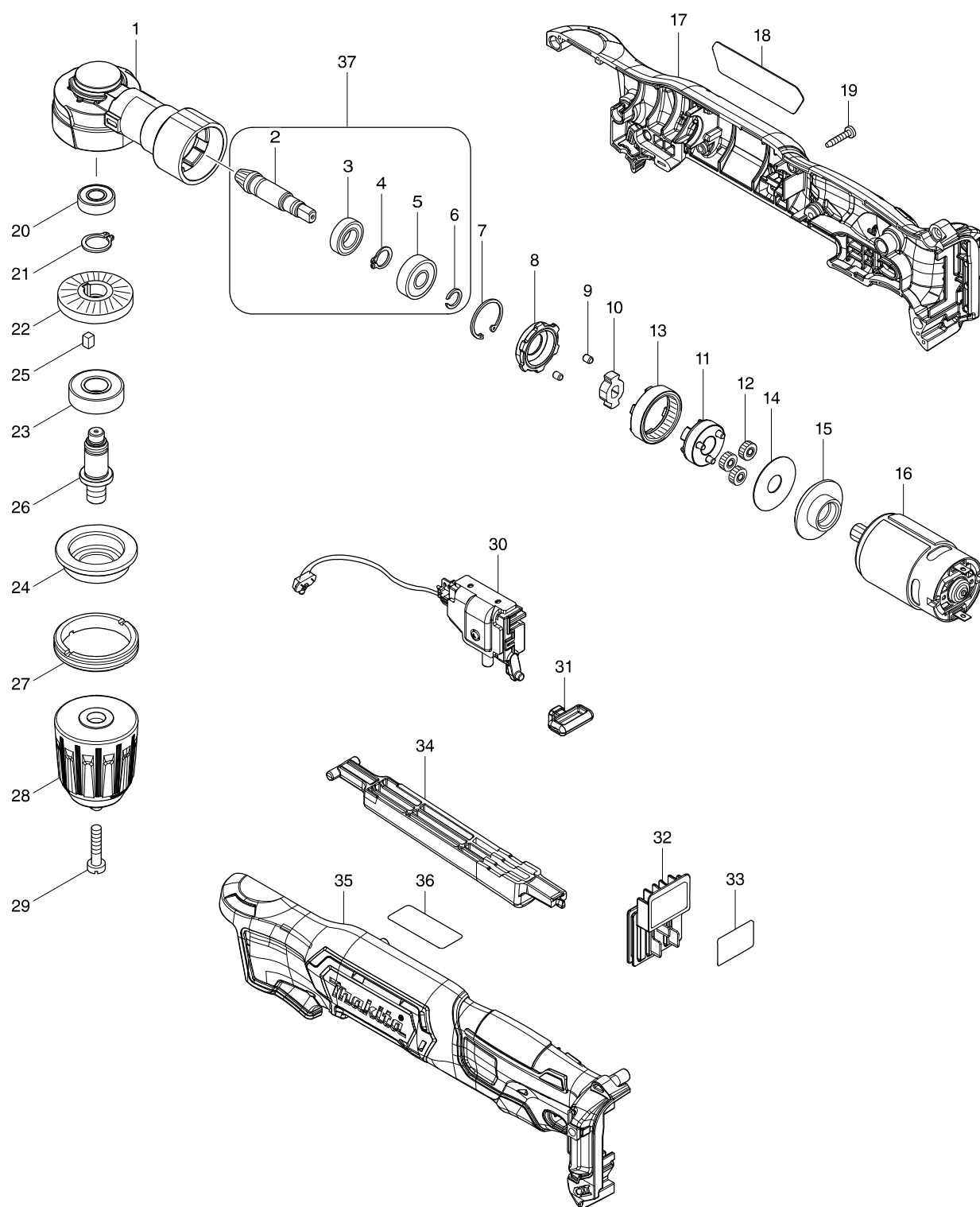


Модель инструмента DA333D 10MM CORDLESS ANGLE DRILL



| Артикул | Детали | Описание | Заме | Количе | N/O | Дополнительн | Дополнительн | Примечание |
|---------|----------|--------------------------------|------|--------|-----|--------------|--------------|------------|
| 001 | 319635-9 | GEAR HOUSING | | 1 | | | | |
| 002 | 221570-8 | SPIRAL BEVEL GEAR 6 | | 1 | | | | |
| 003 | 210171-7 | BALL BEARING 6800ZZ | | 1 | | | | |
| 004 | 961006-2 | Стопорное кольцо S-10 HR3000C/ | | 1 | | | | |
| 005 | 210029-0 | Подшипник 608ZZ | | 1 | | | | |
| 006 | 961034-7 | Стопорное кольцо HR2811FT | | 1 | | | | |
| 007 | 962102-9 | RETAINING RING R-22 | | 1 | | | | |
| 008 | 310831-2 | LOCK RING | | 1 | | | | |
| 009 | 256372-3 | PIN 3.5 | | 2 | | | | |
| 010 | 310832-0 | LOCK CAM | | 1 | | | | |
| 011 | 144702-9 | CARRIER COMPLETE | | 1 | | | | |
| 012 | 221572-4 | SPUR GEAR 17 | | 3 | | | | |
| 013 | 221569-3 | INTERNAL GEAR 48 | | 1 | | | | |
| 014 | 253396-0 | FLAT WASHER 10 | | 1 | | | | |
| 015 | 457972-4 | MOTOR BRACKET | | 1 | | | | |
| 016 | 629291-0 | DC MOTOR | | 1 | | | | |
| 017 | 183H38-9 | HOUSING SET | | 1 | | | | |
| C10 | 252126-6 | Шестигр.стопорная гайка M4-7 | | 2 | | | | |
| D10 | | INC. 35 | | | | | | |
| 018 | 853T75-6 | DA333D NAME PLATE | | 1 | | | | |
| 019 | 266130-9 | Самонарез.винт зажимной PT3X16 | | 9 | | | | |
| 020 | 211166-3 | BALL BEARING 698DDW | | 1 | | | | |
| 021 | 961052-5 | Стопорное кольцо S-12 9555NB/ | | 1 | | | | |
| 022 | 227603-7 | SPIRAL BEVEL GEAR 31 | | 1 | | | | |
| 023 | 210163-6 | BALL BEARING 6001DDW | | 1 | | | | |
| 024 | 317633-7 | Корпус подшипника | | 1 | | | | |
| 025 | 254201-4 | Шпонка4 8015D,8419B,DA3010F/11 | | 1 | | | | |
| 026 | 327015-5 | SPINDLE | | 1 | | | | |
| 027 | 285842-5 | Фиксатор подшипника к DA3010F/ | | 1 | | | | |
| 028 | 763228-8 | KEYLESS DRILL CHUCK 10 | | 1 | | | | |
| 029 | 251451-2 | (-) Винт M5X22 | | 1 | | | | |
| 030 | 651097-8 | SWITCH C3HW-3A-PLF5MS-W | | 1 | | | | |
| 031 | 450126-2 | FR CHANGE LEVER | | 1 | | | | |
| 032 | 644813-5 | TERMINAL | | 1 | | | | |
| 033 | 853T79-8 | DA333D SERIAL NO. LABEL | | 1 | | | | |
| 034 | 457973-2 | SWITCH LEVER | | 1 | | | | |
| 035 | 183H38-9 | HOUSING SET | | 1 | | | | |
| C10 | 252126-6 | Шестигр.стопорная гайка M4-7 | | 2 | | | | |
| D10 | | INC. 17 | | | | | | |
| 037 | 135922-6 | GEAR ASSEMBLY | | 1 | * | | | |
| D10 | | INC. 2-6 | | | * | | | |
| 037-1 | 135922-6 | GEAR ASSEMBLY | 0 | 1 | | | | |
| D10 | | INC. 2-6,38 | | | | | | |
| 038 | 253310-6 | THIN WASHER 10 | | 1 | | | | |
| A01 | 784244-7 | + BIT 2-50 | | 1 | | | | |
| A02 | 346909-5 | HOOK | | 1 | | | | |
| A03 | 251314-2 | Винт (+) M4X12 | | 1 | | | | |
| | | | | | | | | |