

TECHNICAL INFORMATION



PRODUCT

P 1 / 4

Models No. ▶ DA302D, DA392D, DA312D

Description ▶ 7.2 V, 9.6v, 12V Cordless angle drills 10mm (3/8")

CONCEPTION AND MAIN APPLICATIONS

The above models are the series of keyless drill chuck type cordless angle drills.

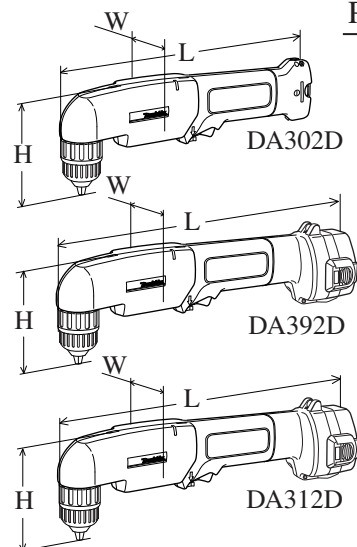
DA302D 7.2V : The succession of the existing Model DA301D.

DA392D 9.6V : The succession of the existing Model DA392D equipped with pod type battery with push button.

DA312D : 12V version of Model DA392D

The variations of these models are as listed below.

Model No.	Battery	Type of cell	Q'ty	Charger
DA302D	without any battery and charger			
*DA302DW	7000 (1.3Ah)	Ni-Cd	1pc.	DC9710
*DA302DWB	7033 (2.2Ah)	Ni-MH	1pc.	DC9711
DA392DZ	without any battery and charger			
*DA392DW	9120 (1.3Ah)	Ni-Cd	1pc.	DC9710
*DA392DWA	9122 (2.0Ah)	Ni-Cd	1pc.	DC9711
*DA392DWD	9134 (2.6Ah)	Ni-MH	1pc.	DC9711
*DA392DWF	9135 (3.0Ah)	Ni-MH	1pc.	DC9711
DA312DZ	without any battery and charger			
*DA312DWA	1222 (2.0Ah)	Ni-Cd	1pc.	DC1411
*DA312DWD	1234 (2.6Ah)	Ni-MH	1pc.	DC1411
*DA312DWF	1235 (3.0Ah)	Ni-MH	1pc.	DC1411



Dimensions : mm (")			
Model No.	DA302D	DA392D	DA312D
Length (L)	296 (11-5/8)	324 (12-3/4)	324 (12-3/4)
Height (H)	104 (4-1/8)	104 (4-1/8)	104 (4-1/8)
Width (W)	59 (2-5/16)	77 (3)	94 (3-11/16)

Remark : Models marked with * come with plastic carrying case.

Specification

Model No.	DA302D	DA392D	DA312D
Specifications			
D/C Voltage (V)	7.2	9.6	12
No load speed : (min -1= rpm)		0 - 800	
Chuck ability : mm (")		0.8 - 10 (1/32 - 3/8)	
Drilling capacity : mm (")	in Steel	10 (3/8)	10 (3/8)
	in Wood	10 (3/8)	12 (1/2)
	Screw	Wood screw 4.5x20 (3/16x3/4)	
Max. fastening torque	N.m	Approx. 4.0	Approx. 5.0
	Kgf.cm	Approx. 40.8	Approx. 51.0
	ft.lbs	Approx. 3.0	Approx. 3.7
Over current relay		Yes	
Electric brake		Yes	
Reverse switch		Yes	
Net weight :Kg (lbs)	1.1 (2.4)	1.3 (2.9)	1.4 (3.1)

Standard equipment

* Battery cover 1 pc. (except Model DA302D, DA392DZ, DA312DZ)

* Plastic carrying case 1 pc. (except Model DA302D, DA392DZ, DA312DZ)

< Note > The standard equipment for the tool shown may differ from country to country.

► Optional accessories

- * Various drill bits for metal and wood working
- * Philips bit 1-65/2-45/2-65/2-110/2-150/2-250/
3-45/3-65/3-110
- * Slotted bit 5-45/6-70/5-82/6.35-45/8-45/8-70
- * Buff 125
- * Wool bonnet 100
- * Rubber pad assembly

/ 1200A / 1202 / 1202A

For DA302D

- * Battery 7000 / 7002 / 7033
- * Charger DC9710 / DC9711 / DC1201 / DC1411
DC1422 / DC1439 / DC1470 / DC1801

For DA392D

- * Battery 9100 / 9102 / 9102A / 9120 / 9122 / 9133 / 9134 / 9135
9135A

- * Charger DC9710 / DC9711 / DC1201 / DC1411
DC1422 / DC1439 / DC1470 / DC1801

- * Set plate for battery 9100 / 9102 / 9102A

For DA312D

- * Battery 1200 / 1200A / 1202 / 1202A / 1220 / 1222 / 1233 /
1234 / 1235 / 1235A

- * Charger DC1201 / DC1411 / DC1422 / DC1439
/ DC1470 / DC1801

- * Set plate for battery 1200 / 1200A / 1202 / 1202A

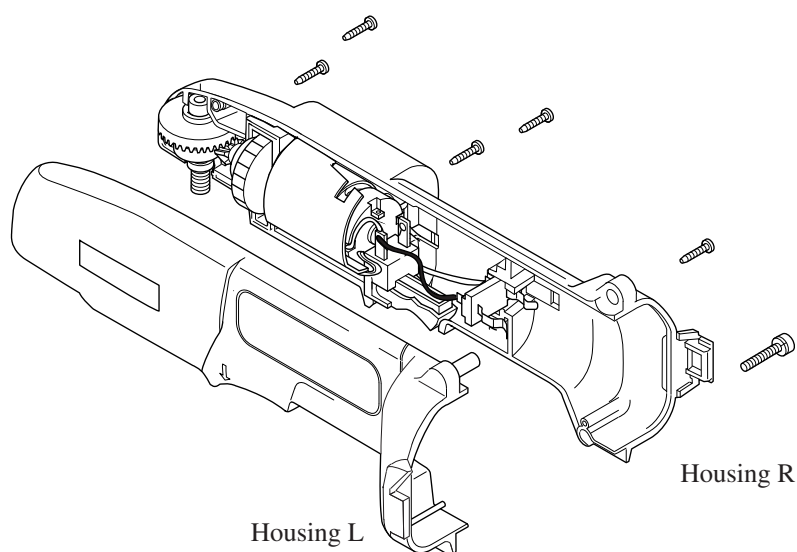
► Repair




< 1 > Disassembling

Put the machine with facing housing R to the upper side. And unscrew tapping screws and pan head screws. Reverse the machine, and separate housing L from housing R. Then, the parts can be taken off from housing R.

< 2 > Assembling

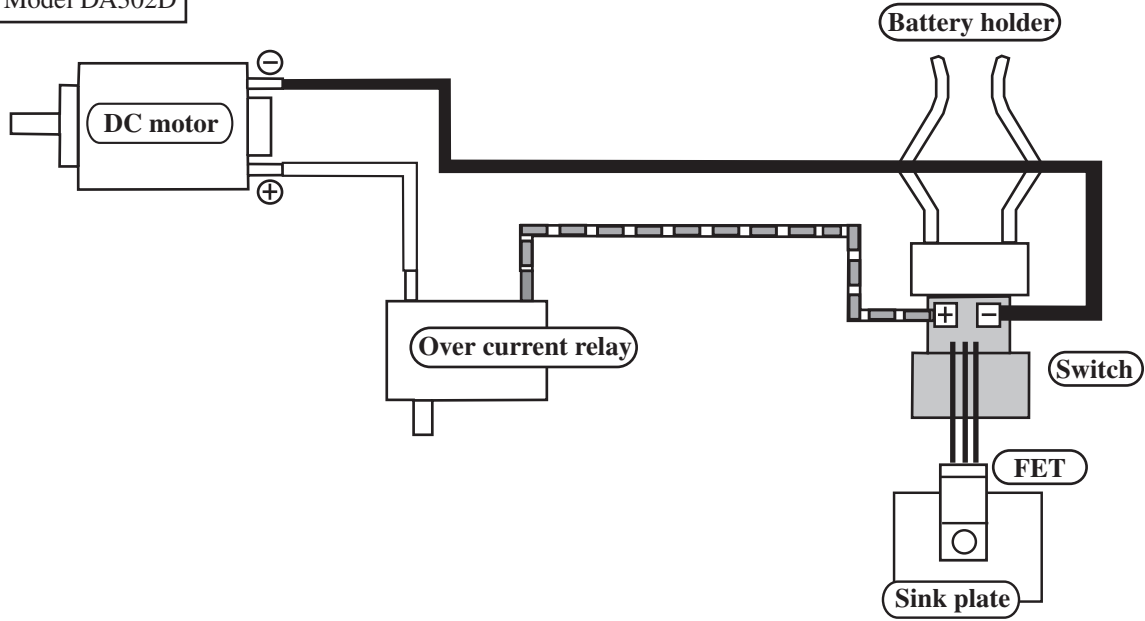
Put housing L on housing R to which the parts have been assembled in advance. And fasten screws.



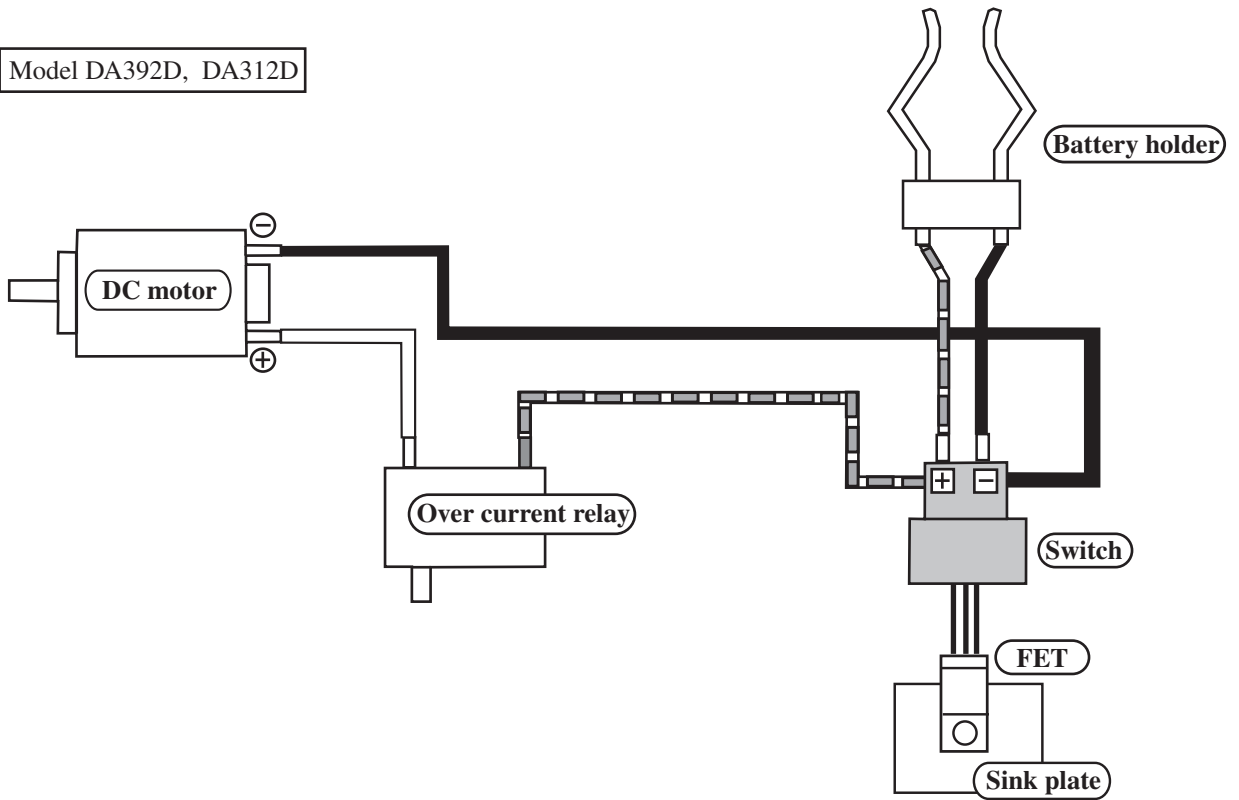
Color index of lead wires	
Black	
White	
Red	

In case of Model DA302D, battery holder is an integrated part of switch. Therefore, no lead wires are used between battery holder and switch.

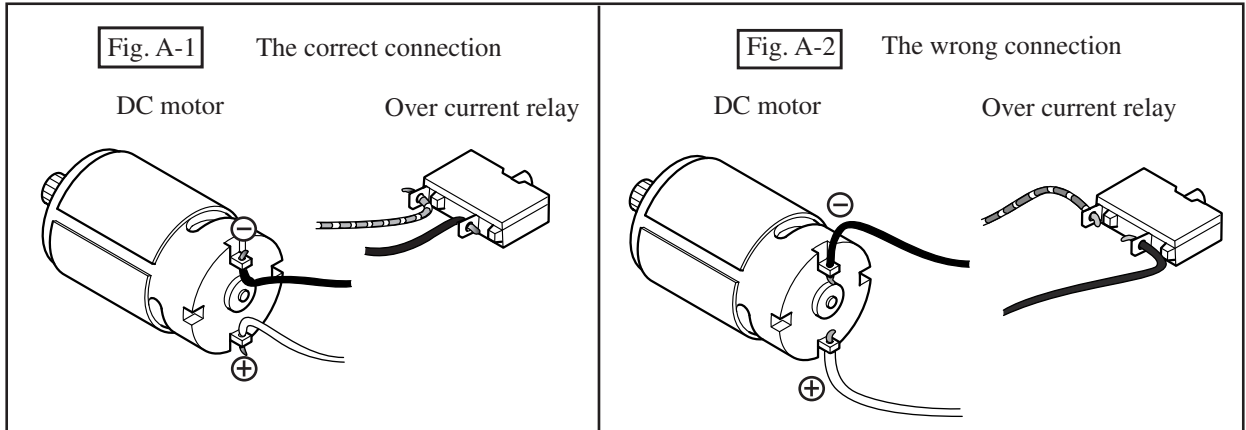
Model DA302D



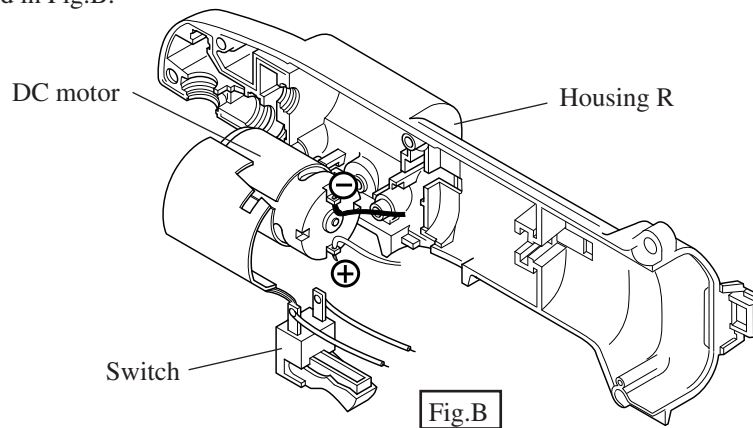
Model DA392D, DA312D



- (1) When soldering the lead wires to terminals of switch and over current relay, pass the lead wires from inside to outside as illustrated in Fig. A-1, instead of Fig. A-2.



- (2) When assembling motor to housing R, its + terminal (white lead wire side) has to come on the switch side as illustrated in Fig.B.



- (3) Pass the following lead wires between rib A and B, and fix them with lead holder below.

- * Red lead wire of over current relay to be connected to switch
- * White lead wire of over current relay to be connected to DC motor
- * 3 FET lead wires to be connected to switch

- (4) Assemble heat sink deep in the housing R firmly. Otherwise, impossible to assemble housing L.

- (5) Be careful, not to pinch the lead wires at the portion surrounded with circle, when assembling housing L.

