

T ECHNICAL INFORMATION



New Tool

Models No. ▶ DA301D

Description ▶ 10mm (3/8") Cordless Angle Drill

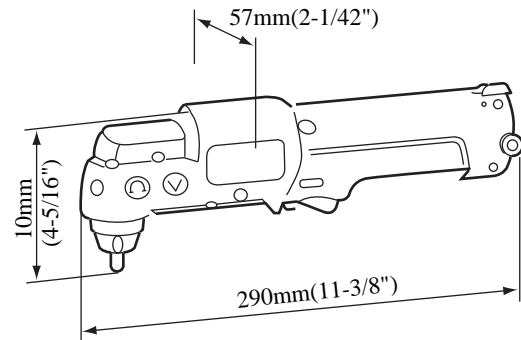
CONCEPTION AND MAIN APPLICATIONS

Model DA301D/DW is the same as the existing Model DA3000D/DW except the following.

	No load speed	Electric brake
DA301D/DW		Yes
DA3000D/DW	700 R/min.	No

Model DA301D is sold without a battery cartridge and a fast charger.

Model DA301DW includes a battery cartridge 7000 and a fast charger DC7100.



► Specifications

DC Magnet Motor		7.2V
Capacities	Steel	10mm(3/8")
	Wood	10mm(3/8")
	Wood Screws	4.5mm(3/16") X 20mm(3/4")
No Load Speed		0-700 R/min.
Max. Fastening Torque		About 40 Kg.cm(2.9 ft.lbs)
Net Weight		1.2Kg (2.6 lbs)

► Standard equipment

Chuck Key S10, Battery Cartridge 7000, Fast Charger DC7100 (DA301DW only), Plastic Carrying Case (DA301DW only)

► Optional accessories

Battery Cartridge 7000, Various size of Drill Bits, Various size of Phillips Bits, Various size of Slotted Bits, Foam Polishing Pad 125, Wool Bonnwt 100, Rubber Pad Assembly, Various size of Abrasive Discs, Fast Charger DC7100, DC9700, DC9015, DC7112, Plastic Carrying Case

The standard equipment for the tools shown may differ form country to country.