

# T ECHNICAL INFORMATION



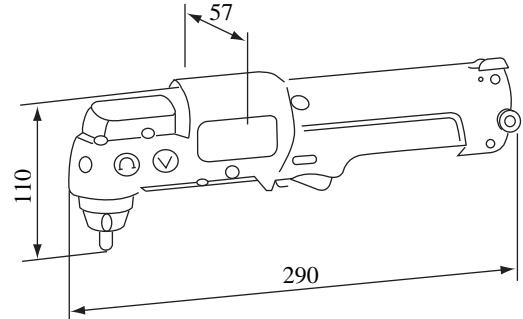
New Tool

**Models No.** ▶ DA3000D

**Description** ▶ 10mm Battery Powered Angle Drill Unit

## CONCEPTION AND MAIN APPLICATIONS

This battery powered angle drill unit suitable for drilling in the limited space was developed to expand our battery powered tool series, to widen uses of the battery powered tools, and to respond to the market needs. Our competitors do not manufacture similar products. DA3000D is made up of DA3000D (10mm battery powered angle drill unit) and DC7000 (Boosting charger).



### ▶ Specifications

<b>Motor</b>	D.C. 7.2 V magnet motor RS-550S	
<b>No load speed</b>	700rpm	
<b>Chuck capacity</b>	1.5-10mm	
<b>Max. capacity</b>	<b>Iron</b>	10mm
	<b>Wood</b>	10mm
<b>Capability (wood screw)</b>	4.5mm x 20mm	

### ▶ Standard equipment

Drill chuck S10

### ▶ Optional accessories

Battery 7000

Drills of 1.5, 2, 3, 4, 5, & 6

Wood working drills of 9

Flat tip bits of 5-45, 5-82, 6-70, & 6.35-45

Cross tip bits of 1-65, 2-45, 2-65, 2-110, & 2-150

Rubber pad assembly, wool bonnet

Buff 125.

The standard equipment for the tools shown may differ from country to country.