

TECHNICAL INFORMATION



PRODUCT

P 1/11

Models No. ▶ CL072D, CL102D (LC02)*1

Description ▶ Cordless Cleaner

CONCEPT AND MAIN APPLICATIONS

Models CL072D and CL102D (LC02)*1 are handy cordless cleaners powered by Makita Li-ion battery; CL072D by 7.2V/1.0Ah battery BL7010, CL102D by 10.8V/1.3Ah batteries BL1013 or BL1014.

Their main benefits are:

- Capable of accepting disposable paper dust bag as well as cloth dust bag
- Touch button switch with High/ Low suction power settings; “no trigger” handle provides easy and comfortable handling.

These products are available in the following variations.

CL072D

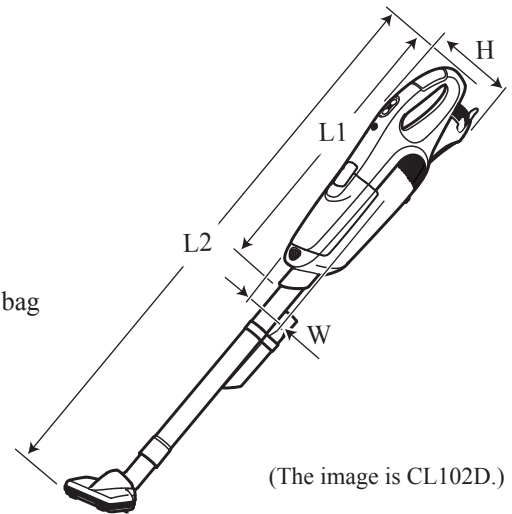
Model No.	Housing color	Battery		Charger	Offered to
		Type	Q'ty		
CL072DS	Ivory	BL7010	1	DC07SA	All countries
CL072DZ		No	No	No	
CL072DSX	Makita blue	BL7010	1	DC07SA	
CL072DZX		No	No	No	

CL102D (LC02)*1

CL102DW	Ivory	BL1013	1	DC10WA	All countries
CL102DZ		No	No	No	
CL102DWX	Makita blue	BL1013	1	DC10WA	All countries except North and Central American countries.
CL102DZX		No	No	No	
LC02X1*1	Makita blue	BL1014	1	DC10WB	North and Central American countries except Mexico.
				DC10WA	Mexico

All models also include the accessories listed below in "Standard equipment".

*1: Model no. for North and Central American countries.



(The image is CL102D.)

Dimensions: mm (")		
	CL072D	CL102D (LC02)*1
Length (L1)	461 (18-1/8)	
Length (L2)	984 (38-3/4)	
Width (W)	113 (4-7/16)	
Height (H)	146 (5-3/4)	150 (5-7/8)

Specification

Specification		Model	CL072D	CL102D (LC02)*1
Battery	Cell		Li-ion	
	Voltage: V		7.2	10.8
	Capacity: Ah		1.0	1.3
	Charging time (approx.): min.		30 with DC07SA	50 with DC10WA
Max. air flow: m ³ /minute			0.9	
Max. sealed suction: kPa (mmH ₂ O)			2.3 (230)	
Suction power: W		High	14	
		Low	6	
Continuous use (approx.) on a single full battery charge: minute		High	8	13
		Low	16	21
Dust capacity: mL	Cloth dust bag		500	
	Paper dust bag		330	
Weight according to EPTA-Procedure 01/2003*2: kg (lbs)			1.0 (2.2)	1.1 (2.4)

*2: with Battery, without T-nozzle, Extension pipe and Sash nozzle

Standard equipment

- Nozzle assembly (T-nozzle) 1
- Pipe (Extension pipe) 1
- Sash nozzle 1
- Sash nozzle holder 1
- Cloth dust bag 1
- Paper dust bag 5

Note: The standard equipment for the tool shown above may vary by country.

Optional accessories

- Battery BL7010 (CL072D only),
- Battery BL1013 (CL102D/ LC02*1 only),
- Battery BL1014 (LC02*1 only; for North and Central American countries),
- Charger DC07SA (CL072D only),
- Charger DC10WA (CL102D/ LC02*1 only; for all countries except U.S., Canada, Panama and Columbia),
- Charger DC10WB (CL102D/ LC02*1 only; for U.S., Canada, Panama and Columbia),

- Nozzle assembly (for rug/ carpet),
- Shelf brush,
- Flexible hose,
- Round brush,
- Cloth dust bag,
- Paper dust bag

► Repair

CAUTION: Repair the machine in accordance with “Instruction manual” or “Safety instructions”.

[1] NECESSARY REPAIRING TOOLS

It is enough to employ the tools in market for repairing this product.

[2] LUBRICATIONS

It is not required to lubricate the gear section because the portion is replaced as a factory-lubricated gear unit.

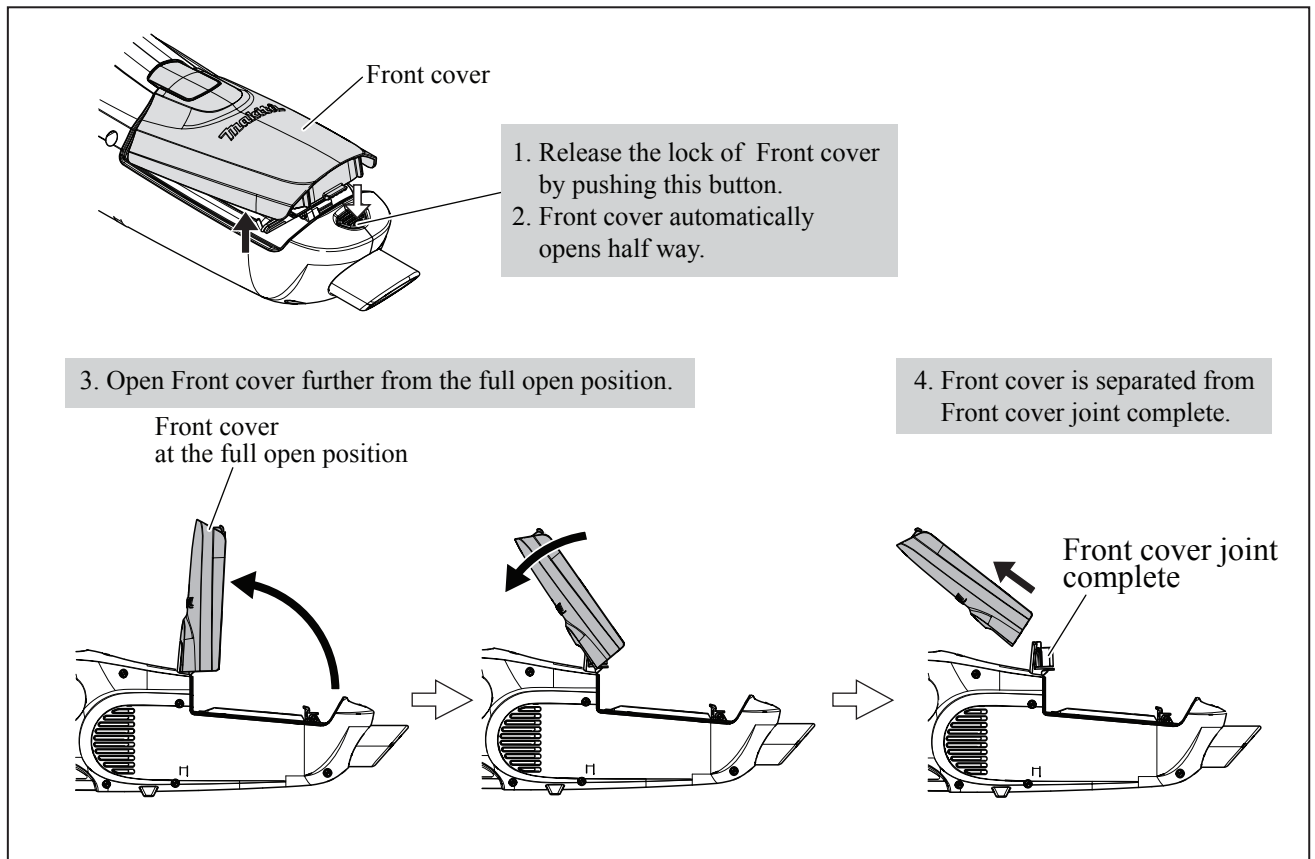
[3] DISASSEMBLY/ASSEMBLY

[3]-1. Front Cover

DISASSEMBLING

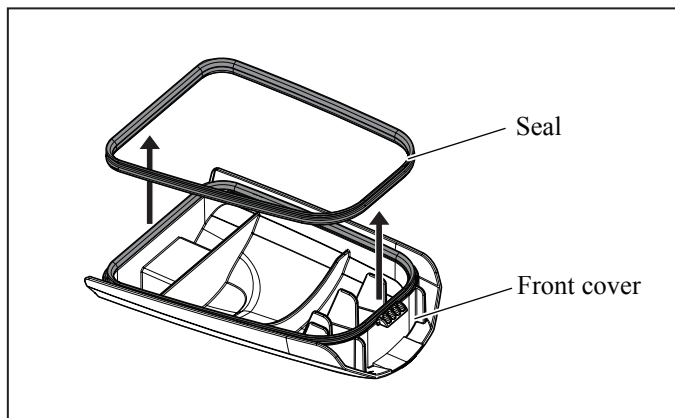
(1) Remove Front cover. (Fig. 1)

Fig. 1



(2) Remove Seal from Front cover. (Fig. 2)

Fig. 2



► **Repair**

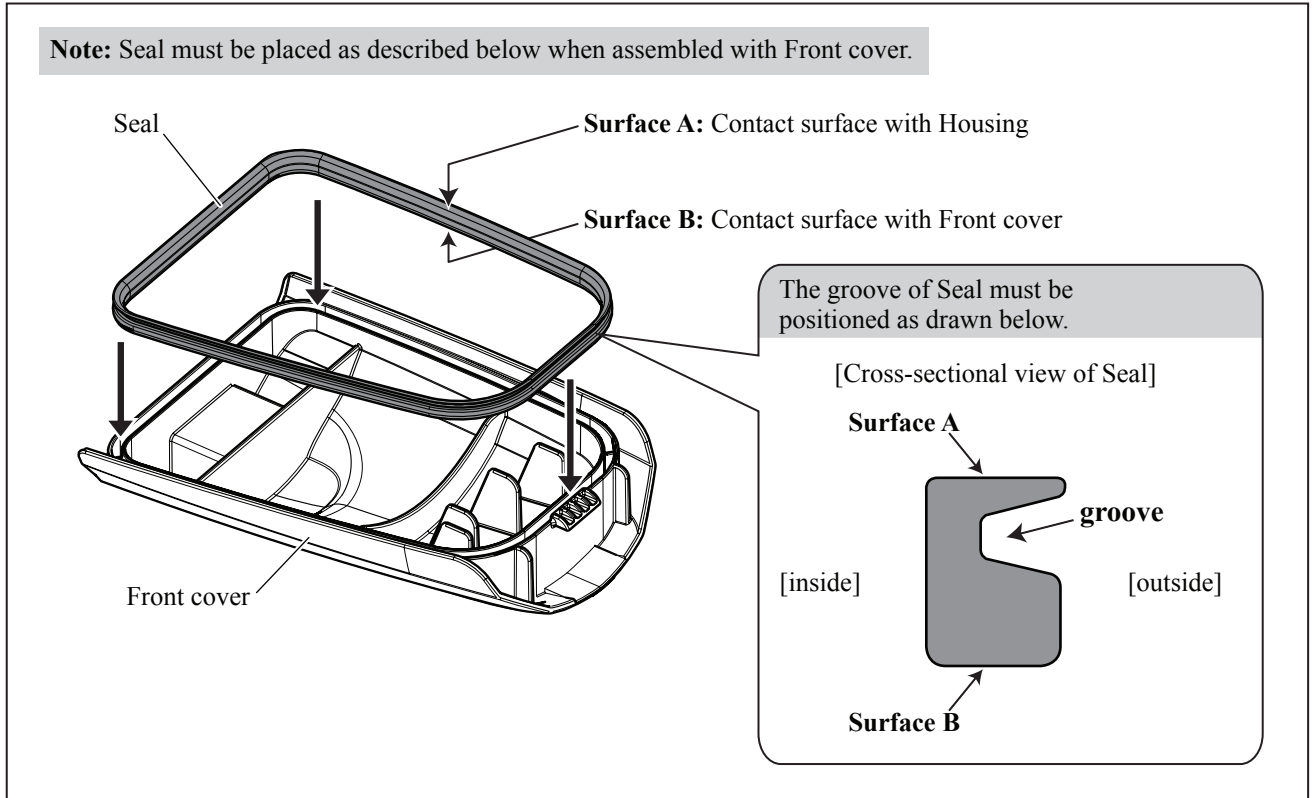
[3] DISASSEMBLY/ASSEMBLY

[3]-1. Front Cover

ASSEMBLING

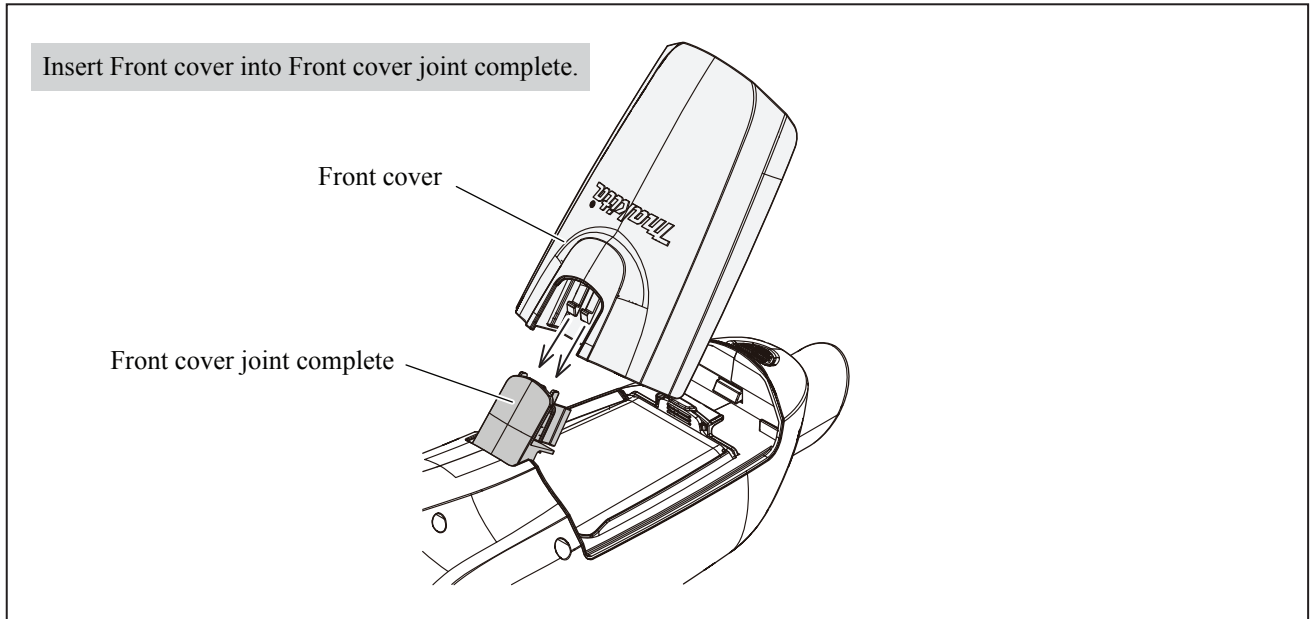
(1) Mount Seal to Front cover. (Fig. 3)

Fig. 3



(2) Mount Front cover to Front cover joint complete. (Fig. 4)

Fig. 4



► **Repair**

[3] DISASSEMBLY/ASSEMBLY

[3]-2. Motor Section

DISASSEMBLING

- (1) Disassemble Front cover from Housing. (**Fig. 1**)
- (2) Disassemble Motor section. (**Figs. 5, 6, 7**)

Fig. 5

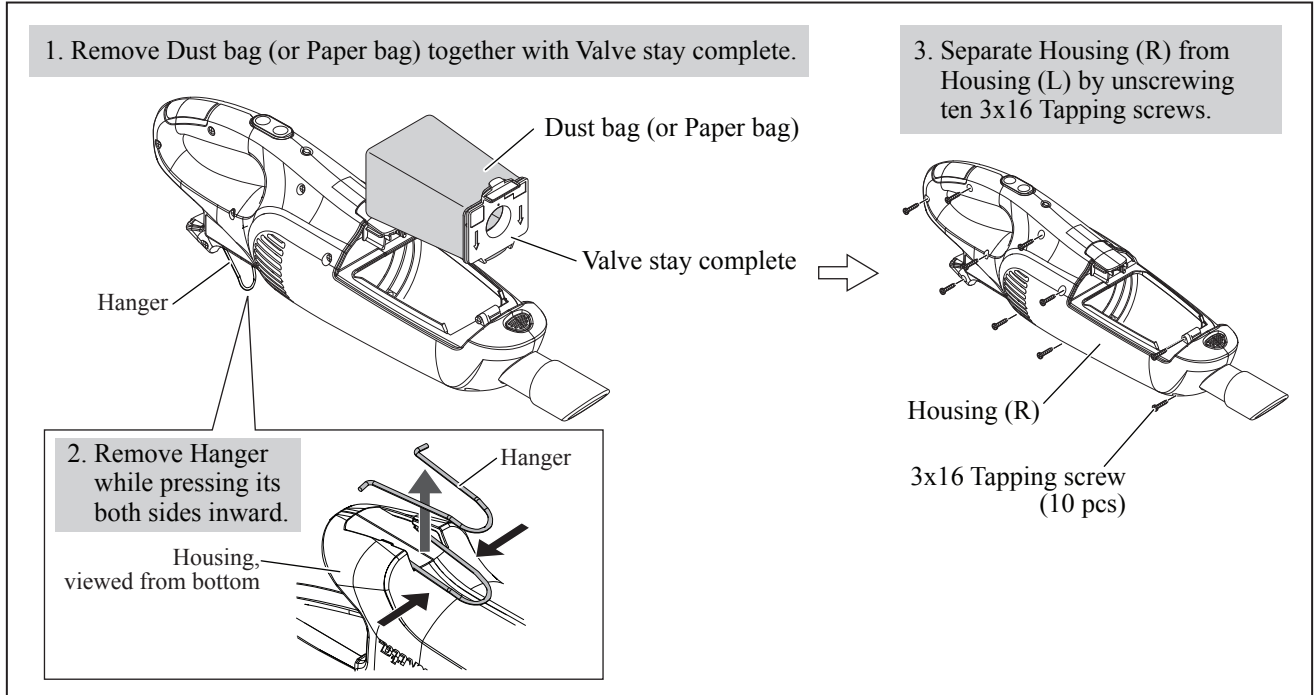


Fig. 6

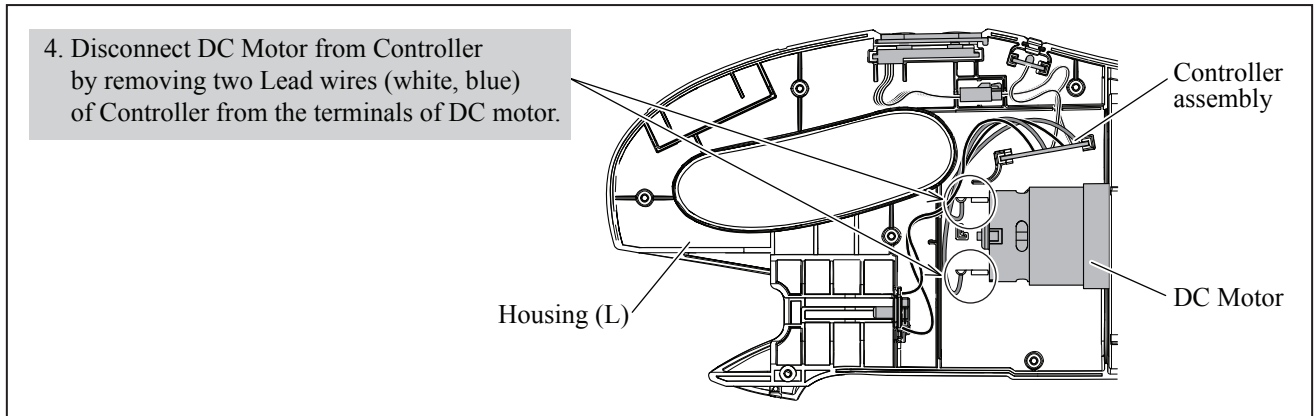
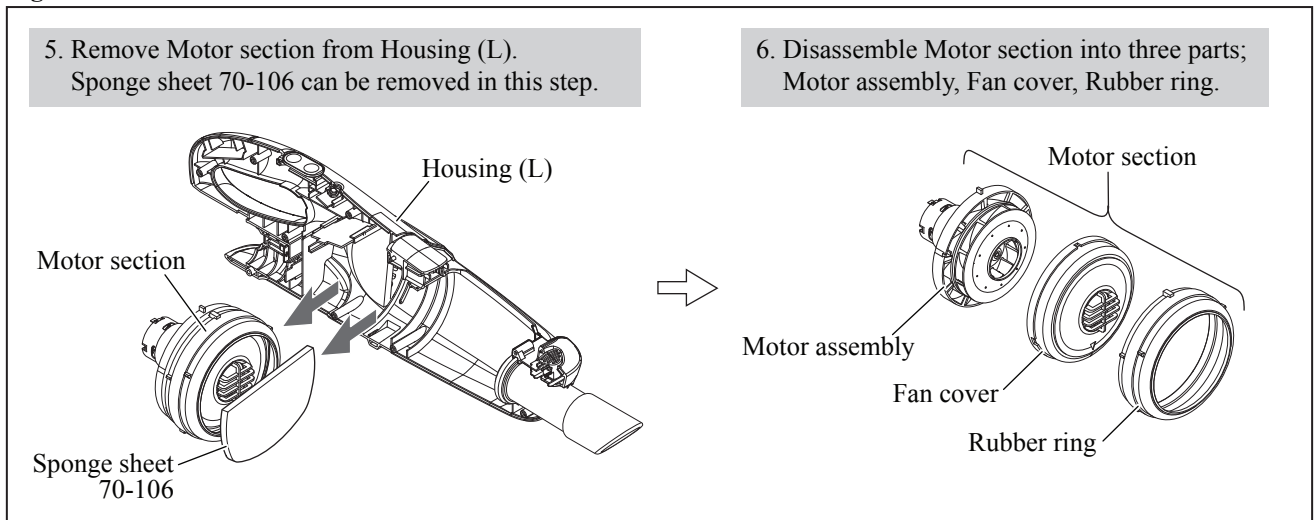


Fig. 7



► **Repair**

[3] DISASSEMBLY/ASSEMBLY

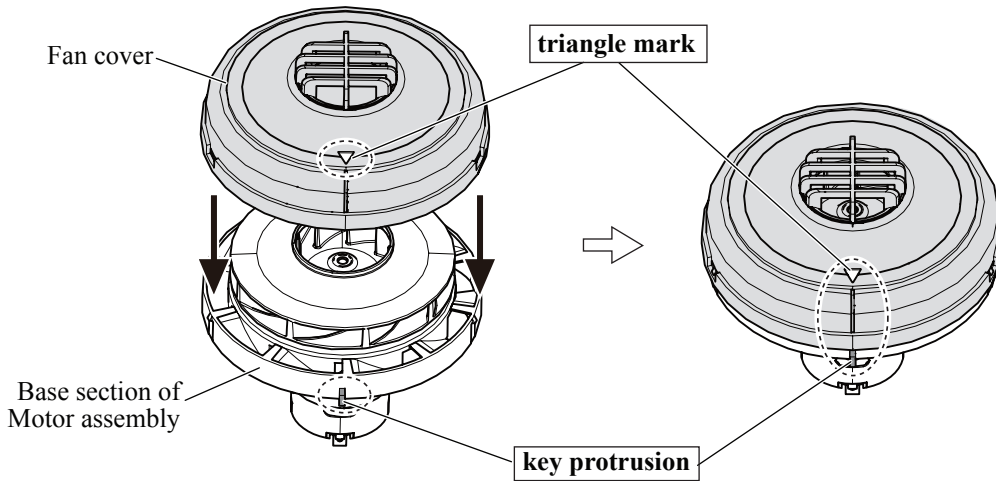
[3]-2. Motor Section

ASSEMBLING

(1) Assemble Motor section. (Fig. 8)

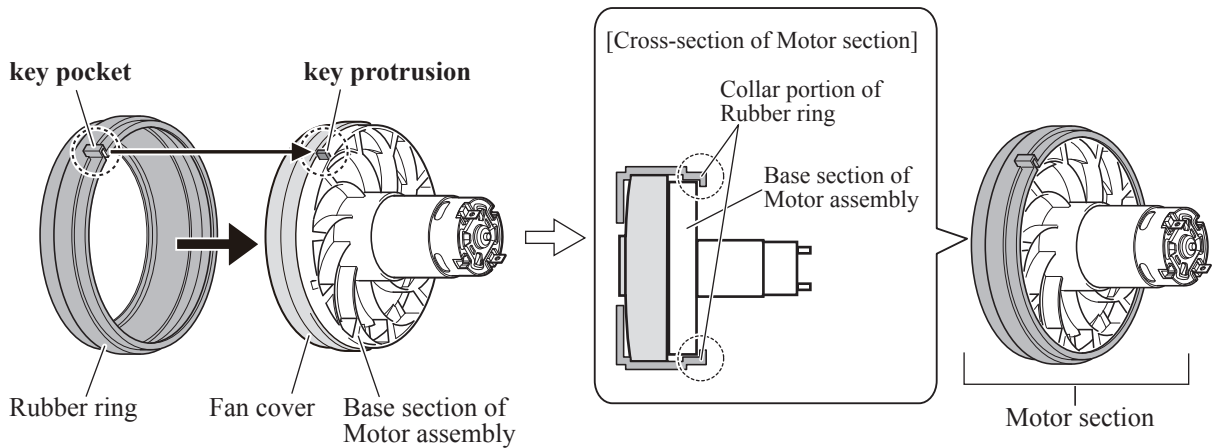
Fig. 8

1. Aligning the triangle mark on Fan cover with the key protrusion on the Base section of Motor assembly, mount Fan cover to Motor assembly.

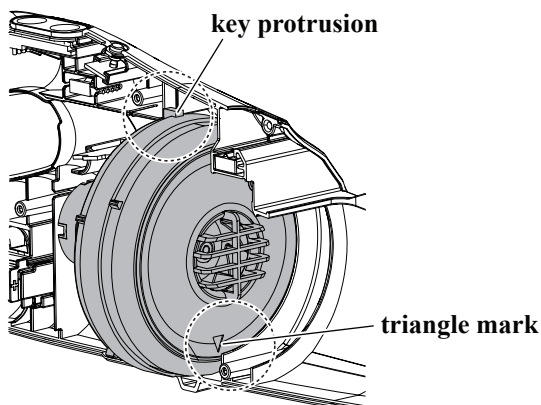


2. Engaging the key protrusion on the Base section of Motor assembly in the key pocket of Rubber ring, mount Rubber ring to Motor assembly.

Note: Push Motor assembly firmly in Rubber ring until the Base section of Motor assembly is positioned completely under the collar portion of Rubber ring.



3. Mount Motor section to Housing (L) with the key protrusion of Rubber ring on the top side. Then set Sponge sheet 70-106 in place.



► **Repair**

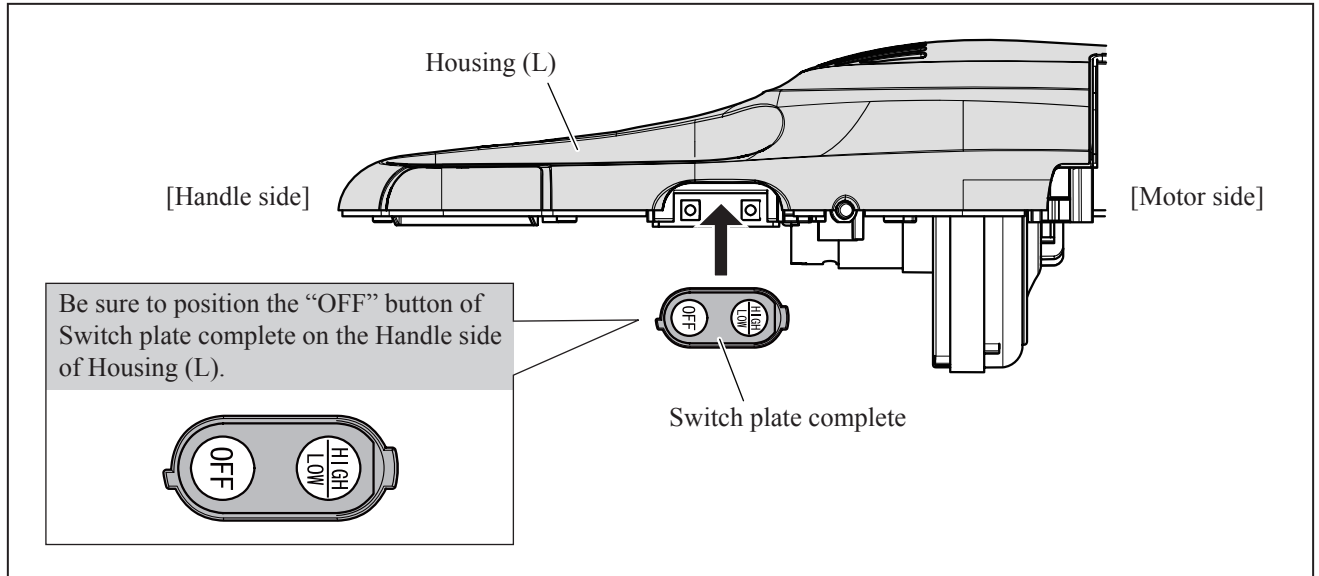
[3] DISASSEMBLY/ASSEMBLY

[3]-3. Switch Plate Complete

ASSEMBLING

Mount Switch plate complete on Housing (L). (**Fig. 9**)

Fig. 9

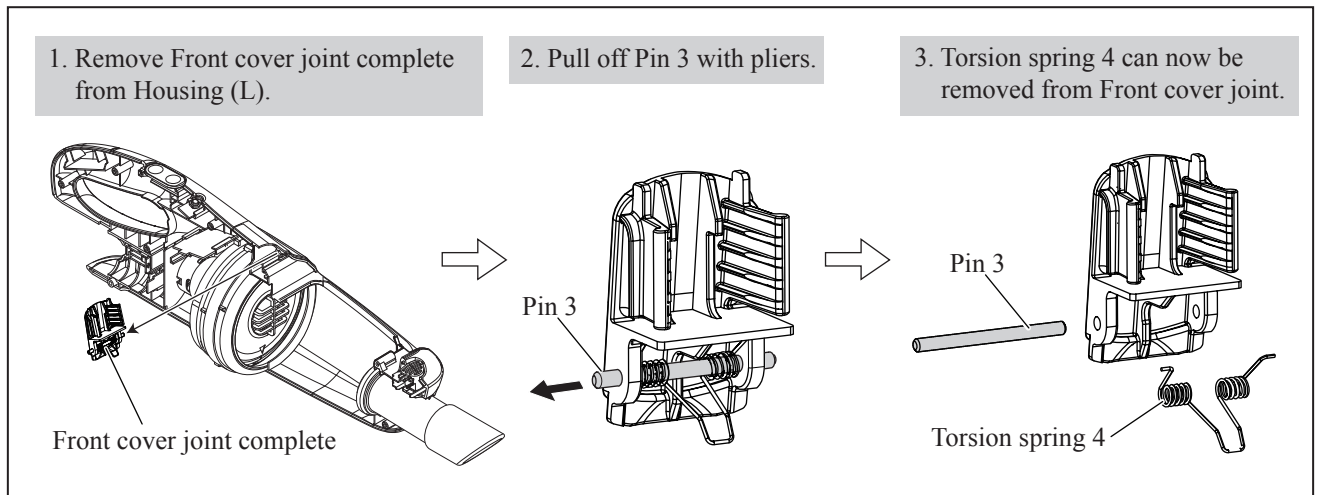


[3]-4. Front Cover Joint Complete

DISASSEMBLING

- (1) Separate Housing (R) (**Fig. 5**)
- (2) Disassemble Front cover joint. (**Fig. 10**)

Fig. 10



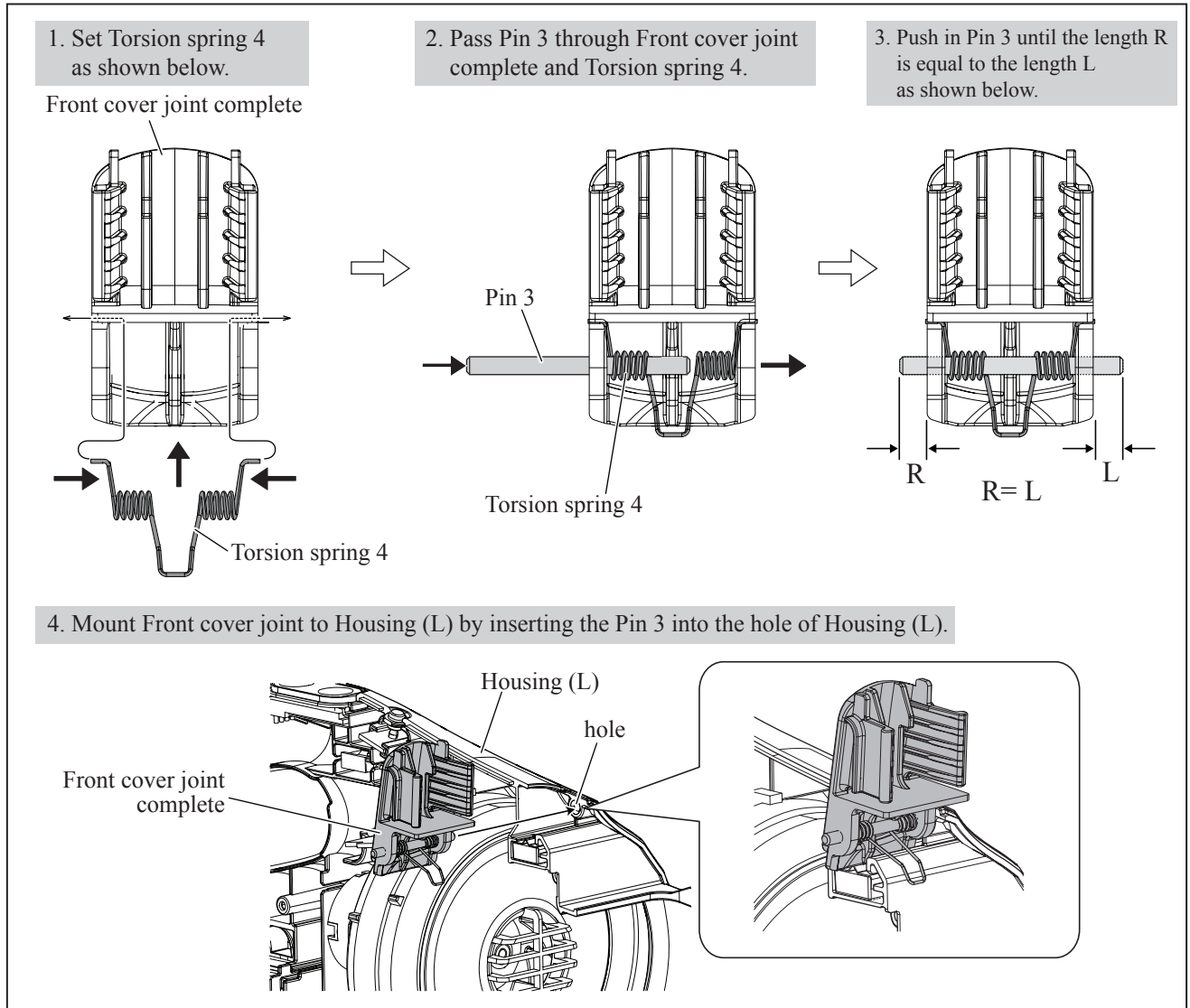
► **Repair**

[3] DISASSEMBLY/ASSEMBLY
[3]-4. Front Cover Joint Complete

ASSEMBLING

Assemble Front cover joint. (Fig. 11)

Fig. 11

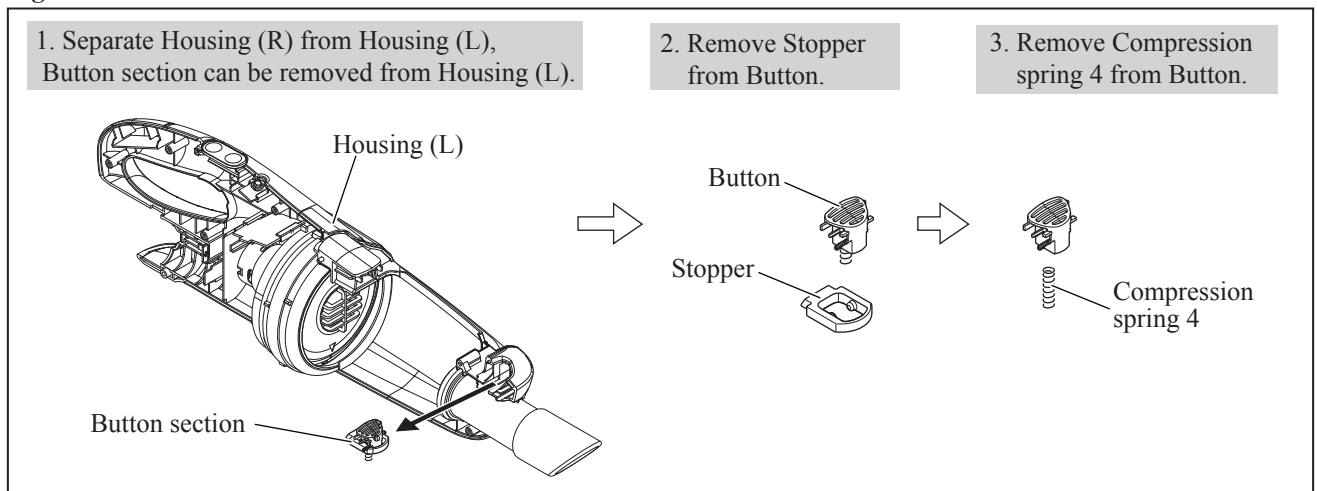


[3]-5. Button Section

DISASSEMBLING

Button Section can be disassembled as described in Fig. 12.

Fig. 12



► **Repair**

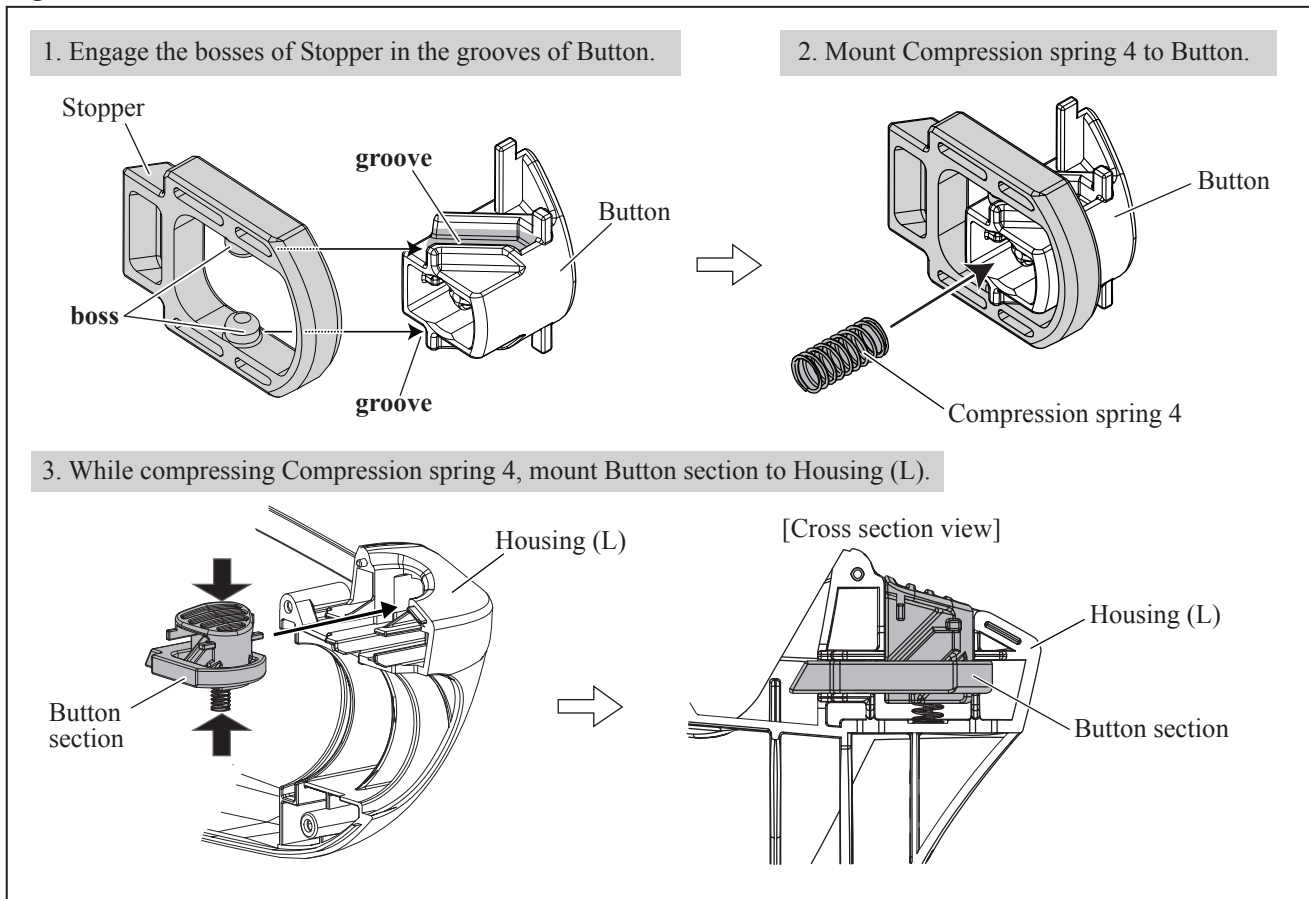
[3] DISASSEMBLY/ASSEMBLY

[3]-5. Button Section

ASSEMBLING

Assemble Button section. (Fig. 13)

Fig. 13

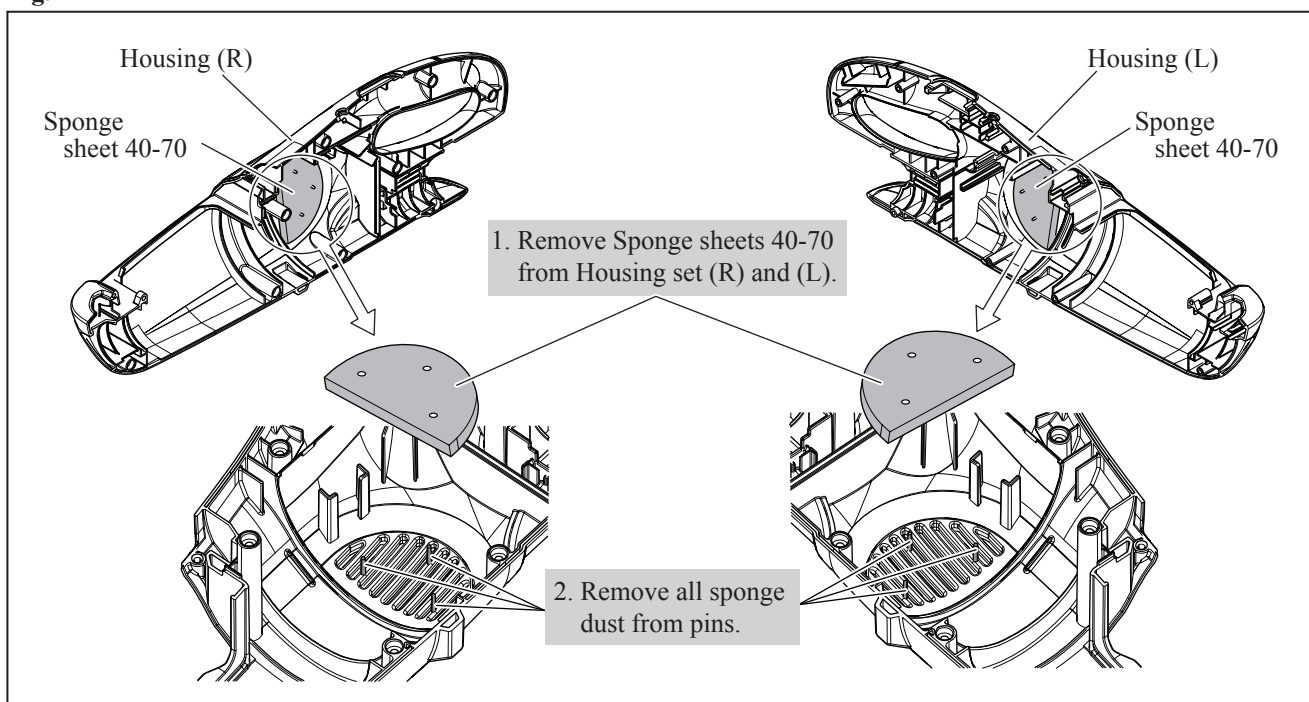


[3]-6. Sponge Sheet 40-70

DISASSEMBLING

Remove Sponge sheet 40-70 from Housing (R) and Housing (L). (Fig. 14)

Fig. 14



► Repair

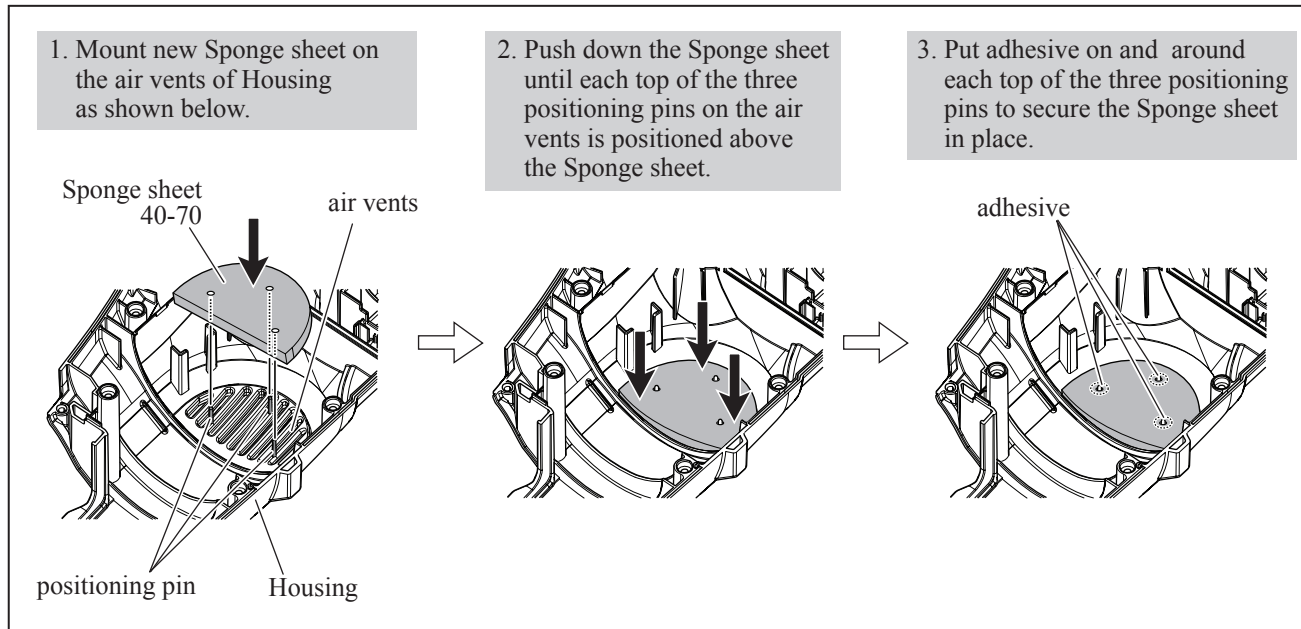
[3] DISASSEMBLY/ASSEMBLY

[3]-6. Sponge Sheet 40-70

ASSEMBLING

Mount Sponge sheet to Housing (R) and Housing (L). (**Fig. 15**)

Fig. 15



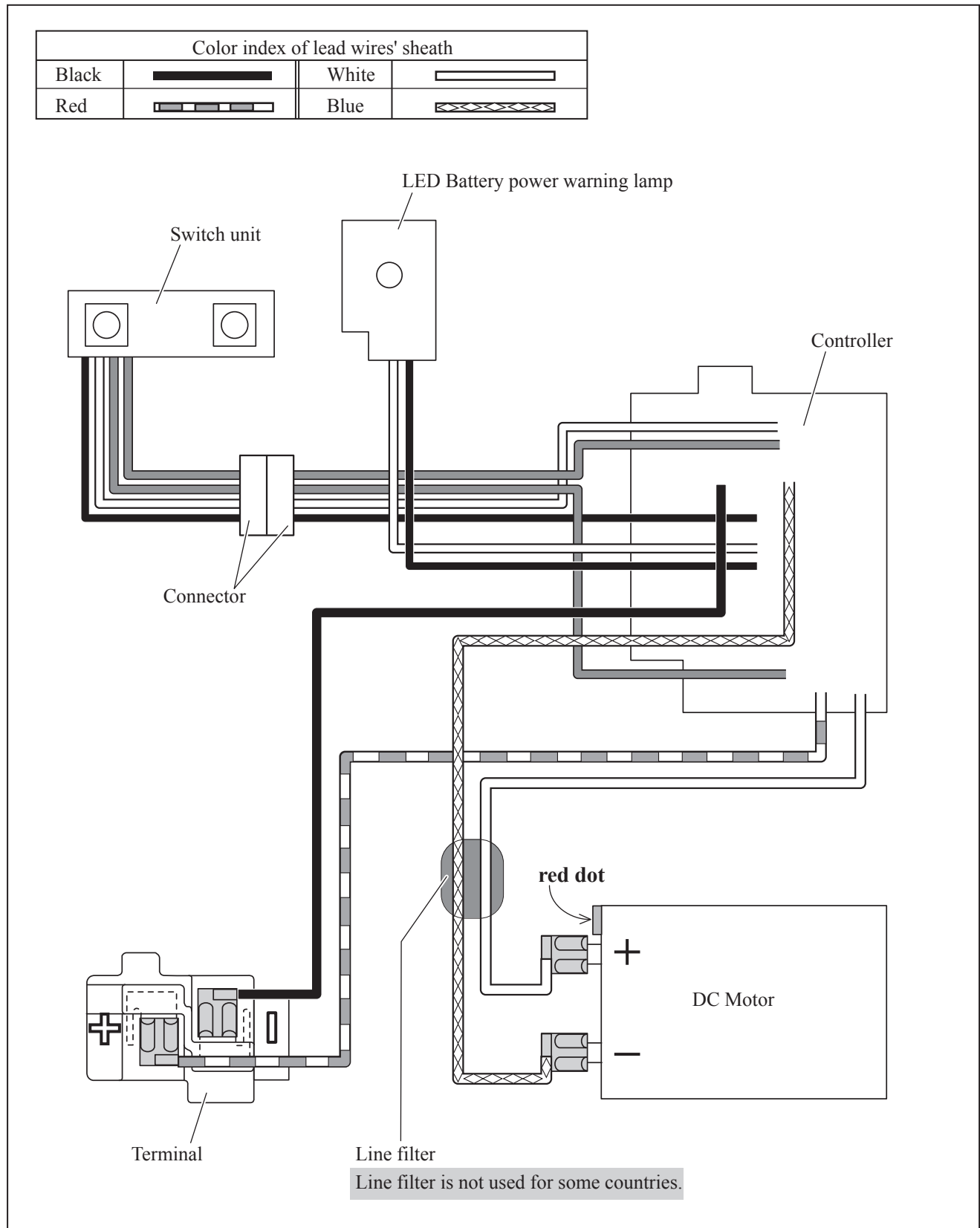
[3]-7. Cleaning

Whenever Housing is disassembled:

- Blow the dust off from the inside of Housing using an air duster.
- Make a cleaning of Sponge sheet 40-70 by blowing with an air duster from the out side of air vents.

► **Circuit diagram**

Fig. D-1



► **Wiring diagram**

Fig. D-2

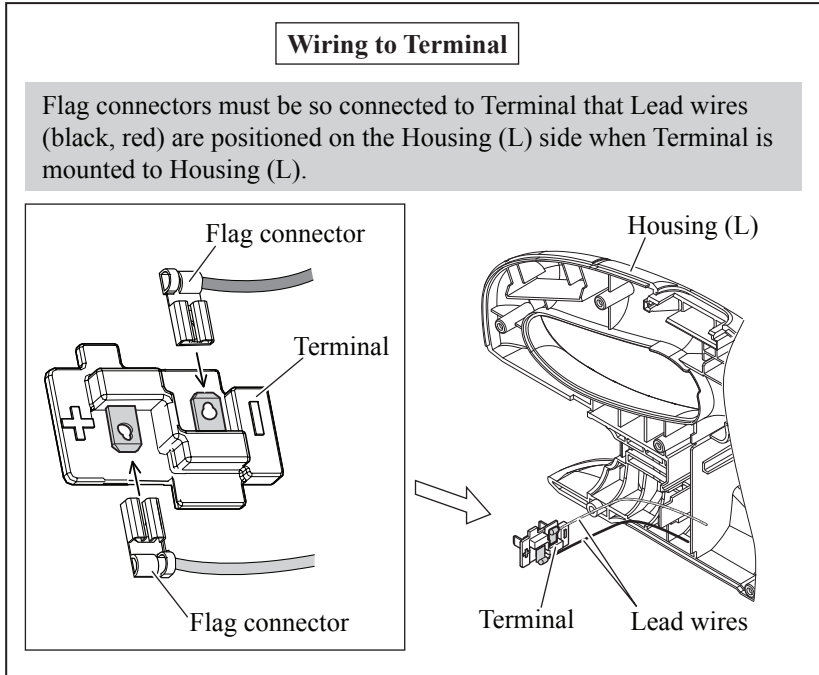


Fig. D-3

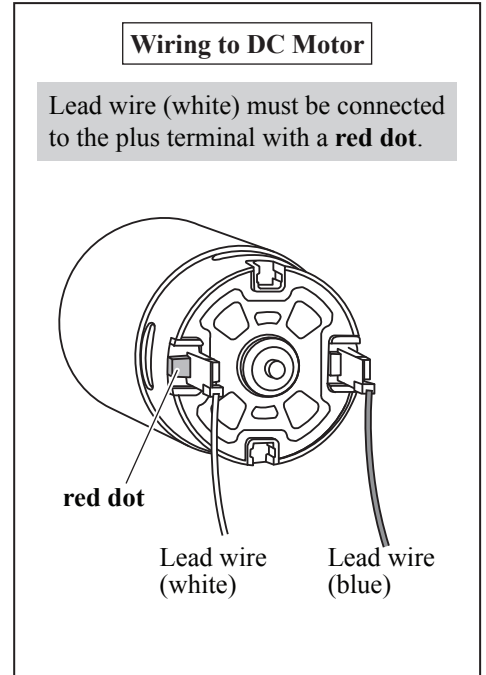


Fig. D-4

