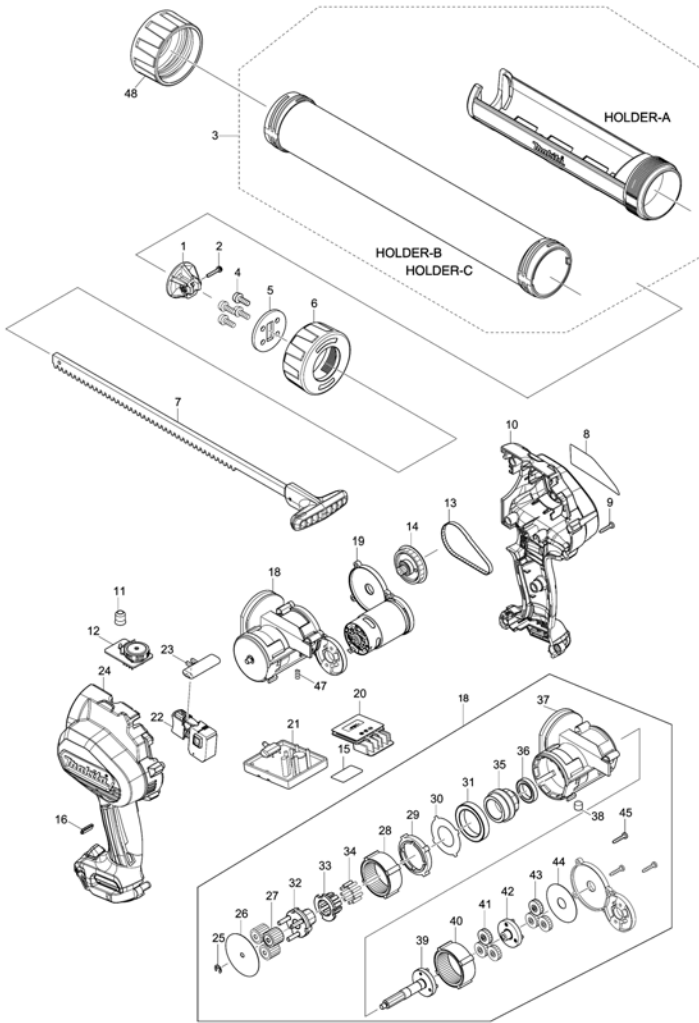


Model No.CG100D CORDLESS CAULKING GUN



Model No.CG100D CORDLESS CAULKING GUN

| Артикул | Детали | Описание | Замена | Количество | New/Old | Дополнительно 1 | Дополнительно 2 | Примечание |
|---------|----------|------------------------------------|--------|------------|---------|--------------------|--------------------|------------|
| 001A | 142071-2 | Поршень в сборе | | 1 | | | | |
| 001B | 142071-2 | Поршень в сборе | | 1 | | | | |
| 001C | 142072-0 | PISTON B COMPLETE | | 1 | | | | |
| 001D | 142072-0 | PISTON B COMPLETE | | 1 | | | | |
| 002 | 266827-0 | PAN HEAD SCREW M3X18 WITH WR | | 1 | | | | |
| 003A | 454275-7 | Держатель | | 1 | | | | |
| 003B | 454275-7 | Держатель | | 1 | | | | |
| 003C | 141861-0 | HOLDER B COMPLETE | | 1 | | | | |
| 003D | 141861-0 | HOLDER B COMPLETE | | 1 | | | | |
| 004 | 265074-0 | PAN HEAD SCREW M5X16 | | 4 | | | | |
| 005 | 346649-5 | Пластина | | 1 | | | | |
| 006A | 454223-6 | Держатель | | 1 | | | | |
| 006B | 454223-6 | Держатель | | 1 | | | | |
| 006C | 318958-2 | HOLDER JOINT B | | 1 | | | | |
| 006D | 318958-2 | HOLDER JOINT B | | 1 | | | | |
| 007A | 142041-1 | RACK 42 COMPLETE | | 1 | | | | |
| 007B | 142041-1 | RACK 42 COMPLETE | | 1 | | | | |
| 007C | 142042-9 | RACK 64 COMPLETE | | 1 | | | | |
| 007D | 142042-9 | RACK 64 COMPLETE | | 1 | | | | |
| 008 | 853S37-8 | CG100D NAME PLATE | | 1 | * | | | |
| 008-1 | 853S36-0 | CG100D NAME PLATE | < | 1 | | | | |
| 009 | 266429-2 | Самонарезающий винт 3X16 | | 9 | | | | |
| 010 | 183H54-1 | HOUSING SET | | 1 | | | | |
| C10 | 252126-6 | Шестигр.стопорная гайка M4-7 | | 2 | | | | |
| D10 | | INC. 24 | | | | | | |
| 011 | 418821-0 | Линза | | 1 | | | | |
| 012 | 620180-2 | Контроллер | | 1 | | | | |
| 013 | 225097-0 | Ремень | | 1 | | | | |
| 014 | 142038-0 | Прямозубая шестерня | | 1 | | | | |
| 015 | 853S38-6 | CG100D SERIAL NO. LABEL | | 1 | | | | |
| 016 | 454230-9 | Защитное стекло | | 1 | | | | |
| 018 | 126253-4 | Кулачковый привод | | 1 | | | | |
| D10 | | INC. 25-45 | | | | | | |
| 019 | 144848-1 | MOTOR COMPLETE | | 1 | | | | |
| 020 | 644813-5 | TERMINAL | | 1 | | | | |
| 021 | 632K96-5 | CONTROLLER UNIT | | 1 | | | | |
| C10 | 620762-0 | LED CIRCUIT | | 1 | | | | |
| C20 | 688172-7 | Изоляционная втулка к BUC122 | | 1 | | | | |
| 022 | 650632-9 | Выключатель для BTD133 | | 1 | | | | |
| 023 | 451162-1 | LOCK LEVER | | 1 | | | | |
| 024 | 183H54-1 | HOUSING SET | | 1 | | | | |
| C10 | 252126-6 | Шестигр.стопорная гайка M4-7 | | 2 | | | | |
| D10 | | INC. 10 | | | | | | |
| 025 | 961011-9 | Стопорное кольцо E-4 к HR2450/ | | 1 | | | | |
| 026 | 267465-1 | FLAT WASHER 5 | | 1 | | | | |
| 027 | 227311-0 | SPUR GEAR 19B | | 3 | | | | |
| 028 | 227309-7 | INTERNAL GEAR 48 | | 1 | | | | |
| 029 | 144375-8 | SPACER COMPLETE | | 1 | | | | |
| 030 | 346721-3 | PLATE 23 | | 1 | | | | |
| 031 | 211294-4 | Подшипник 6806LLU | | 1 | | | | |
| 032 | 141860-2 | CARRIER A COMPLETE | | 1 | | | | |
| 033 | 313253-5 | CARRIER B | | 1 | | | | |
| 034 | 256255-7 | Шпилька 3 JN3201 | | 9 | | | | |
| 035 | 227312-8 | SPUR GEAR 10 | | 1 | | | | |
| 036 | 211482-3 | BALL BEARING 6803LLU | | 1 | | | | |
| 037 | 454219-7 | GEAR HOUSING | | 1 | | | | |
| 038 | 313257-7 | MAGNET | | 1 | | | | |
| 039 | 141859-7 | SPUR GEAR 9C COMPLETE | | 1 | | | | |
| 040 | 227309-7 | INTERNAL GEAR 48 | | 1 | | | | |
| 041 | 227310-2 | SPUR GEAR 19A | | 3 | | | | |
| 042 | 141858-9 | SPUR GEAR 9B COMPLETE | | 1 | | | | |
| 043 | 227310-2 | SPUR GEAR 19A | | 3 | | | | |
| 044 | 267466-9 | FLAT WASHER 12 | | 1 | | | | |
| 045 | 266429-2 | Самонарезающий винт 3X16 | | 3 | | | | |
| 047 | 234315-5 | COMPRESSION SPRING 6 | | 1 | | | | |
| 048C | 318958-2 | HOLDER JOINT B | | 1 | | | | |
| 048D | 318958-2 | HOLDER JOINT B | | 1 | | | | |
| A01 | 195246-2 | Защитные очки | | 1 | * | | | |
| A02B | 821710-4 | PLASTIC CASE | | 1 | | | | |
| C10 | 162271-8 | Защелка пласт. для кейса HM1213 | | 2 | | | | |
| A02C | 123221-8 | PISTON C ASSEMBLY | | 1 | | | | |
| C10 | 424546-6 | RUBBER SEAL | | 1 | | | | |
| A02D | 123221-8 | PISTON C ASSEMBLY | | 1 | | | | |

Model No.CG100D CORDLESS CAULKING GUN

| Артикул | Детали | Описание | Замена | Количество | New/Old | Дополнительно 1 | Дополнительно 2 | Примечание |
|---------|-----------|---------------------------------|--------|------------|---------|--------------------|--------------------|------------|
| C10 | 424546-6 | RUBBER SEAL | | 1 | | | | |
| A03B | ***DC10WC | DC10WC BATTERY CHARGER | | 1 | * | | | |
| D10 | | COMPO-PARTS | | | * | | | |
| A03C | 142071-2 | Поршень в сборе | | 1 | | | | |
| A03D | 142071-2 | Поршень в сборе | | 1 | | | | |
| A03-1B | ***DC10WD | DC10WD BATTERY CHARGER | < | 1 | | | | |
| D10 | | COMPO-PARTS | | | | | | |
| A04B | 197394-3 | BATTERY BL1020B SET | | 2 | * | | | |
| A04C | 266827-0 | PAN HEAD SCREW M3X18 WITH WR | | 2 | | | | |
| A04D | 266827-0 | PAN HEAD SCREW M3X18 WITH WR | | 2 | | | | |
| A04-1B | 197396-9 | BATTERY BL1021B SET | < | 2 | * | | | |
| A04-2B | 197396-9 | BATTERY BL1021B SET | O | 2 | | | | |
| A05B | 456128-6 | BATTERY COVER | | 2 | | | | |
| A05C | 424547-4 | RUBBER RING | | 1 | | | | |
| A05D | 424547-4 | RUBBER RING | | 1 | | | | |
| A06C | 454226-0 | NOZZLE | | 3 | | | | |
| A06D | 454226-0 | NOZZLE | | 3 | | | | |
| A07D | 821710-4 | PLASTIC CASE | | 1 | | | | |
| C10 | 162271-8 | Защелка пласт. для кейса HM1213 | | 2 | | | | |
| A08D | ***DC10WC | DC10WC BATTERY CHARGER | | 1 | * | | | |
| D10 | | COMPO-PARTS | | | * | | | |
| A08-1D | ***DC10WD | DC10WD BATTERY CHARGER | < | 1 | | | | |
| D10 | | COMPO-PARTS | | | | | | |
| A09D | 197394-3 | BATTERY BL1020B SET | | 2 | * | | | |
| A09-1D | 197396-9 | BATTERY BL1021B SET | < | 2 | * | | | |
| A09-2D | 197396-9 | BATTERY BL1021B SET | O | 2 | | | | |
| A10D | 456128-6 | BATTERY COVER | | 2 | | | | |

Please order the parts with part number.

Print Date 9/10/2020