

**Models No.** ▶ BO5020 BO5021

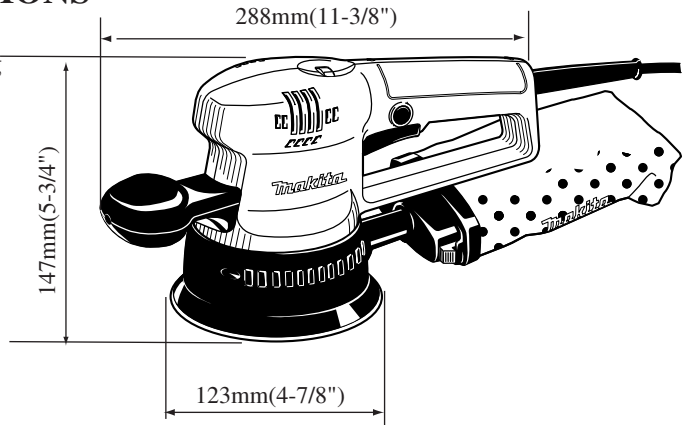
**Description** ▶ Random Orbit Sander

## CONCEPTION AND MAIN APPLICATIONS

Model BO5020/BO5021 are sister versions of the existing Model BO5010.

Their brief benefits are;

- \*Comfortable operation by holding both hands.
- \*Variable speed feature gives wider applications as sanding and polishing (BO5021 only)



### ▶ Specifications

Voltage (V)	Current (A)	Cycle (Hz)	Continuous Rating (W)		Max. Output(W)
			Input	Output	
100	2.7	50/60	260	100	150
110	2.4	50/60	260	100	150
120	2.0	50/60	220	65	150
220	1.2	50/60	260	100	150
230	1.2	50/60	260	100	150
240	1.1	50/60	260	100	150

<b>Orbits per minute</b>	12,000 /min(BO5020) 4000-12,000 /min(BO5021)
<b>Abrasive disc</b>	Diameter: $\phi$ 125mm(5") Velcro type
<b>Orbit diameter</b>	2.8mm(1/8")
<b>Other functions</b>	Self-dust-collecting Soft Braking (Braking Pad)
<b>Net weight</b>	1.4Kg(3.1lbs)
<b>Cord length</b>	2.5m(8.2ft) for Europe / 2.0m(6.6ft) for others

### ▶ Standard equipment

Abrasive Disc 125-#120 (with holes for collecting dust) ——— 1 pc.

<Note> The standard equipment may differ from country to country

### ▶ Optional accessories

Abrasive Disc 125-#60, #80, #120, #180, #240 (with holes for collecting dust, 10pcs/set)

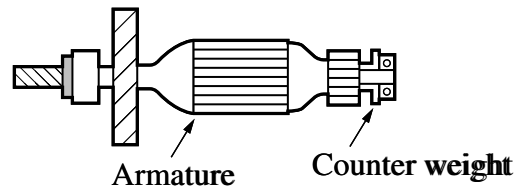
Wool Pad 140 Set, Sponge Pad 125 Set, Feld Pad 125 Set

## ► Repair

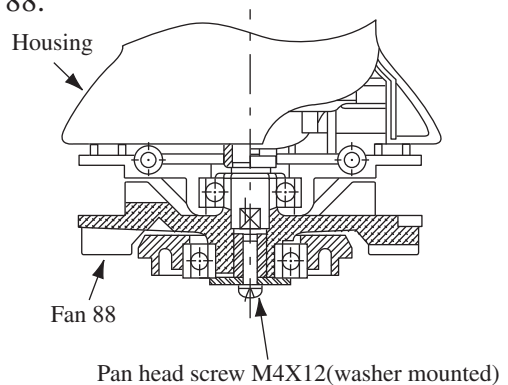
- 1) Replacing Carbon brush and Armature etc.  
Disassemble in the sequence shown below.

Pad => Skirt => Fan => Housing

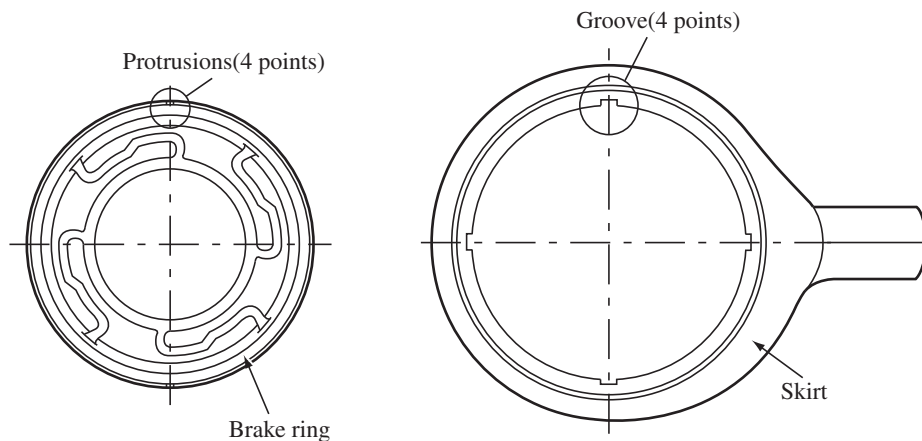
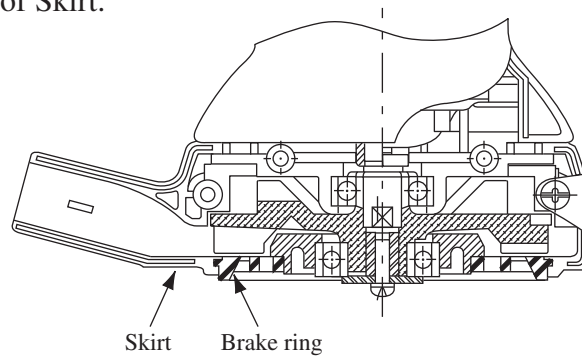
<Note> Do not remove Counter Weight from Armature, otherwise Armature becomes off balance.



- 2) Fastening of Pan head screw M4x12.  
Fasten Pan head screw M4x12 while holding Fan 88.

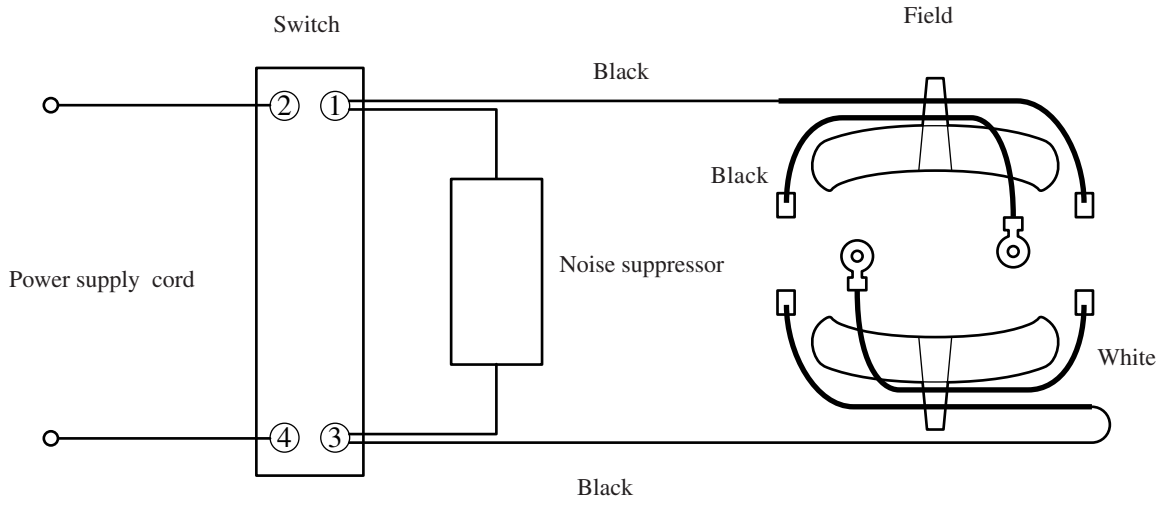


- 3) Assembling of Brake ring  
Assemble the brake ring in a direction toward the skirt as shown on the figure matching the protrusions(4 points) and grooves of Skirt.



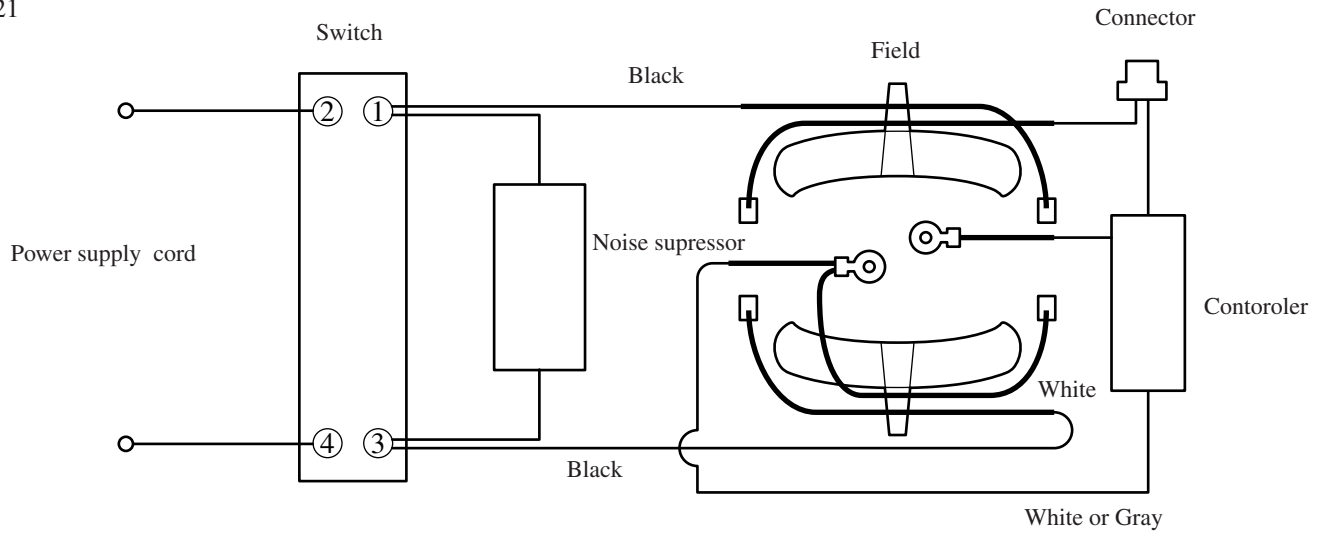
## ► Wiring digram

BO5020



<Note> Noise suppressor is used not for all countries.

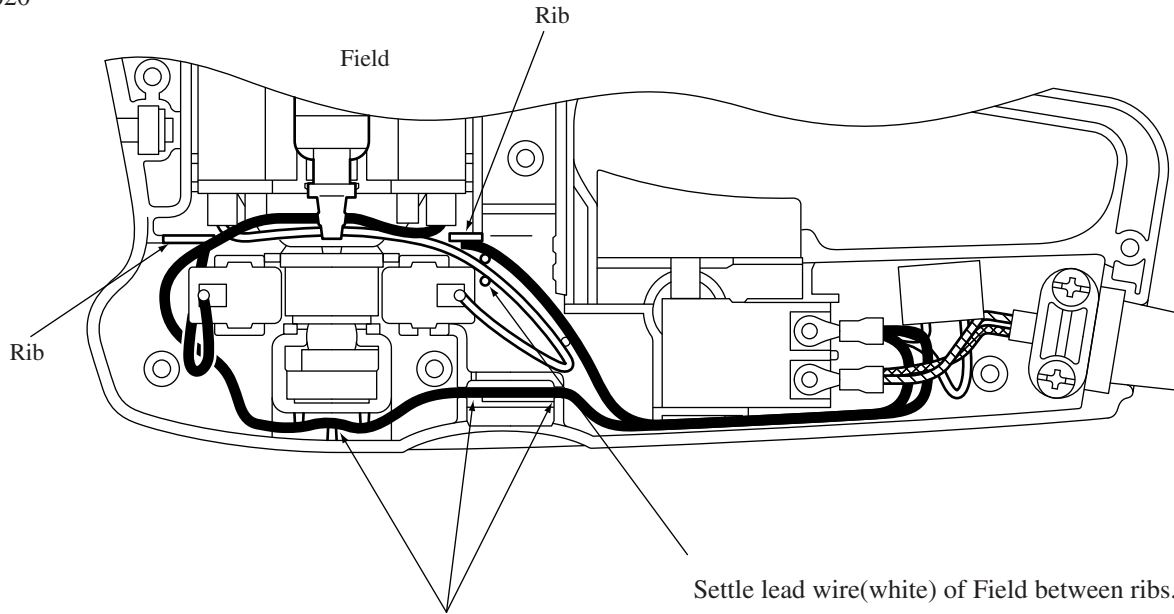
BO5021



<Note> Noise suppressor is used not for all countries.

# Wiring Drawing

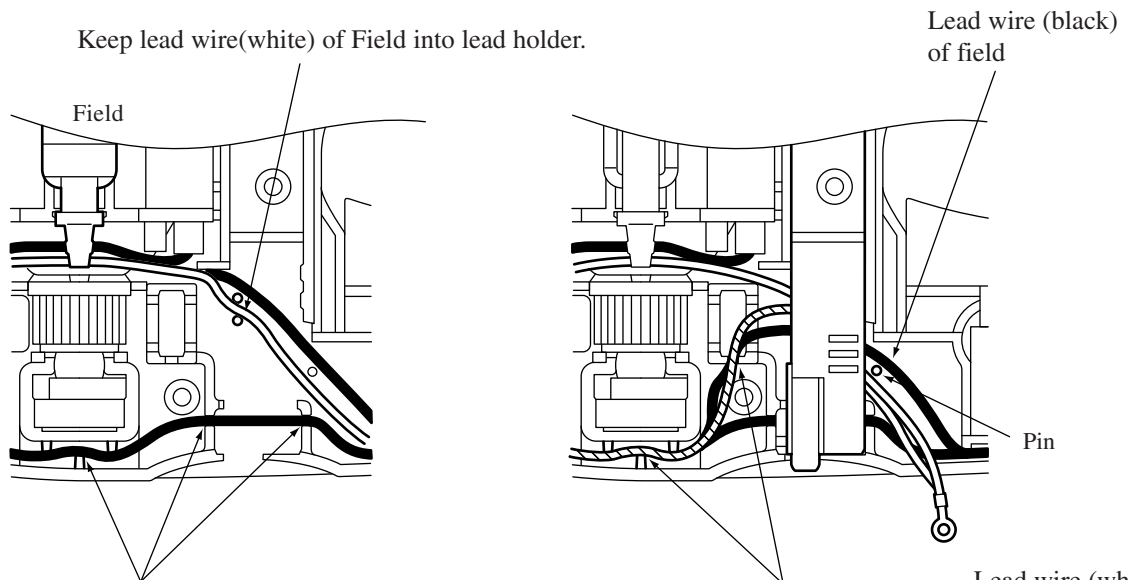
BO5020



Push lead wire(black) between ribs.

Settle lead wire(white) of Field between ribs.

BO5021



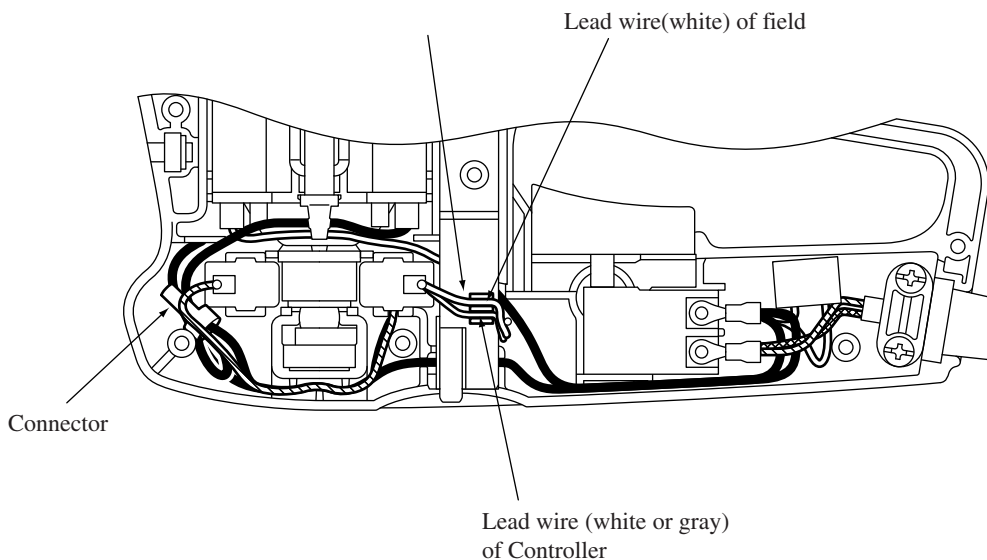
Keep lead wire(white) of Field into lead holder.

Push lead wire(black) of Field between ribs.

Push lead wires (black and orange) between ribs.

Lead wire (white) of field

Lead wire (white or gray) of controller



Lead wire (white or gray) of Controller