

Models No. ▶ BO5010

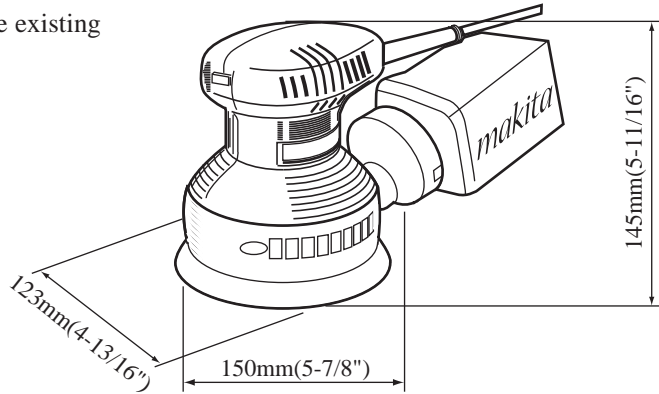
Description ▶ Random Orbit Sander

CONCEPTION AND MAIN APPLICATIONS

Model BO5010 is the improved version of the existing Model BO5001.

Its brief benefits are;

- *More efficient operation with less rotations at no load by function of braking-pad
- *Cleaner work area by function of self-dust-collecting



▶ Specifications

Voltage (V)	Current (A)	Cycle (Hz)	Continuous Rating (W)		Max. Output(W)
			Input	Output	
100	2.3	50/60	220	65	150
110	2.0	50/60	220	65	150
120	2.0	50/60	220	65	150
220	1.1	50/60	220	65	150
230	1.0	50/60	220	65	150
240	1.0	50/60	220	65	150

Orbits per minute	12,000 0/mm
Abrasive disc	Diameter: ϕ 125mm(5") Velcro type
Orbit diameter	2.8mm(1/8")
Other functions	Self-dust-collecting Braking pad
Net weight	1.2Kg(2.6lbs)
Cord length	2. 0m(6. 6f t)

▶ Standard equipment

Abrasive Disc 125-#120 (with holes for collecting dust) ——— 1 pc.

<Note> The standard equipment may differ from country to country

▶ Optional accessories

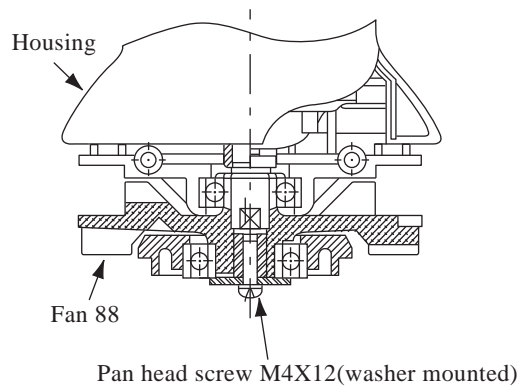
Abrasive Disc 125-#60, #80, #120, #180, #240 (with holes for collecting dust, 10pcs/set)

► Repair

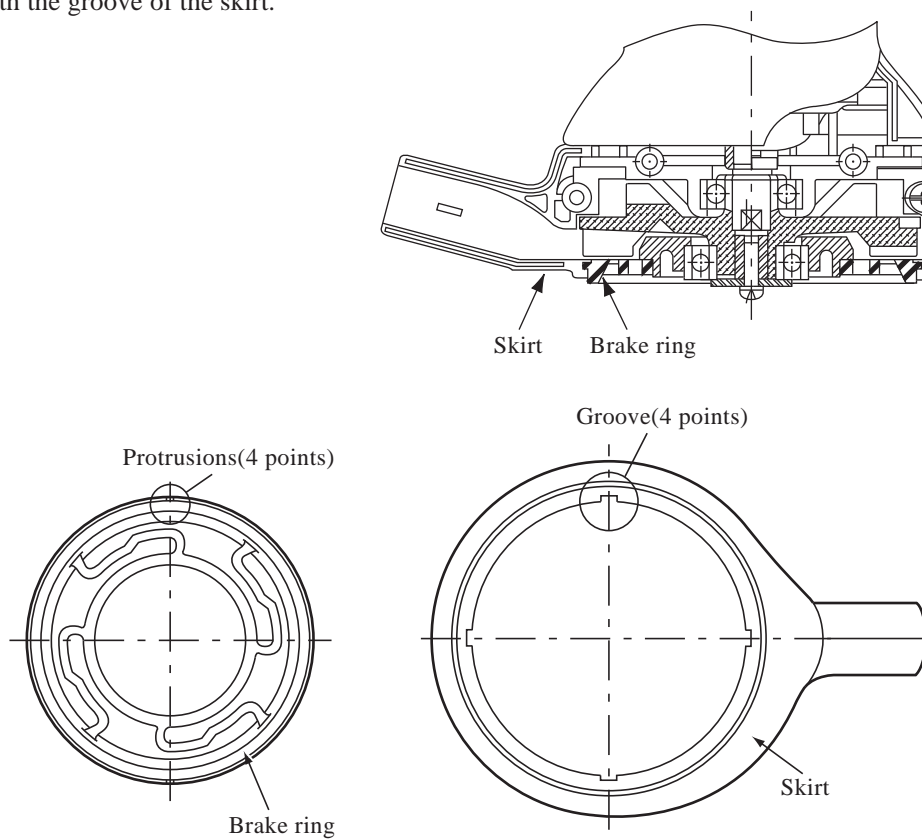
- 1) Replacing of the carbon brush and armature etc.
Disassemble in the sequence shown below.

Pad => Skirt => Fan => Housing

- 2) Fastening of the pan head screw M4x12(washer mounted)
Fasten the pan head screw M4x12(washer mounted) while holding the outer circumference of the fan.

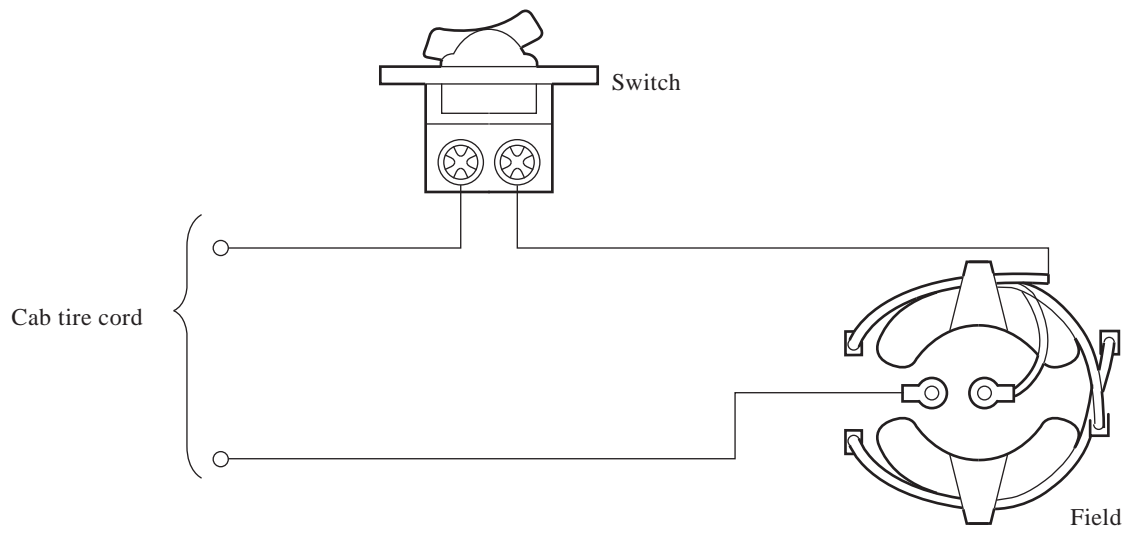


- 3) Assembling of brake ring
Assemble the brake ring in a direction toward the skirt as shown on the figure while the protrusions(4 points) are fitted with the groove of the skirt.



▶ Circuit drawing

For production of MCA :



For production of MJ : (The condenser is not used in some countries.)

