

# TECHNICAL INFORMATION

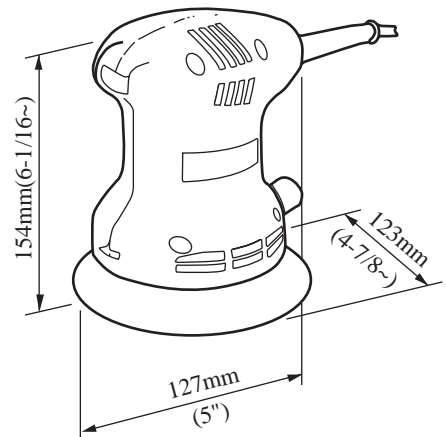
**Models No.** ▶ BO5001

**Description** ▶ Random Orbit Sander

## CONCEPTION AND MAIN APPLICATIONS

This is a small and light-weight sander with extremely high speed by the function of Random Orbit System (Orbital movement + Rotating movement).

The model was made by changing the material and shape of cooling fan of #BO5000.



### ▶ Specifications

Voltage(V)	Current(A)	Frequency(Hz)	Consumed power(W)	Rated output(W)	Max. output(W)
100	2.0	50-60	180	100	100
115	1.7	50-60	180	100	100
200	1.0	50-60	180	100	100
220	0.9	50-60	180	100	100
230	0.9	50-60	180	100	100
240	0.8	50-60	180	100	100

<b>No load speed</b>	No. of Orbiting(/min.)	10000
<b>Sanding Disk Size(mm)(in.)</b>	125mm (5") (Velcro Tape Type)	
<b>Pad Size(mm)(in.)</b>	123mm (4-7/8")	
<b>Eccentric Volume(mm)(in.)</b>	2.0mm (3/32")	
<b>Eccentric Diameter(mm)(in.)</b>	4.0mm (5/32")	
<b>Weight(kg)(lbs)</b>	1.3kg(2.9lbs)	
<b>Cord length(m)(ft)</b>	2m(6.6ft)	

### ▶ Standard equipment

Sanding Disk 125-60, 120, 240-----Each 2pcs packed (with dust-absorbing hole)

### ▶ Optional accessories

Sanding Disk 125-60,80,120,180,240-----Each 5pcs packed (with dust-absorbing hole)

Hose Complete 19-2.5 Set Goods-----Dust collecting machine for connecting #402,405

Rubber Sleeve18-21-----Dust collecting machine for connecting #420

### ▶ Repair

Same as the notice of technology of new product #BO5000 (BL-2074)