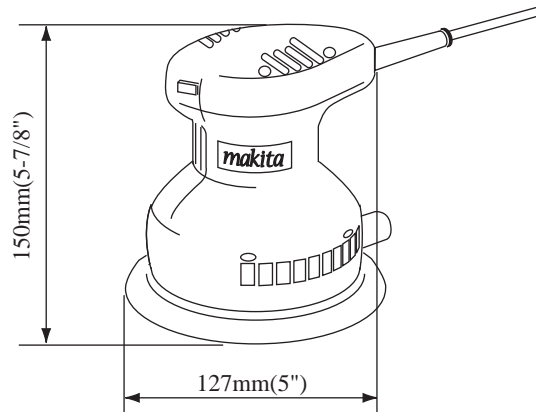


Models No. ▶ BO5000

Description ▶ 125 mm(5") Random Orbit Sander

CONCEPTION AND MAIN APPLICATIONS

With its dual rotary and orbital sanding actions, this compact and lightweight sander can sand workpieces very fast.



▶ Specifications

Voltage (V)	Current (A)	Cycle (Hz)	Continuous Rating (W)		Max. Output(W)
			Input	Output	
100	2.0	50/60	180	100	100
115	1.7	50/60	180	100	100
200	1.0	50/60	180	100	100
220	0.9	50/60	180	100	100
240	0.8	50/60	180	100	100

No Load Speed		12,000 O/min
Max. Capacities (Diameter)	Abrasive disc	125mm (5")
	Pad	123mm (4-7/8")
Orbit Diameter		4mm(5/32")
Net Weight		1.3Kg(2.9lbs)

▶ Standard equipment

Abrasive disc 125-60, 125-100, 125-150 (2 pcs. each)

▶ Optional accessories

Abrasive disc 125-60, 125-100, 125-150, Abrasive disc (with pre-punched holes) 125-60, 125-100, 125-150, Hose (for connecting to vacuum cleaner)