

TECHNICAL INFORMATION



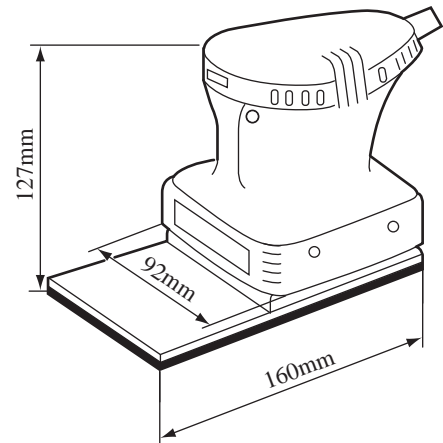
New Tool

Models No. ▶ BO4560

Description ▶ MAKITA Finishing Sander

CONCEPTION AND MAIN APPLICATIONS

This was developed for sanding works in narrow spaces such as shutters where you had to do manually. Also, the product was made by improving the base part of the existing model #BO4540



► Specifications

Voltage(V)	Current(A)	Frequency(Hz)	Consumed power(W)	Rated output(W)	Max. output(W)
100	1.8	50-60	160	85	90
115	1.6	50-60	160	85	90
200	0.9	50-60	160	85	90
220	0.8	50-60	160	85	90
230	0.8	50-60	160	85	90
240	0.7	50-60	160	85	90

No load speed	Rotation per minute (/min.)	14000
Pad Size(mm)	85 X 160	
Paper Size(mm)	87 X 160	
Paper type	Adhesive method	
Weight(kg)	0.9	
Cord length(m)	2.0	

► Standard equipment

Sanding Paper 87-60, 87-100, 87-150 (each, 2 pcs packed)

► Optional accessories

Sanding Paper 87-60, 87-100, 87-150 (each size, 10 pcs packed)

► Repair

According to the way of BO4540.

The standard equipment for the tools shown may differ from country to country.