

TECHNICAL INFORMATION



NEW TOOL

P 1 / 4

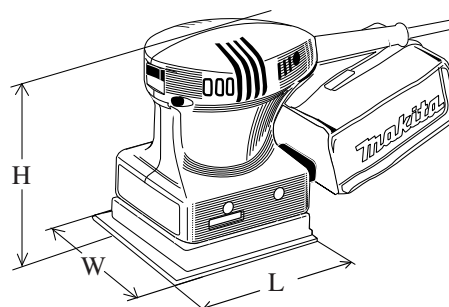
Models No. ▶ BO4554

Description ▶ Finishing Sander

CONCEPTION AND MAIN APPLICATIONS

The above model is the sister model of the existing Mod. BO4553.

The easy replacing abrasive paper thanks to hook and loop system pad.



Dimensions : mm (")	
Width (W)	116 (4-9/16)
Height (H)	131 (5-1/8)
Length (L)	122 (4-13/16)

► Specification

Voltage (V)	Current (A)	Cycle (Hz) / 60	Continuous Rating (W)		Max. Output(W)
			Input	Output	
115	1.6	50 / 60	160	55	70
220	0.8	50 / 60	160	55	70
230	0.8	50 / 60	160	55	70
240	0.7	50 / 60	160	55	70

Pad size : mm (")	104 x 116 (4-1/8 x 4-9/16)
Abrasive paper size : mm (")	102 x 114 (4-1/16 x 4-1/2)
No load speed : (min -1= opm)	14,000
Orbit diameter : mm (")	1.5 (1 / 16)
Pad system	Hook and loop
Dust extracting system	Self dust extracting
Protection from electric shock	by Double insulation
Net weight :Kg (lbs)	0.95 (2.1)
Cord length : m (ft)	2 (6.6)

► Standard equipment

- * Abrasive paper 114 - 60 1 pc. (with dust extraction hole)
- * Abrasive paper 114 - 100 1 pc. (with dust extraction hole)
- * Abrasive paper 114 - 150 1 pc. (with dust extraction hole)
- * Dust bag 1 pc.

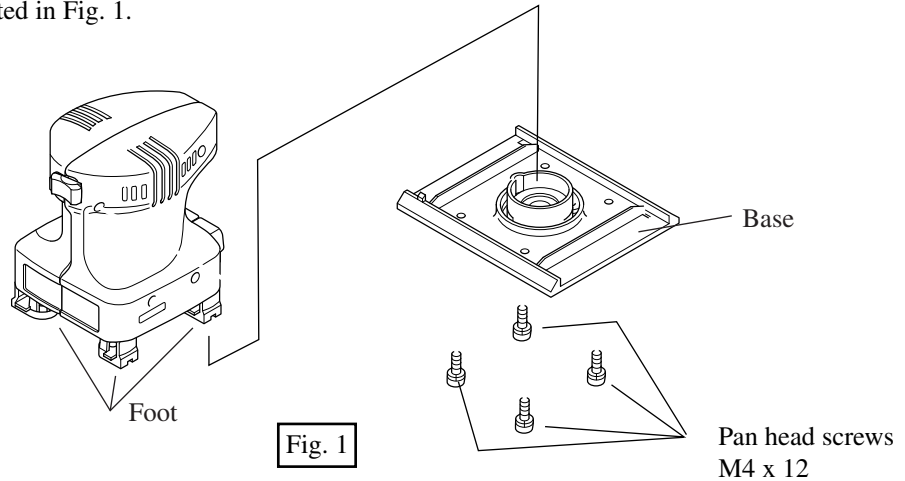
< Note > The standard equipment for the tool shown may differ from country to country.

► Optional accessories

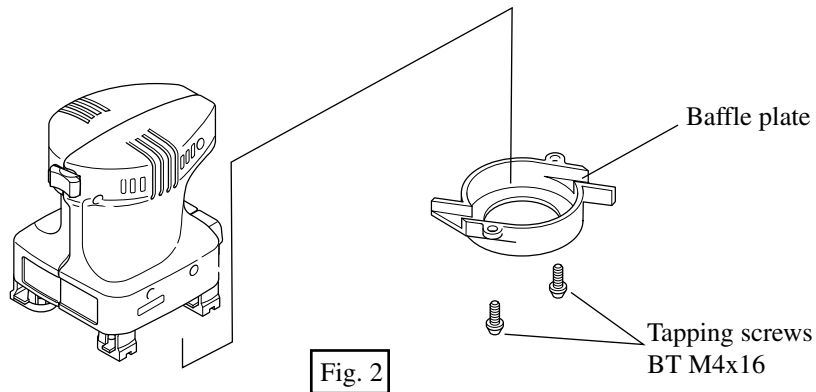
- * Abrasive paper 114 - 60 (10 cps. p. pack)
- * Abrasive paper 114 - 100 (10 cps. p. pack)
- * Abrasive paper 114 - 150 (10 cps. p. pack)
- * Adapter for connecting to hose 19-2.5
- * Hose 19-2.5

(1) Replacing foot and carbon brush

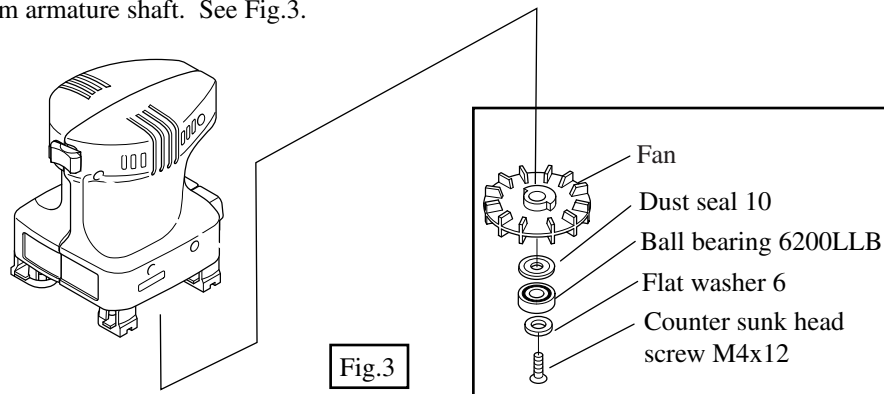
1. Separate base section from the motor section by loosening 4 pcs. of pan head screws M4 x 12 which is fixing foot on base as illustrated in Fig. 1.



2. Disassemble baffle plate from inside of the motor section by loosening 2 pcs. of tapping screws BT M4x16. And take off counter sunk head screw M4x12 which is fixing See Fig. 2.



3. Take off counter sunk head screw M4x12, then flat washer 6, ball bearing 6200LLB, dust seal 10 and fan can be removed from armature shaft. See Fig.3.

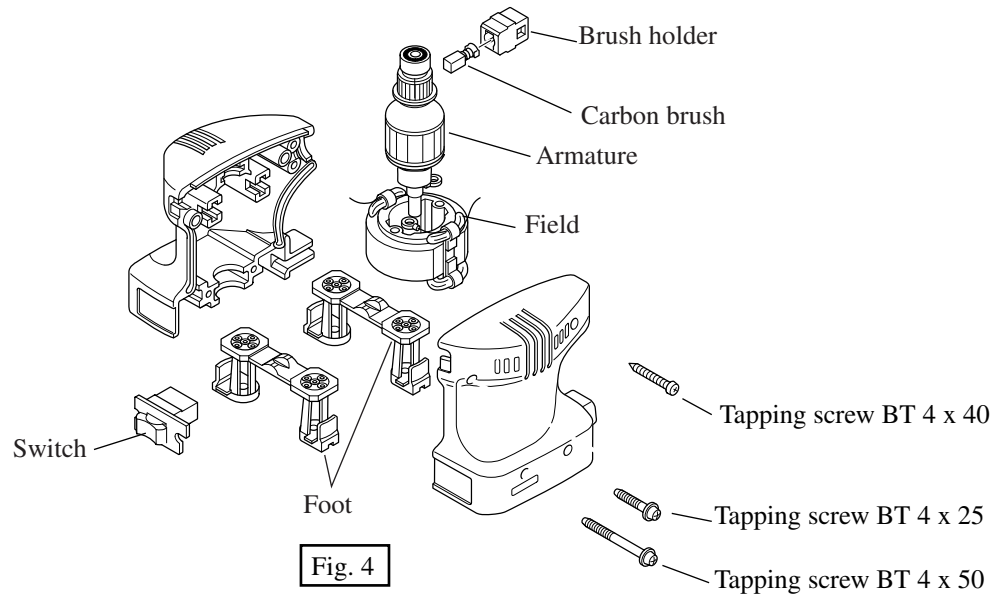


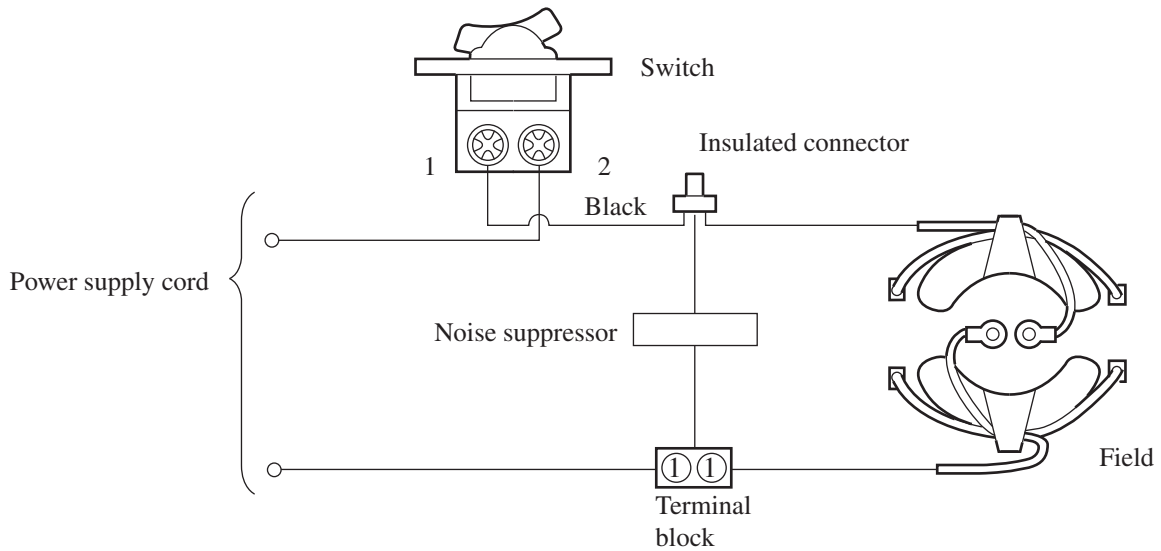
< Note > Lock the fan with screwdriver when unscrewing counter sunk head screw M4x12. Then, the above spare parts can be removed easily from armature.

4. Take off the following screws which are fixing housing R and L.

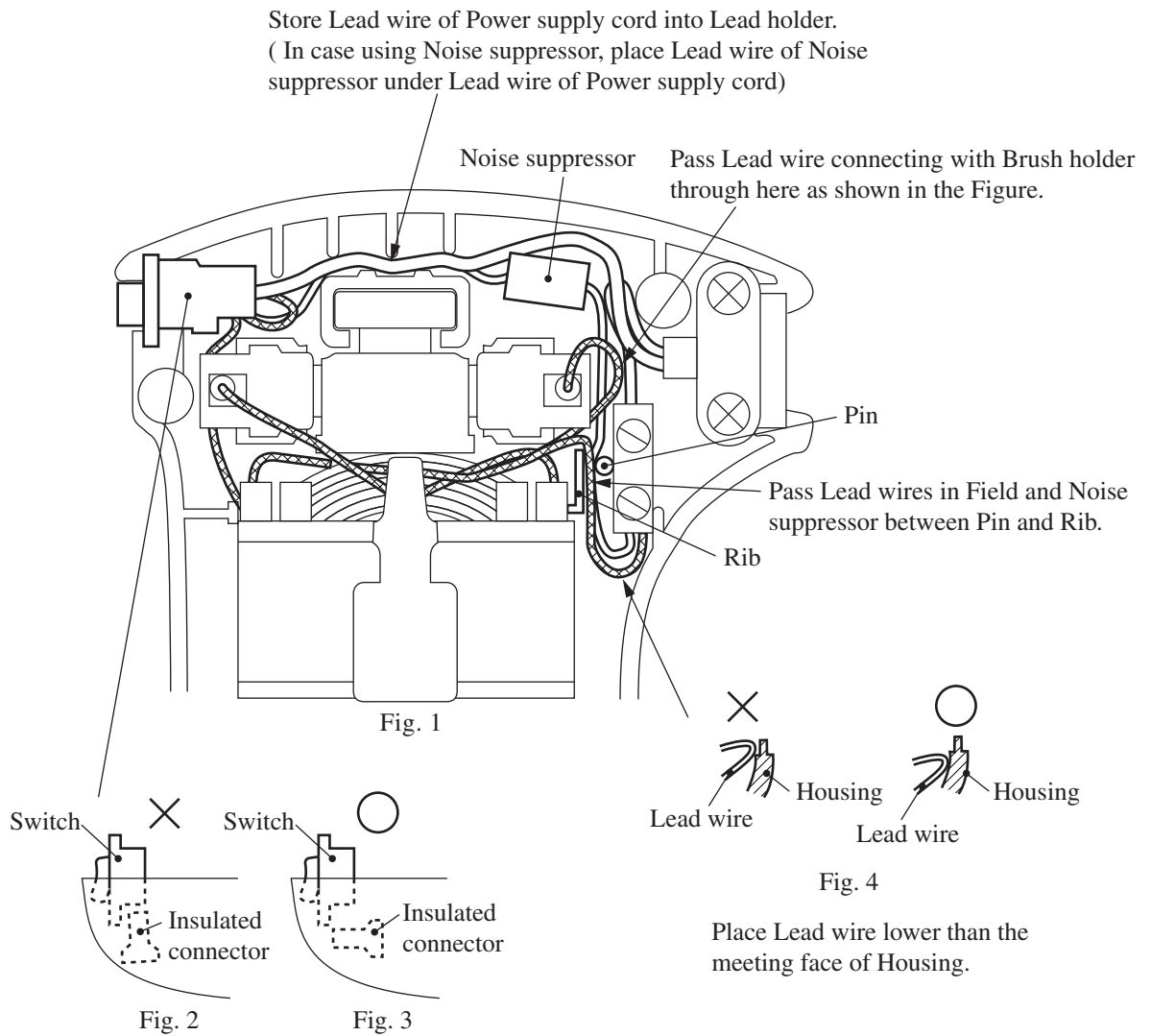
- * Tapping screw BT 4 x 40
- * Tapping screw BT 4 x 25
- * Tapping screw BT 4 x 50

Then, housing R can be separated from housing L, and foot, carbon brush, switch, armature, etc. can be replaced. see Fig. 4.





► **Wiring diagram**



When you use Noise suppressor, place Insulated connector under Switch on its side as shown in Fig. 3 to prevent it from interference with Switch