

**Model No.** ▶ BMR101

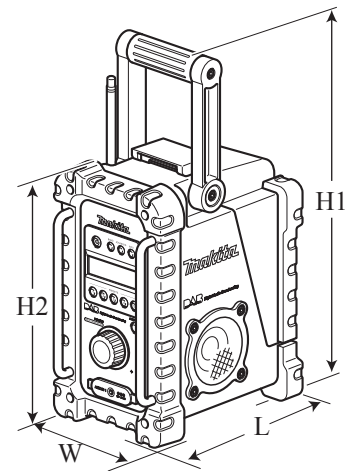
**Description** ▶ Job Site DAB Radio

## CONCEPT AND MAIN APPLICATIONS

The Makita Job Site DAB Radio runs on AC adaptor or Makita rechargeable batteries - 9.6V to 18V cluster type/ 9.6V to 24V slide-on type.

Its main benefits are:

- Easy-to-read digital tuner with LCD display
- 2-speaker stereo sound
- AUX-IN jack for connecting to external audio source (Connecting cable is not included.)
- AC adapter for convenience



Power source	AC, Makita rechargeable batteries (9.6-24V)	
Practical max output	9.6V: 0.8Wx2, 12V: 1.2Wx2, 14.4V: 2Wx2 18V: 3Wx2, 24V: 5Wx2	
Continuous run time on a single battery charge (approx.): hour [at the maximum sound volume]	1.3Ah battery	3.5
	2.0Ah battery	5.5
	2.6Ah battery	7.0
	3.0Ah battery	8.5
	3.3Ah battery	9.0
Frequency band range	FM	87.5 - 108 MHz
	DAB	174 - 240 MHz
Speaker	Ø 76mm (8 ohm) x 2	
Cord length of AC adaptor: m (ft)	1.8 (5.9)	
Weight according to EPTA-Procedure 01/2003*1: kg (lbs)	4.6 (10.2)	

Dimensions: mm (")	
Length (L)	261 (10-1/4)
Width (W)	167 (6-9/16)
Height (H1)	433 (17)
Height (H2)	304 (12)*2

\*1: with battery 9120

\*2: does not include antenna, with carry handle in retracted position

### ▶ Standard equipment

AC adaptor (DC12V, 700mA) ..... 1 pc

**Note:** The standard equipment for the tool shown above may differ by country.

### ▶ Optional accessories

Batteries  
Chargers