

TECHNICAL INFORMATION



Models No. ▶ 8443D, 8433D, 8413D

Description ▶ Cordless Percussion Driver drill

CONCEPTION AND MAIN APPLICATIONS

Mod.8443D: 18V percussion version of existing Mod.6343D.

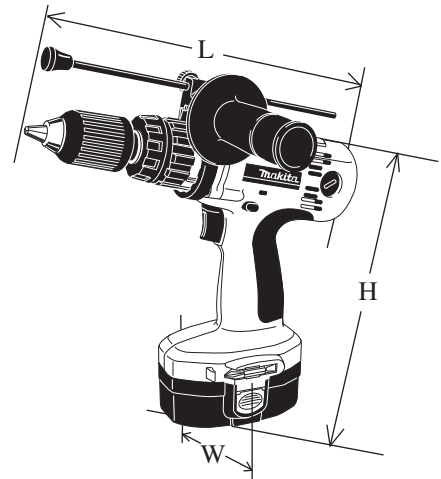
Its action mode change ring (screwdriver - drill- percussion) can be operated independently of torque adjusting ring for easy operation. Equipped with one sleeve chuck.

Mod.8433D: 14.4V version of Mod.8443D. Its features are same as Mod.8443D.

Mod.8413D: 12V version of Mod.8443D. Its features are same as Mod.8443D.

* Variation of Mod. 8443D, 8433D and 8413D

Model No.	Battery	Charger
8443DWAE	1822 : 2 pcs	DC1801
8443DWDE	1834 : 2 pcs.	DC1801
8443DWFE	1835 : 2 pcs.	DC1801
8433DWAE	1422 : 2 pcs.	DC1411
8433DWDE	1434 : 2 pcs.	DC1411
8433DWFE	1435 : 2 pcs.	DC1411
8413DWAE	1222 : 2 pcs.	DC1411
8413DWDE	1234 : 2 pcs.	DC1411
8413DWFE	1235 : 2 pcs.	DC1411



Dimensions in mm (")

Model No.	L	H	W
8443D	267 (10-1/2)	249 (9-13/16)	95 (3-3/4)
8433D	267 (10-1/2)	244 (9-5/8)	94 (3-11/16)
8413D	267 (10-1/2)	240 (9-1/2)	94 (3-11/16)

► Specification

Model No.	8443D	8433D	8413D
Voltage (V)	18	14.4	12
Chuck ability (mm)	1.5 (1/16") - 13 (1/2")		
No load speed (min.= rpm.)	High	0 - 1,400	0 - 1,300
	Low	0 - 450	0 - 400
Blows per min. (bpm.)	High	0 - 21,000	0 - 19,500
	Low	0 - 6,750	0 - 6,000
Drilling capacity	in Steel	13 mm (1/2")	13 mm (1/2")
	in Wood	38 mm (1-1/2")	36 mm (1-7/16")
	in Stone	16mm (5/8")	14 mm (9/16")
Torque adjustment	16 stage and drill mode		
Max.fastening torque	45Nm (460Kgfc (33ft.lbs)	38Nm (390Kgfc (28ft.lbs)	32Nm (330Kgfc (24ft.lbs)
Adjustable torque in 16 stage	1Nm - 6 Nm (10Kgfc - 60Kgfc) (0.7ft.lbs - 4.4ft.lbs)		

► Standard equipment

- * Battery cover 2 pcs.
- * Grip assembly..... 1 pc.
- * 18 V battery 2 pcs.
- * Stopper pole assembly..... 1 pc.
- * + - Bit 2-452 pcs.
- * Carrying case 1 pc.

< Note > The standard equipment for the tool shown may be differ from country to country.

► Optional accessories

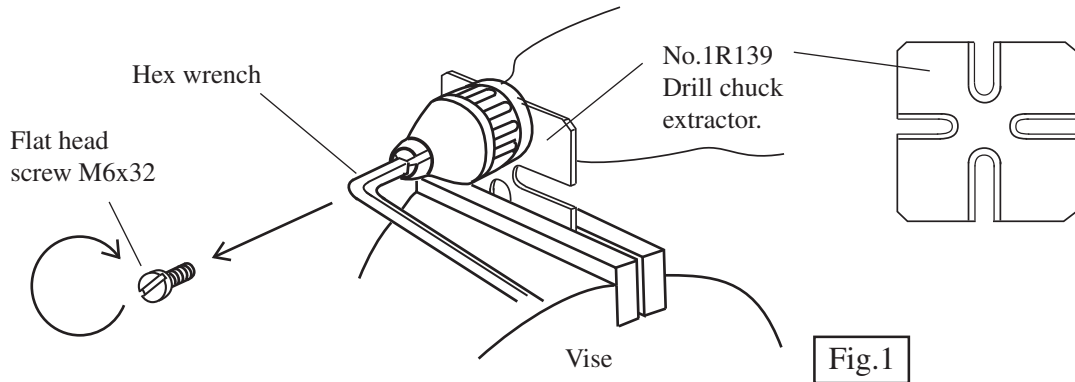
- * Various TCT. bits
- * Safety goggle
- * Blow-out bulb
- * Battery 1834 (NiMH, 2.6Ah)
- * Battery 1835 (NiMH, 3.0Ah)

▶ Repair

(1) Removing of drill chuck

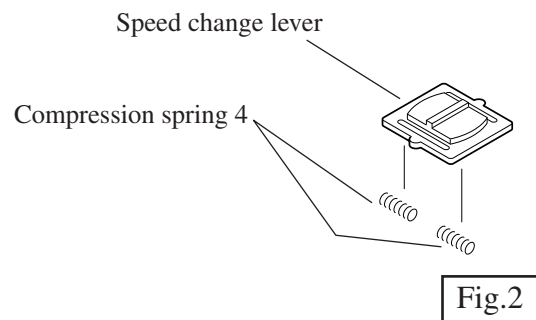
Drill chuck has to be removed as follows.

1. Take off flat head screw M6x32 by turning it clockwise. See Fig.1.
(In case of removing housing, it is not necessary to take off it.)
2. Hold the flat part of spindle with spanner 14 (No.781007-2) or drill chuck extractor No.1R139. See Fig.1.
3. Turn the hex wrench fastened with drill chuck anti-clockwise.



(2) Removing housing

In removing, be careful not to lose compression spring 4 in speed change lever, because it easily goes away.



(3) Note in Assembly

1 Assembly of Motor and Gear assembly

- 1) Motor bracket is, in advance, assembled to gear assembly for spare parts.

First, take off the motor bracket.

Be careful that the inner parts do not come out from gear assembly, when taking off motor bracket.

- 2) Fasten the above motor bracket to motor with screw. See Fig.3A.

- 3) Assemble the motor equipped with motor bracket to gear assembly.

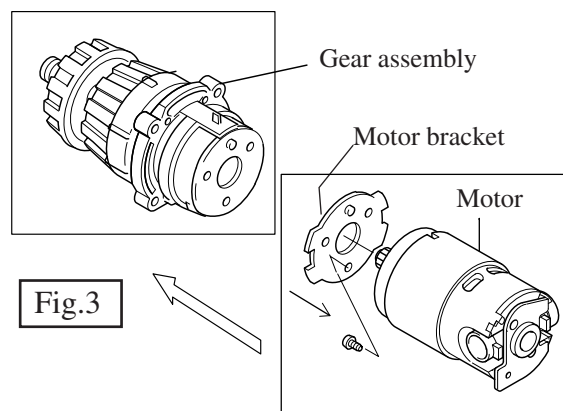


Fig.3A

2. Installing of Speed change lever

- 1) Place two Compression spring 4s into Speed change lever.
- 2) Being careful that Compression spring 4 may not comes out , install Speed change lever assembly in the projection of change lever as shown in Fig. 4.

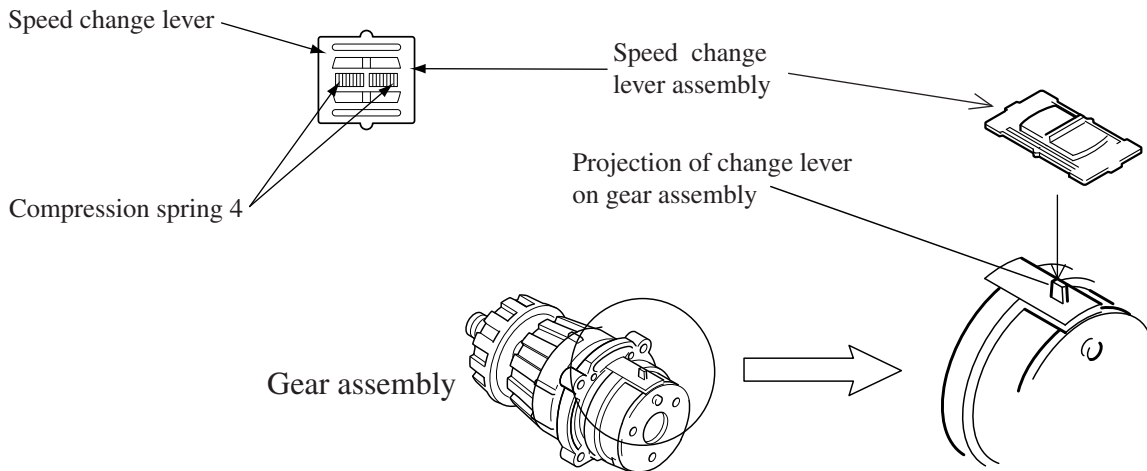


Fig. 4

3 Attaching to Housing

- 1) When attaching a unit of gear assembly and motor, etc. to housing L, place speed change lever in the position as shown in Fig. 5.

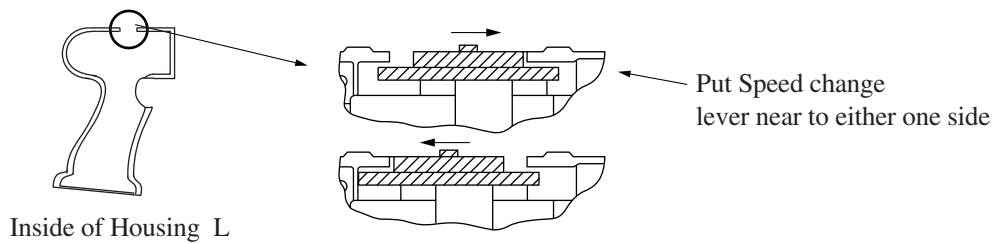


Fig.5

4 Assembling chuck

- 1) Tighten short cut hex wrench with drill chuck and hold the flat part of spindle with drill chuck extractor No.1R139 as illustrated in Fig.6.
- 2) Tighten drill chuck with ratchet head No.1R224 and torque wrench No.1R223 as illustrated in Fig.6.
< Note > The fastening torque of torque wrench No.1R223 has to be adjusted to 50 - 60 Nm in advance.
In case of smaller than 50Nm, drill chuck will fall, damaging flat head screw M6x32.
- 3) Take off short cut hex wrench by loosening drill chuck. And fasten flat head screw M6x32 anti-clockwise

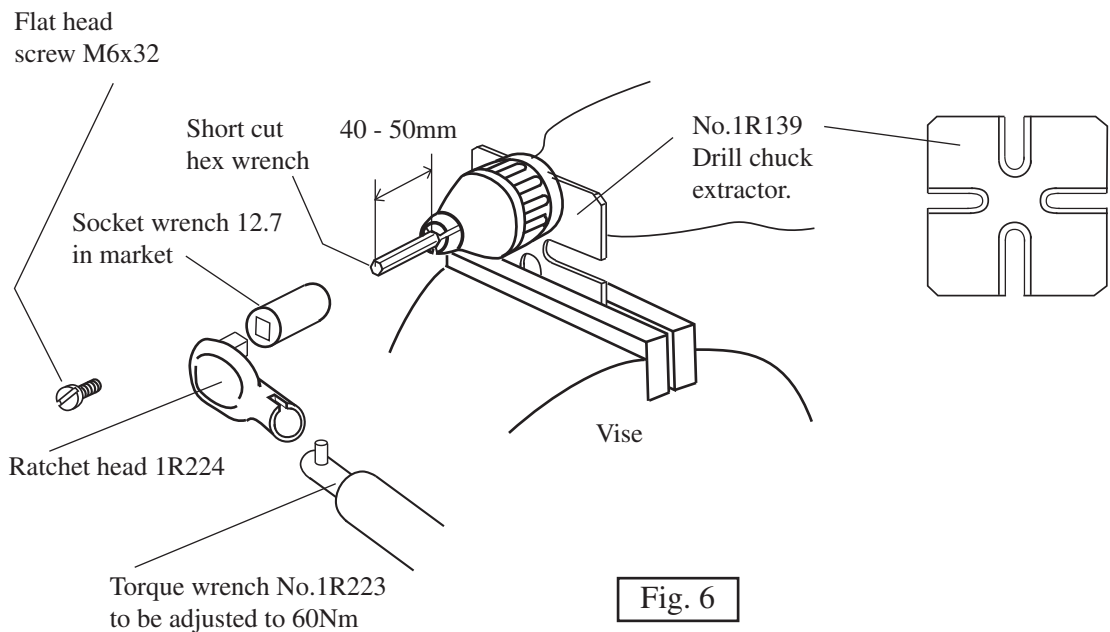
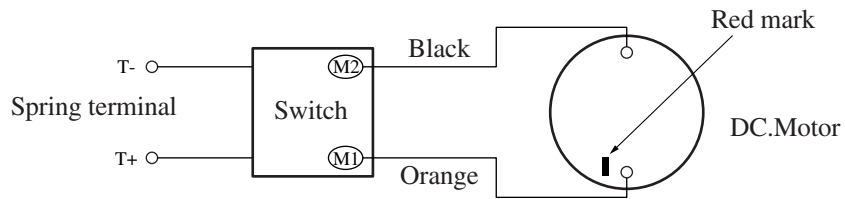


Fig. 6

► Circuit diagram



► Wiring diagram

Inside of Housing L

