

**Models No.** ▶ 8402VD

**Description** ▶ Cordless hammer drill

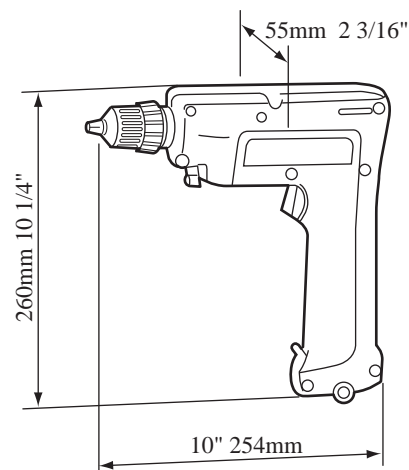
## CONCEPTION AND MAIN APPLICATIONS

This 8402D is the sister version of the 8400D, having the same features as the 8400D except for the keyless drill chuck in place of the drill chuck. The 8402VD is the sister version of the 8400VD (8400D with the variable speed switch), having the same features as the 8400VD other than the keyless drill chuck in place of the drill chuck. The keyless drill chuck is the new chuck system (made in Jacob) with the click function, wherein it may sound like a snick when fastening. The 8402D and 8402VD are without battery and charger.

The 8402DW consists of the 8402D, the fast charger DC9700H and the battery 9000.

The 8402VDW consists of the 8402VD, the fast charger DC9700H and the battery 9000.

MME production and for exclusive use in export.



## ► Specifications

<b>Motor</b>		DC 9.6V Magnet motor RS-750SH-8027
<b>Battery(Battery 9000)</b>		Nickel cadmium battery(9.6V, 1.2Ah)
<b>No load speed</b>	Rotation per minute(rpm)	0-900/min
	Blows per minute(bpm)	0-10,000/min
<b>Chuck capacity(mm)</b>		1.5-10mm
<b>Drilling capacity(mm)</b>	for stone	18mm
	for steel	10mm
	for wood	12mm
<b>Screw fastening torque</b>		3.8 mm x 20 mm for wood screw
<b>Max. torque</b>		about 50 kg-cm
<b>Net weight(including a battery)(kg)</b>		1.7kg(3.7)

## ► Optional accessories

- Battery 9000
- Battery 9001
- Carbide drill 5-70, 6.5-80, 7.5-90, 8-120, 8.5-100, 9.5-120
- Drill 1.5 2-3-4-5-6
- Wood drill 912
- + Bit 1-65, 2-45, 2-65, 2-110, 2-150, 2-250
- Bit 5-45, 5-82, 6-70, 6.35-45
- Buff 125
- Rubber pad assembly
- Wool bonnet 100
- Sanding disk 100-50Fast charger DC9700
- 9-min. fast charger DC1209
- 12V fast chargerDC9112 for automobile-----

The standard equipment for the tools shown may differ form country to country.