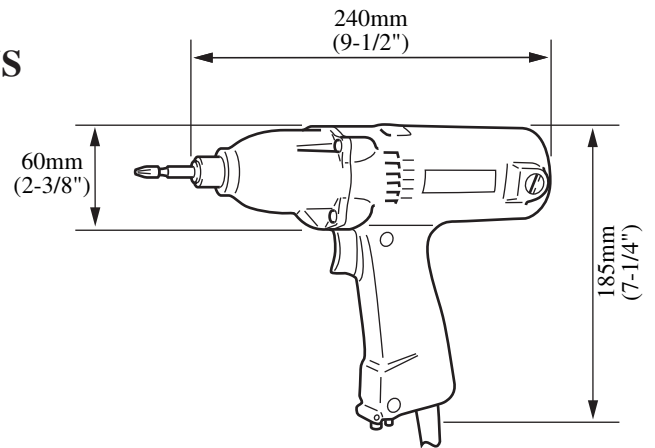


For Models ▶ 6950

Description ▶ Impact Driver

CONCEPTION AND MAIN APPLICATIONS

Model 6905 is an AC version of the existing Model 6903VD/VDW (Cordless Impact Driver). Lag screw fastening can be made much easier with this variable speed, brake-equipped, light-weight impact driver.



► Specifications

Voltage(V)	Current(A)	Cycle(Hz)	Continuous Rating(W)		Max. Output(W)
			Input	Output	
100	3.2	50/60	300	120	280
115	2.8	50/60	300	120	280
200	1.6	50/60	300	120	280
220	1.5	50/60	300	120	280
230	1.4	50/60	300	120	280
240	1.3	50/60	300	120	280

► Capacity

Machine screwM4-M8(5/32"-5/16")
Standard boltM5-M12(3/16"-1/2")
High tensile boltM5-M10(3/16"-3/8")
Lag screw60mm(2-3/8")-120mm(4-3/4")
Impacts per minute0-3,000
No load speed0-2,200R/min
Net weight..... 1.4kg(3.08 lbs)

► Standard equipment

Phillips bit 2-65, Plastic carrying case

► Optional accessories

Phillips bit 2-65, 3-65, Bit piece, Various sizes of socket bits