

T ECHNICAL INFORMATION



PRODUCT

P 1 / 4

Models No. ▶ 6916D

Description ▶ Cordless impact driver

CONCEPTION AND MAIN APPLICATIONS

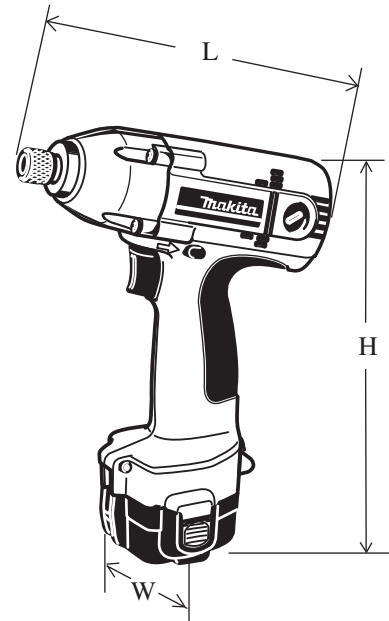
The above model is Cordless Impact Drivers designed for much reduced weight and more compact body, and this model features the lightest weight and the shortest overall length in this class.

Model 6916D is powered by 12V battery, and features powerful max. torque at 100N.m.

● Variations of Model 6916D are as follows.

Model No.	Battery	Charger	Plastic Carrying Case
6916DWA	1222 /1 pc. Ni-Cd, 2.0Ah	DC1411	Yes
6916DWAE	1222 /2 pcs. Ni-Cd, 2.0Ah	DC1411	Yes
6916DWD	1234 /1 pc. Ni-MH, 2.6Ah	DC1411	Yes
6916DWDE	1234 /2 pcs. Ni-MH, 2.6Ah	DC1411	Yes
6916DWF	1235 /1 pc. Ni-MH, 3.0Ah	DC1411	Yes
6916DWFE	1235 /2 pcs. Ni-MH, 3.0Ah	DC1411	Yes

Ni-Cd; Nickel Cadmium battery
Ni-MH; Nickel-Metal Hydride battery



Dimensions : mm (")	
Width (W)	94 (3-11/16)
Height (H)	231(9-1/8)
Length (L)	168 (6-5/8)

► Specification

Voltage (V)	D/C 12 V	
No load speed (min-1=rpm)	0 - 2,300	
Impact per minute (min-1=bpm)	0 - 3,000	
Capacities	Hex. shank : mm (")	6.35 (1/4)
	Machine screw	M4 - M8 (5/32" - 5/16")
	Standard bolt	M5 - M12 (3/16" - 15/32")
	High Tensile bolt	M5 - M10 (3/16" - 3/8")
	Self drilling screw	ø4 - ø6 x 13 - 45mm (5/32" - 1/4" x 1/2" - 1-3/4")
Max. fastening torque	100N.m (1,020kgf.cm, 880 in.lbs)	
Overall length: mm (")	168 (6-5/8)	
Net weight: kg (lbs)	1.5 (3.3 lbs)	

► Standard equipment

- * Phillips bit 2-65 1 pc.
- * Battery cover 1 pc. (for 6916DWA, 6916DWD, 6916DWF)
- * Battery cover 2 pcs.(for 6916DWAE, 6916DWDE, 6916DWFE)

< Note > The standard equipment for the tool shown may differ from country to country.

► Optional accessories

- | | | |
|---|-----------------|-----------------------------|
| * Various phillips bits | * Battery 1200 | * Fast charger DC1439 |
| * Various slotted bits | * Battery 1202 | * Charger DC1411 |
| * Various socket bits | * Battery 1202A | * Charger DC1801 |
| * Various drill chucks | * Battery 1220 | * Automotive charger DC1422 |
| * Shoulder strap | * Battery 1222 | |
| * Bit-piece | * Battery 1233 | |
| * Set plate for battery of w/o push button type | * Battery 1235 | |

- < 1 > Removing housing R and L
 Remove hammer case from housing R and L.
 And then, housing R and L can be removed.

- < 2 > Removing sleeve section
 (1) Take off ring spring from the groove on anvil.
 (2) Flat washer, compression spring, sleeve and 2 pcs. of steel ball 3.5 can be removed from anvil.
 (3) Anvil can be removed from hammer case.

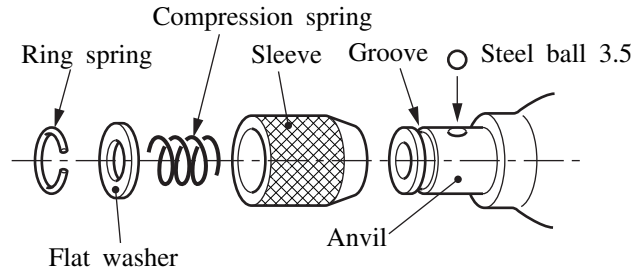


Fig. 1

- (4) When assembling anvil to hammer case, put MAKITA grease N No.2 by approx.0.5g to the cylindric part of anvil.

- < 3 > Removing hammer
 (1) Press down hammer with 1R045: Large gear extractor by turning the handle.

- (2) Adjust the opening for steel ball inserting to the cam groove top of spindle.

- (3) Take off steel ball 5.6 from spindle.

< Note > 25 steel ball 3.5s are installed in hammer.
 Check the quantity when assembling.

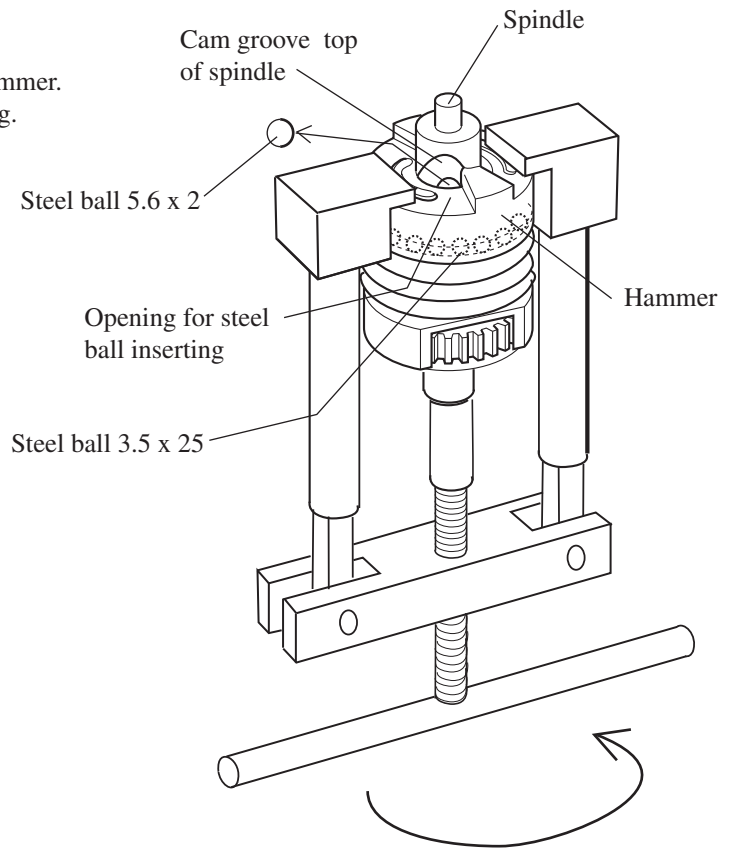
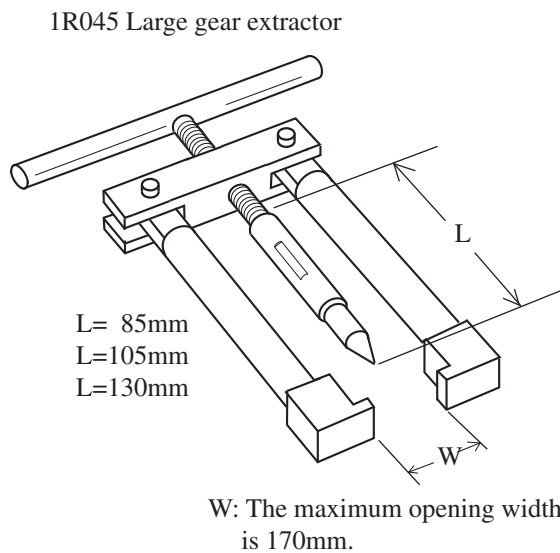


Fig. 2

► Repair

- (4) Apply MAKITA grease N No.2 to the position No. 1, 2, 3 and 4, when assembling.

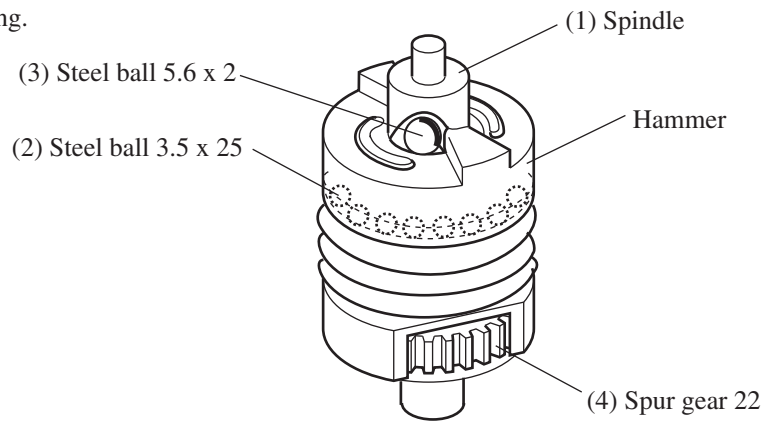
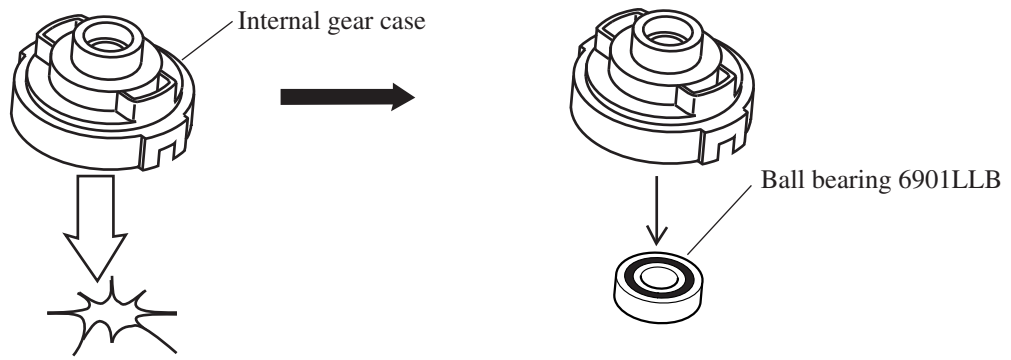


Fig. 3

< 4 > Removing ball bearing 6901LLB

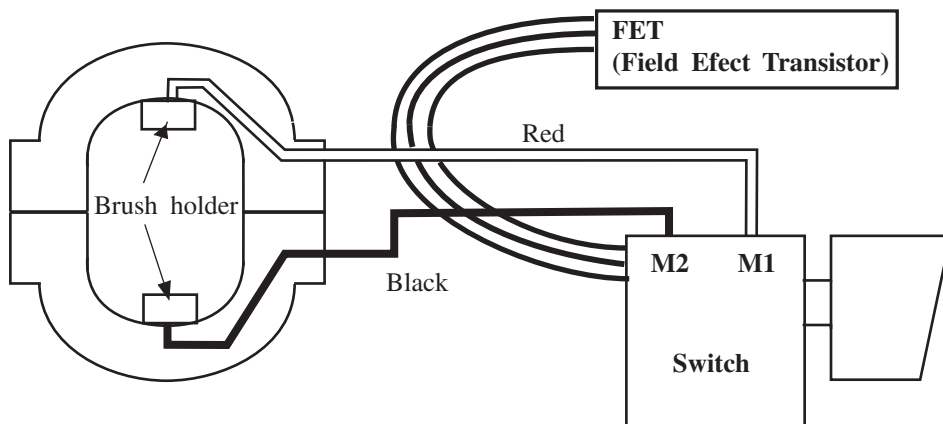


Give a shock by knocking internal gear case on the table.

Ball bearing 6901LLB can be removed from internal gear case by the shock.

Fig. 4

► Circuit diagram



▶ Wiring diagram

Pass the lead wires as illustrated in Fig.5.

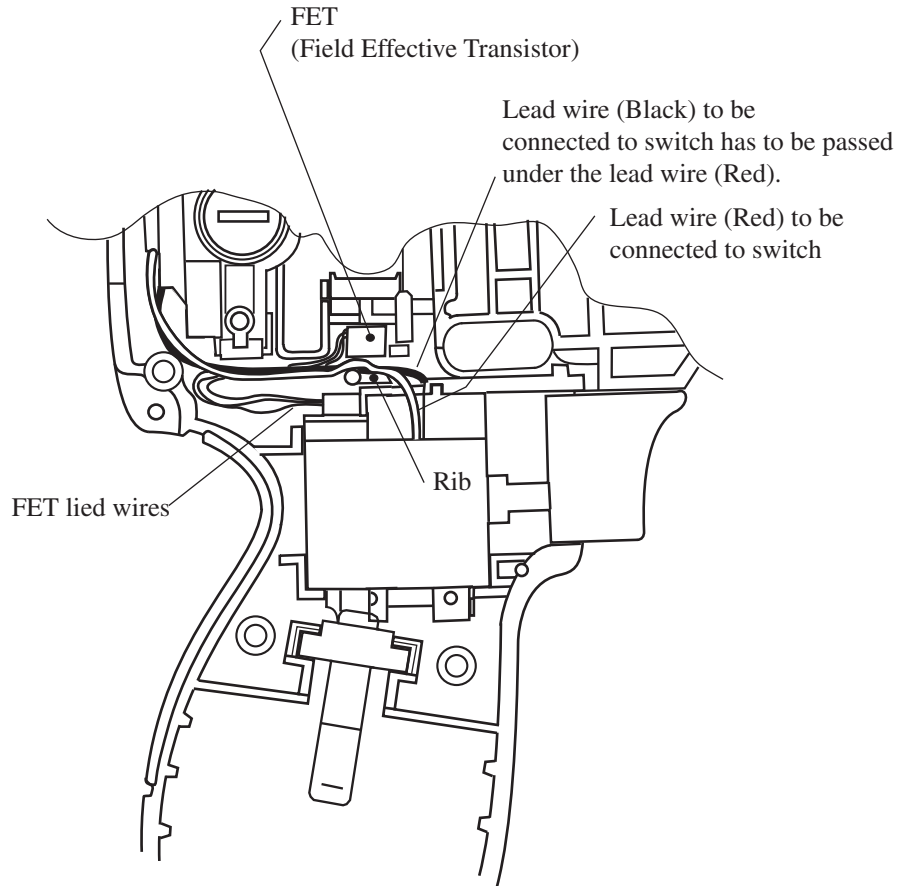


Fig.5