

# T ECHNICAL INFORMATION

**Makita**

New Tool

**For Models** ▶ 6911HD/HDW

**Description** ▶ Cordless Impact Wrench

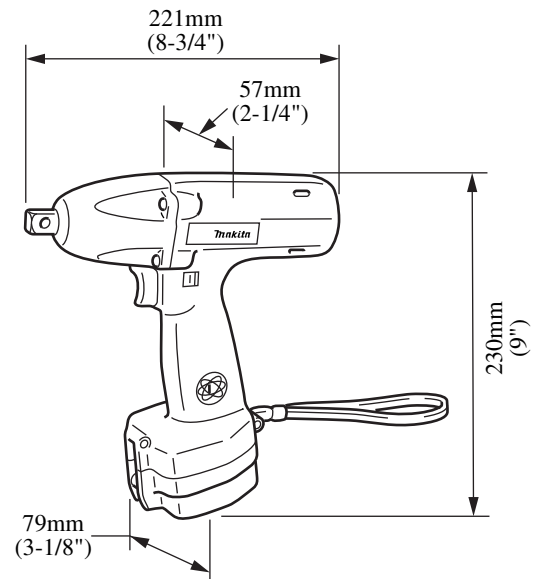
## CONCEPTION AND MAIN APPLICATIONS

Model 6911HD/HDW is basically the same as the existing Model 6911D/DW (Cordless Impact Driver) except socket/bit retaining portion and a battery cartridge to be used.

Model 6911HD/HDW employs 12.7mm (1/2") square drive and a high capacity battery cartridge 1201.

Model 6911HD is sold with a battery cartridge 1201 but without a fast charger.

Model 6911HDW includes a battery cartridge 1201 and a fast charger DC1201.



### ► Specifications

<b>DC Magnet Motor</b>	12V
<b>No Load Speed</b>	0-1,800R/min
<b>Impacts per Minutes</b>	0-2,500
<b>Square Drive</b>	12.7mm(1/2")
<b>Max.Fastening Torque</b>	1,200kg.cm(87 ft.lbs)

### ► Capacity

**Standard Bolt** : 8mm-14mm(5/16"-9/16")

**High Tensile Bolt** : 6mm-12mm(1/4"-1/2")

**Net Weight** : 1.8kg(4.0lbs)

### ► Standard equipment

Buttery Cartridge 1201, Socket 19-40, Pin4, Oring26, Fast Chaeger DC1201(6911HDW only), Plastic Carrying Case(6911HDW only)

### ► Optional accessories

Buttery Cartridge 1201, Various size of Sockets, Extension Bar 12.7, Universal Joint 12.7, Bit Adapter, Oval Socket, Phillips Bit