

# T ECHNICAL INFORMATION

**Makita**

New Tool

**Models No.** ▶ 6891D

**Description** ▶ Cordless screw driver

## CONCEPTION AND MAIN APPLICATIONS

Model 6891D/6891DW are screw drivers with 9000 batteries used only for dry walls.

Each of them has a variable speed switch with a brake.

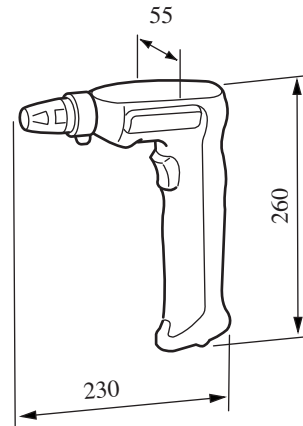
Model 6891DW consists of :

6891D (Battery screw driver for boards)

DC9100 (Quick charger)

Battery 9000

The battery and the charger are not attached to Model 6891D.



### ► Specifications

Motor	DC 9.6 V magnet motor
No load speed	0-1400/min
Hexagon shaft	6.35mm (across flats)
Dry wall screw	4mm
Net weight	1.3 kg

### ► Standard equipment

Magnet connecting bit 6.35-60 : 1

Bit 2-25 : 1

Steel portable case only for 6891DW

### ► Optional accessories

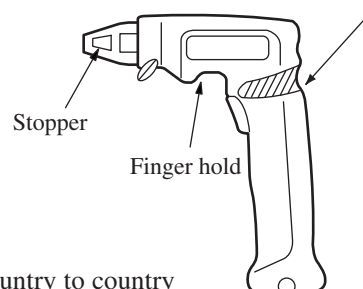
Battery 9000

Magnetic connecting bit 6.35-60

Bit 2-25

12V quick charger DC9012 (for charging from the car cigarette lighter socket)

Hatching part is narrowed



The standard equipment for the tools shown may differ from country to country

## ► Repair

- (1) Before placing the gear complete in the housing, attach the dust-proof ring on the tip of the gear.
- (2) Grease the front part of the ball bearing  
(to protect the bearing from dust coming into the without being eliminated by the dust-proof ring).

