

# T ECHNICAL INFORMATION



New Tool

Models No. ▶ 6410

Description ▶ 10mm Drills

## CONCEPT AND MAIN APPLICATIONS

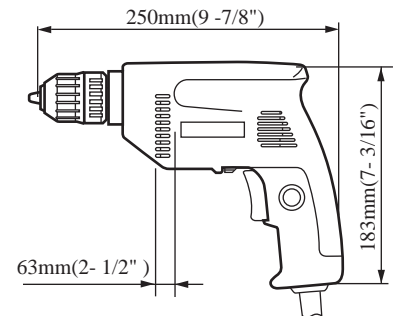
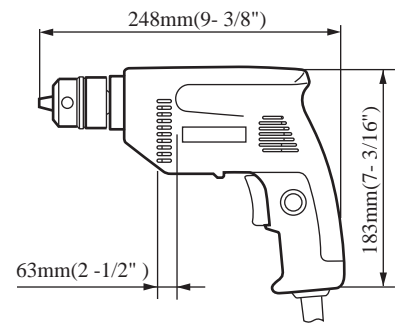
Model 6409/6410 are redesigned versions of the existing 10mm drills and their brief benefits are;

\*Reasonable price

\*Easy operation

by ergonomic design for easily pushing the axis of drilling

Model	Speed control	Reversing direction of rotation	Drill chuck
6409	No	No	Conventional (Keyed)
6410	Yes	Yes	Keyless



## ► Specifications

Voltage (V)	Current (A)	Cycle (Hz)	Continuous Rating (W)		Max. Output(W)
			Input	Output	
100	3.7	50/60	350	170	240
120	3.2	50/60	350	170	240
220	1.7	50/60	350	170	240
230	1.6	50/60	350	170	240
240	1.5	50/60	350	170	240

No load speed	6409	2200rpm
	6410	0-2200rpm
Drill chuck capacity	6409	1.5-10mm(1/16-3.8")
	6410	1.0-10mm(1/32-3.8")
Max.drilling capacities	Steel	10mm(3/8")
	Wood	25mm(1")
Net weight		1.2Kg(2.6lbs)
Cord length		2.0m(6.6ft)

## ► Standard equipment

Chuck Key S10 (Model 6409 only)

## ► Optional accessories

Drill bit 1,5,2,3,4,5,6

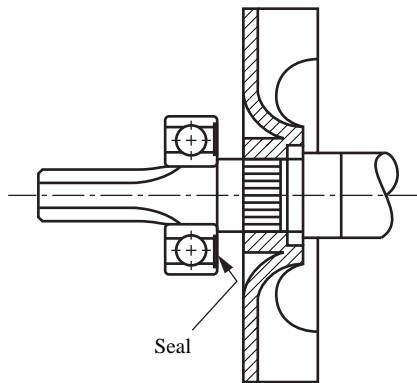
Drill bit for wood 9,12,15

The standard equipment for the tools shown may differ from country to country.

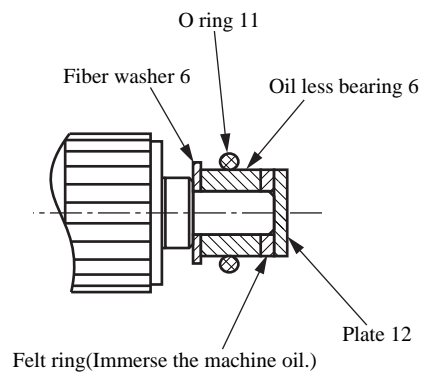
## ► Repair

Use cares of the following points in assembling/disassembling.

- 1) See the figure below for the positions of ball bearing seal.
- 2) Assemble the shaft receiver of the commutator side as shown on the below figure.



1) Positions of ball bearing seal

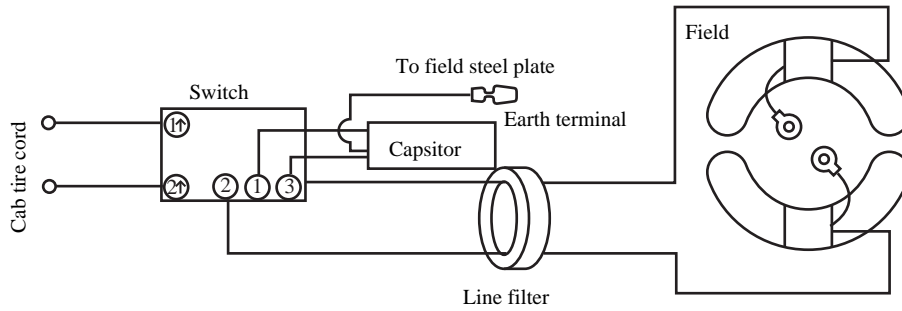


2) Assembling of shaft receiver at commutator side

## ▶ Circutt drawing

Circuit drawing of #M606, #6409:

The condenser and line filter are not used in some countries.



Circuit drawing of #M607, #6410:

The condenser, chalk coil and line filter are not used in some countries.

