

# TECHNICAL INFORMATION



New Tool

**Models No.** ▶ 6172D

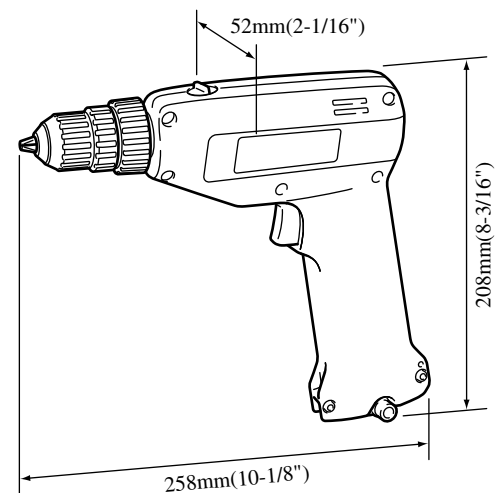
**Description** ▶ MAKITA 10 mm (3/8") Cordless driver drill

## CONCEPTION AND MAIN APPLICATIONS

Model 6172d was developed to increase the maneuverability of the existing Models 6012D and 6072D.

It has a keyless chuck for greater ease in bit installation/removal and well-designed handle which makes bit centering easier and operation more convenient.

Model 6172D is sold without a battery cartridge and a fast charger. Model 6172DW includes a battery cartridge 7000 and a fast charger DC9700.



### ► Specifications

<b>Motor</b>	DC 7.2 V Magnet motor
<b>No load speed</b>	0-600 R/min. in high speed 0-250 R/min. in low speed
<b>Chuck capacity</b>	Steel 10mm(3/8") Wood 15 mm (9/16")
<b>Wood screws</b>	5.1mm(1-3/64")x35 mm(1-3/8")
<b>Net Weight</b>	1.2 kg(2.6lbs)

### ► Standard equipment

+Phillips Bit 2-65 --- One piece

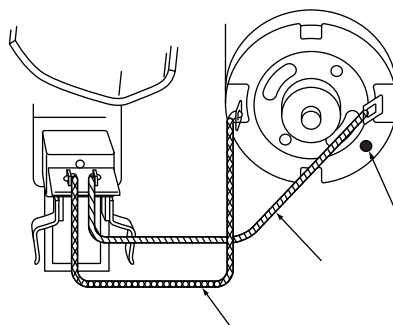
### ► Optional accessories

Battery Cartridge 7000, Various size of Drill 1Bit, Various size of Phillips Bits, Various size of Slotted Bits, Form Polishing Pad 125, Wool bonnet 100, Rubber Pad Assemble, Various size of Abrasive Discs, fast charger DC9700, DC9015, DC7012.

### ► Repair

There is no special cautions for repair.

### ► Circuit diagram



The standard equipment for the tools shown may differ from country to country