

# TECHNICAL INFORMATION

**Models No.** ▶ 6093D

**Description** ▶ MAKITA Cordless driver drill

## CONCEPTION AND MAIN APPLICATIONS

This machine is the cordless driver drill, wherein the fastening force switching clutch is additionally built in the 6092D.

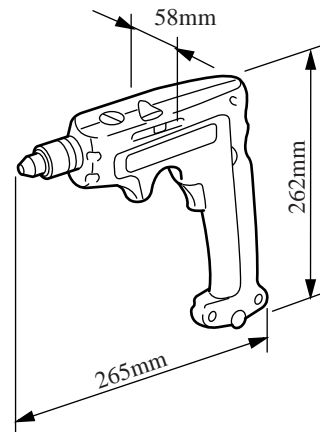
Unlike the conventional machine, this highly upgraded machine has the five features such as "Clutch mounted", "Gear 2-step changing", "Non-step variable speed switch", "Brake mounted" and "Overload protector".

There is no similar product with all the above features in other company.

Since the fastening force switching can be adjusted at the edge of the machine, it can be easily adjusted under visible condition.

The 6093D is the model without battery and charger.

The 6093DW is the model with battery and charger.



## ► Specifications

<b>Motor</b>	DC 9.6 V Magnet motor	
<b>No load speed</b>	0-1100/min. in high speed 0-400/min. in low speed	
<b>Chuck capacity</b>	1.5-10	
<b>Boring capacity</b>	10 mm for steel, 18 mm for wood	
<b>Screwing capacity</b>	Wooden screw	5.5 x 55mm
	Small screw and nut	6 mm
<b>Weight</b>	1.7kg (Including battery)	

## ► Standard equipment

Chuck key S10 --- One piece  
+ Bit 2-65 --- One piece  
Only for 6093DW specification

## ► Optional accessories

Socket bit 5.5-55, 7-55, 8-55, 10-55  
For other than shown above, same as 6092D.

## ► Repair

### 1) Disassembling :

Loosen the screw mounting the change ring to remove the change ring, and then disassemble the housing.

### 2) Assembling :

To assemble the change ring on the housing, set in a direction (make fit the arrow on the change ring to the scale “1”) as shown on the right figure, place the change ring on the edge of the housing while the chuck faces upward so that the guide plate may not drop, and then fasten the mounting screws. Slightly grease the guide plate and the cam plate before assembling. Proceed in the same manner as for 6012HD and 6092D for others.

