

# T ECHNICAL INFORMATION



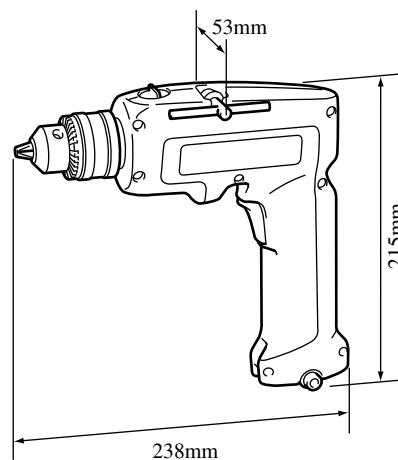
New Tool

**Models No.** ▶ 6072D

**Description** ▶ MAKITA Cordless driver drill

## CONCEPTION AND MAIN APPLICATIONS

This machine is the cordless driver drill equipped with the non-step variable speed switch existing model 6012D.



### ► Specifications

<b>Motor</b>	DC 7.2 V Magnet motor
<b>No load speed</b>	0-600/min. in high speed 0-250/min. in low speed
<b>Chuck capacity</b>	1.5-10mm
<b>Boring capacity</b>	10 mm for steel, 15 mm for wood
<b>Screwing capacity</b>	Wooden screw 5.1x35 mm
<b>Net weight</b>	1.2 kg

### ► Standard equipment

Chuck key S10 --- One piece  
+ Bit 2-65 --- One piece

### ► Optional accessories

Please refer Makita Catalogue

### ► Repair

There is no special cautions for repair.

The standard equipment for the tools shown may differ from country to country