

TECHNICAL INFORMATION



PRODUCT

P 1 / 4

Models No. ▶ 4331D, 4333D

Description ▶ Cordless Jig Saw

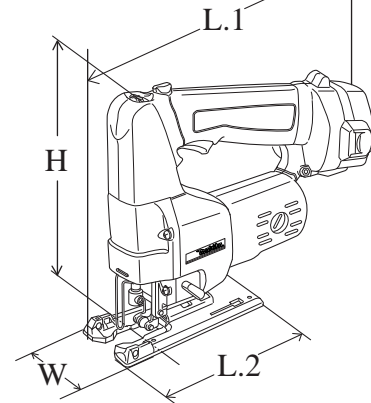
CONCEPTION AND MAIN APPLICATIONS

The above models have been developed as a series of the top-handle type of cordless jig saw.

- * Model 4331D : 12V type with variable speed control feature
- * Model 4333D : 14.4V type with variable speed control feature

The variations of these models are as follows.

Model No.	Battery	Charger	*Charging time for one battery pack
4331DWD	Ni-MH 1234 : 1 pc.	DC1411	approx.75 min.
4331DWAE	Ni-Cd 1222 : 2 pcs.	DC1411	approx.60 min.
4331DWDE	Ni-MH 1234 : 2 pcs.	DC1411	approx.75 min.
4333DWD	Ni-MH 1434 : 1 pc.	DC1411	approx.75 min.
4333DWAE	Ni-Cd 1422 : 2 pcs.	DC1411	approx.60 min.
4333DWDE	Ni-MH 1434 : 2 pcs.	DC1411	approx.75 min.



Dimensions : mm (")	
Width (W)	70 (2-3/4)
Height (H)	217 (8-1/2)
Length (L.1)	280 (11)
Length (L.2)	153 (6)

*Charging time for one battery pack: The above time may change, which depends on the conditions of battery, charger, etc.

Specification

Model No.	4331D	4333D
Strokes per min.: (min -i= spm)	500 - 2,800	500 - 2,600
Length of stroke : mm (")	26 (1)	
Max. cutting capacities	in wood: mm (")	65 (2-9/16)
	in mild steel: mm (")	10 (3/8)
	in aluminum: mm (")	20 (13/16)

Standard equipment

- *Jig saw blade set1 set (including Jig saw blade No.B-10 : 2 pcs., BR-13 : 2 pcs., and B-22 : 2 pcs.)
- *Hex wrench 3 1 pc.
- *Kerf board 1 pc.
- *Plastic carrying case 1 pc.

< Note > The standard equipment for the tool shown may differ from country to country.

Optional accessories

- * Jig saw blades of MAKITA type : No. 1 - 5, No.8 - 10, No.16, No.17, No.41, No.42, No.BR-3
- * Jig saw blades of B type : No.51, No.58, 59, B-10 - B19, B-21 - B-27, B16L, BR-13
- * Battery 1200, 1202, 1201A, 1220, 1222, 1234, 1235 (for 4331D)
- * Battery 1420, 1422, 1433, 1434, 1435 (for 4332D and 4333D)
- * Rip fence
- * Vacuum head
- * Circular guide
- * Battery cover
- * Protector
- * Charger DC1411
- * Plastic base plate
- * Fast charger DC1422
- * Kerf board set
- * Fast charger DC1439
- * Hose set

< 1 > Disassembly and assembly of mechanical parts

Disassemble the gear housing cover from the main tool-body by removing the four tapping screws 4x18.

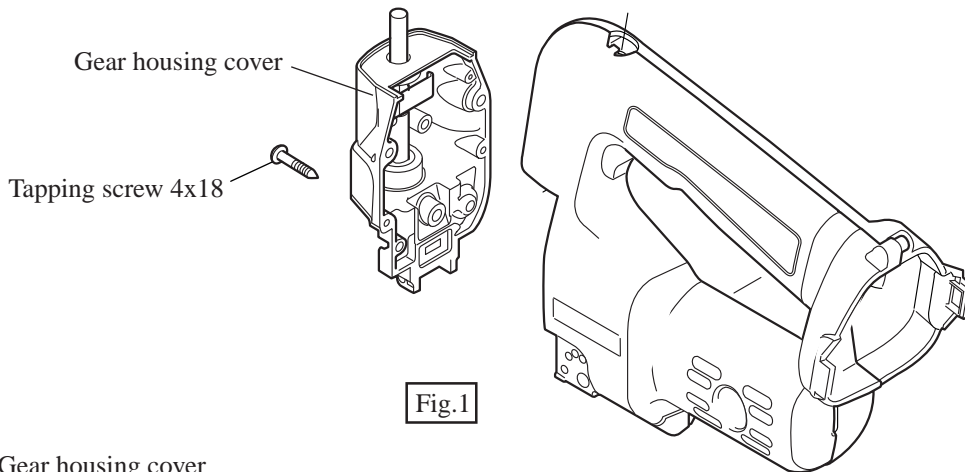


Fig.1

1) Gear housing cover

1. Remove thrust plate from slider. (See Fig.2-1.) And then, remove slider by unscrewing countersunk hd.screw M4x10 with a straight T20 torx bit. (See Fig.2-2.) So, rod can be removed from gear housing cover. (See Fig.2-3.)

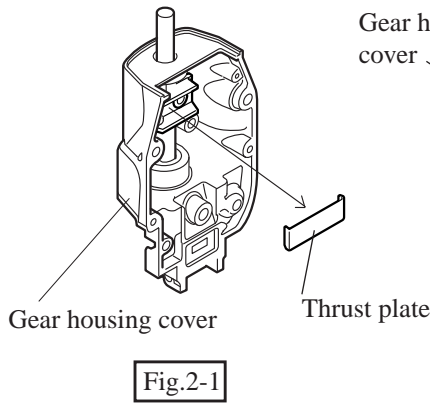


Fig.2-1

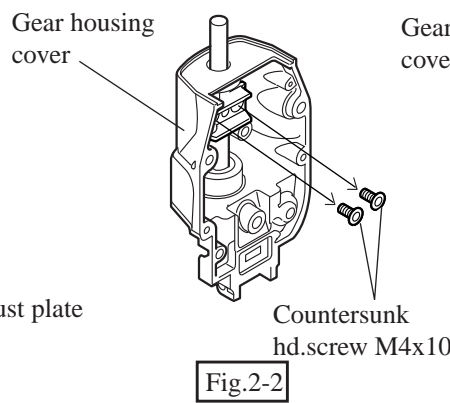


Fig.2-2

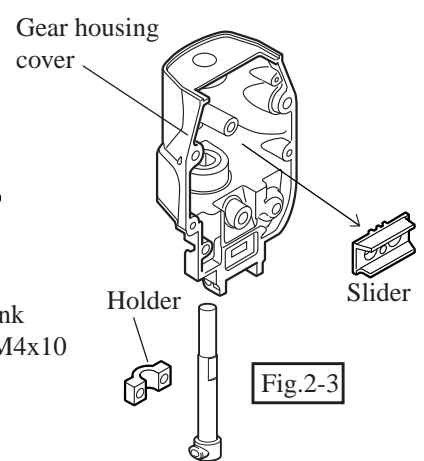


Fig.2-3

2. Attach holder under flat section of rod. See fig. 3.
3. Attach slider to rod, making sure that the flat surface on the slider matches the flat surface on rod. See Fig. 3.
4. Tighten countersunk hd.screw M4x10 used to hold the slider. See fig. 3.
5. Set thrust plate on slider with the folded ends toward the inside of the gear housing cover. See fig. 3.

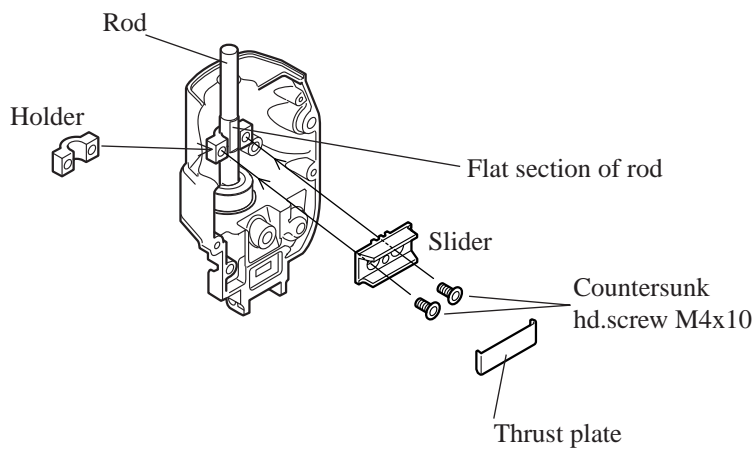


Fig.3

< 2 > Assembly of the parts in housing set

1) Balance plates are not symmetric. Assemble the balance plate as shown in Fig.4.

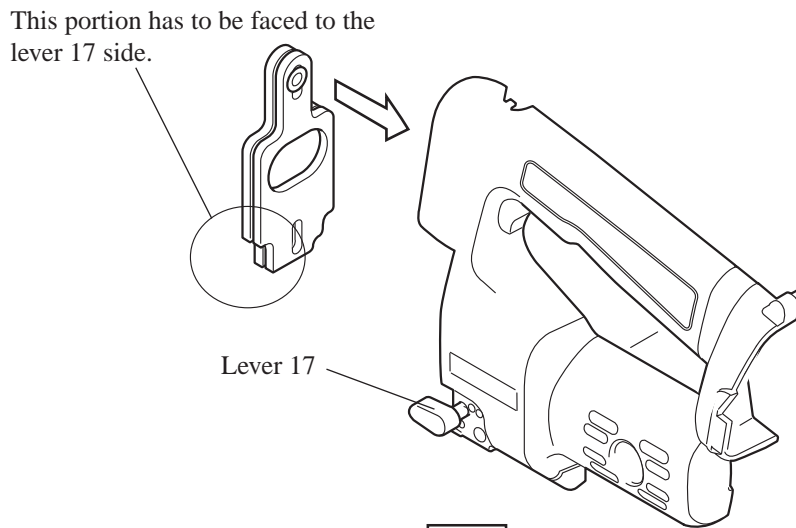


Fig. 4

2) Tighten countersunk hd.screw M4x10 with a straight T20 torx bit for mounting pin 8. Note the alignment of pin 8. The hole in the center of pin 8 must be positioned in the same direction as the tabs on motor bracket as shown in Fig. 5.

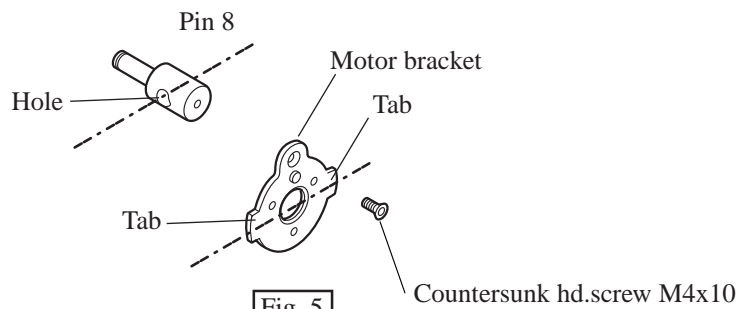


Fig. 5

3) Assemble the internal parts as shown in Fig.6, and joint crank complete and helical gear 58 by tightening hex socket hd.bolt M4x16

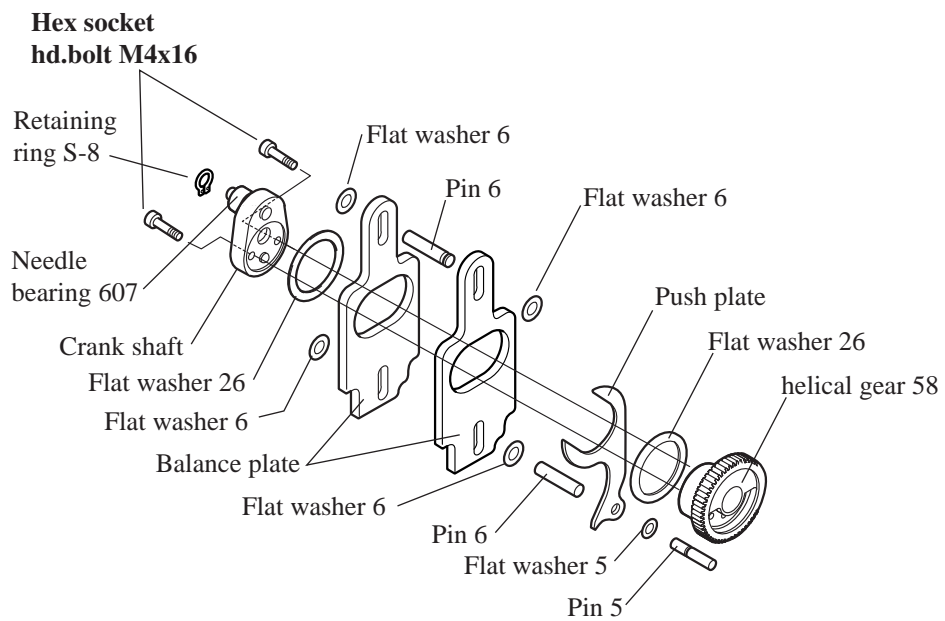


Fig. 6

4) Attach gear housing cover to housing set so that needle bearing 607 is aligned with the slot portion of slider.

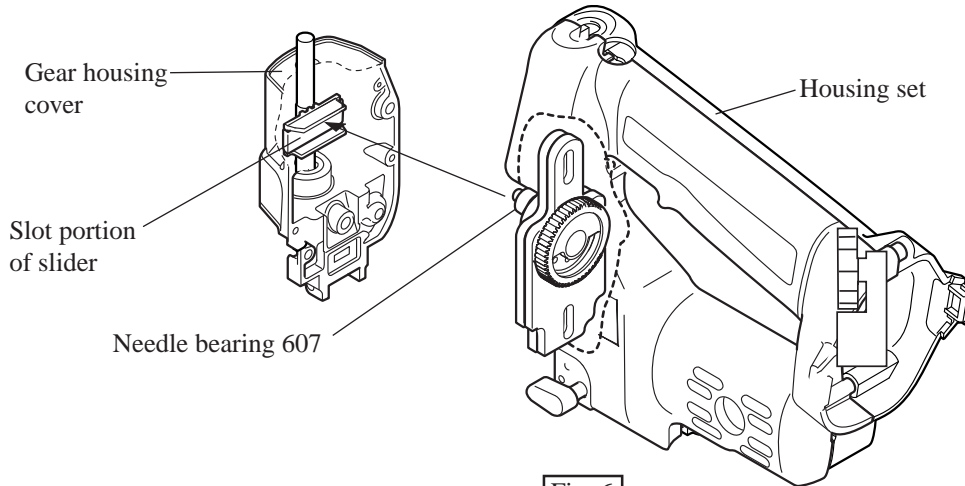


Fig. 6

► **Circuit diagram**

(Model 4331D and 4333D)

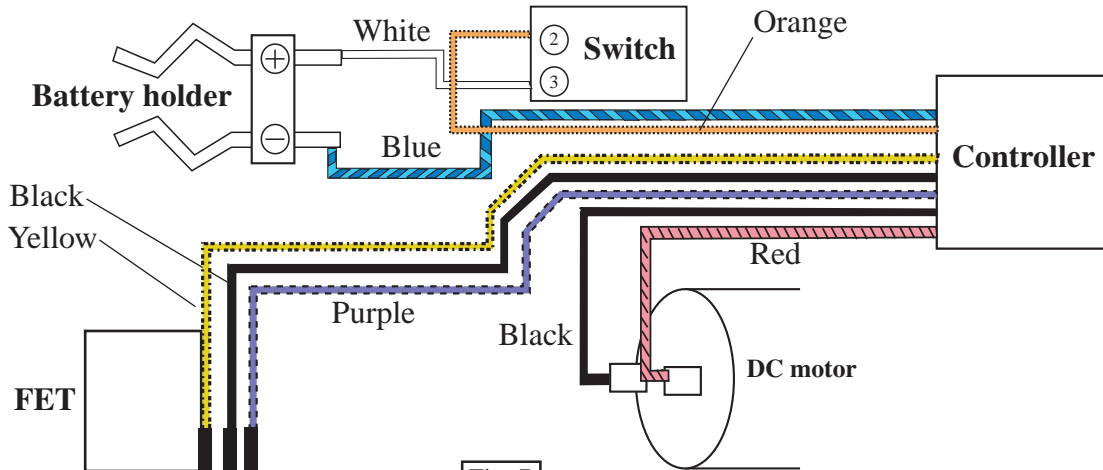


Fig. 7

► **Wiring diagram** (Model 4331D and 4333D)

Push lead wires (Blue and Orange) to the bottom of housing to prevent interference by lock off button.

