

# TECHNICAL INFORMATION



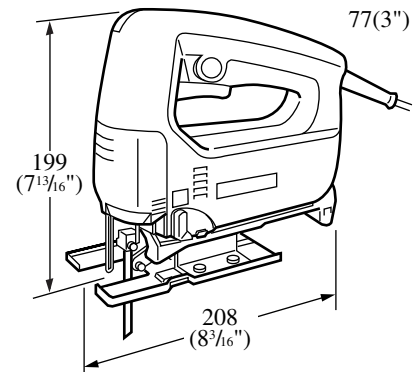
**Models No.** ▶ 4324

**Description** ▶ Jig Saw

## CONCEPTION AND MAIN APPLICATIONS

Model 4324 is the sister version of the existing Model 4323.

Model 4324 is equipped with Orbital action feature.



### ► Specifications

Voltage (V)	Current (A)	Cycle (Hz)	Continuous Rating (W)		Max. Output(W)
			Input	Output	
100	4.2	50/60	400	225	380
120	3.7	50/60	400	225	380
220	1.9	50/60	400	225	380
230	1.8	50/60	400	225	380
240	1.8	50/60	400	225	380

No load speed	Strokes per minute	500-3100/spm
Max. Cutting capacities	Wood	65mm (2-9/16")
	Soft steel	6mm (1/4")
Net weight		1.9kg (4.21lbs)
Cord length		2.0m (6.5ft)

### ► Standard equipment

Jig Saw Blade B-1-----1 pc.

Hex. Wrench 3-----1 pc.

<Note> The standard equipment may differ from country to country.

### ► Optional accessories

Guide Rule Set Jig Saw Blade No. 51, 58, 59

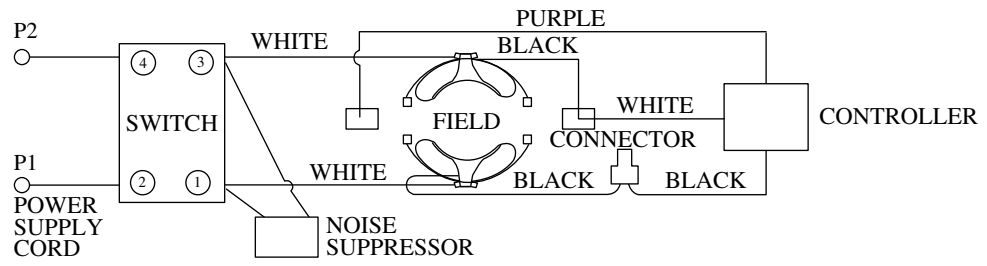
Kerf Board Jig Saw Blade No. B-10 ~ 19, B-21 ~ 27, B-161, BR-13

Hose Complete 28-1.5

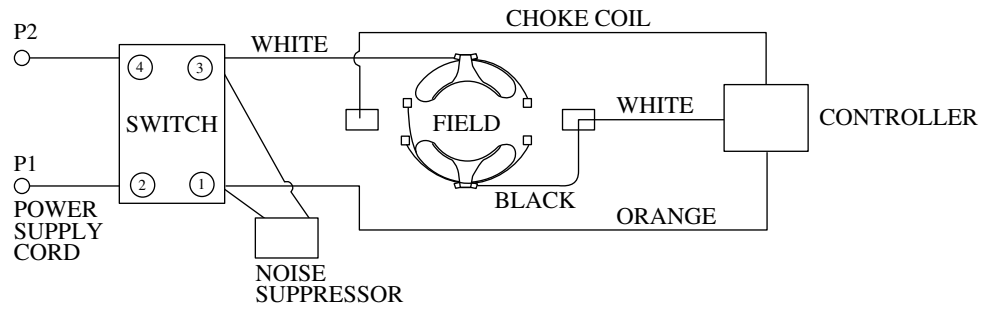
Hose Complete 28-3.0

## ▶ Wiring diagram

100V ~ 130V



Over 200V

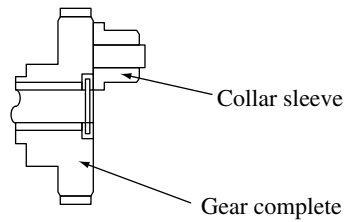


\* Noise suppressor and Choke coil are not used for all counties.

## ► Repair

### (1) Notes in attaching Collar sleeve

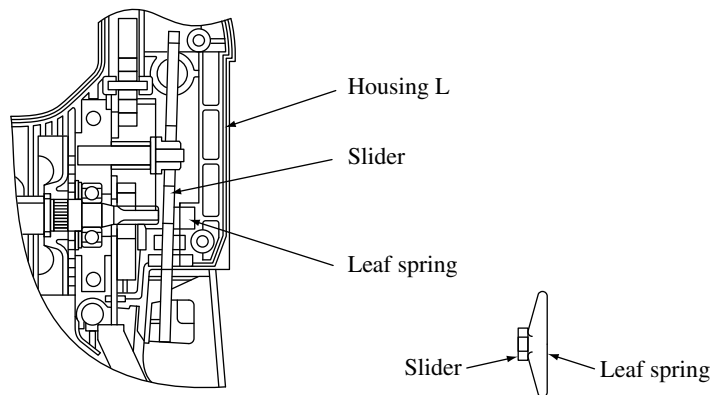
Attach Collar sleeve so that Collar may be positioned in Gearcomplete side.



### (2) Notes in attaching Leaf spring

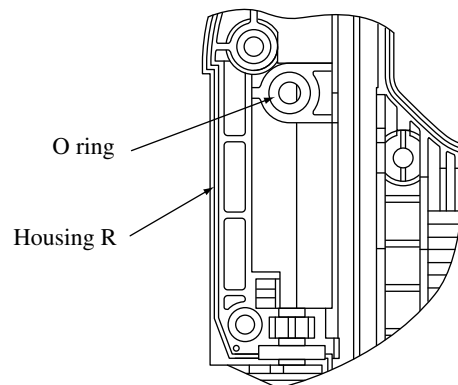
Be careful so that Leaf spring may not enter under Slider in attaching it.

After having attached Slider, insert Leaf spring at the right angle against Housing L like the Figure.



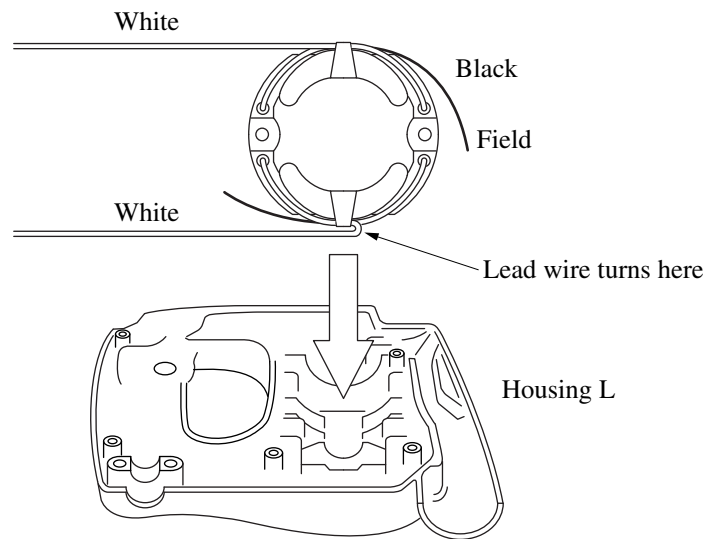
### (3) Notes in attaching Housing

When attaching Housing R/L, push O ring surely into the depth of Housing so that O ring in Housing R side may not fall out. ( There is a Rib in the depth to prevent falling)

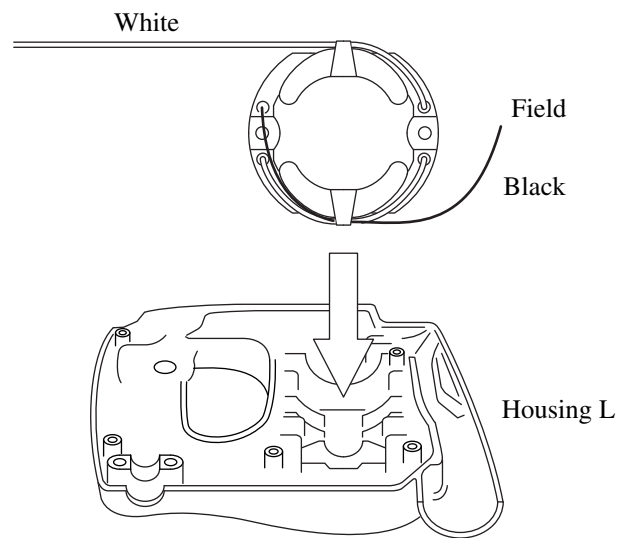


(4) Notes in Field exchange  
Place Field into Housing L in the direction shown in the figure.

Low voltage: 100~130V

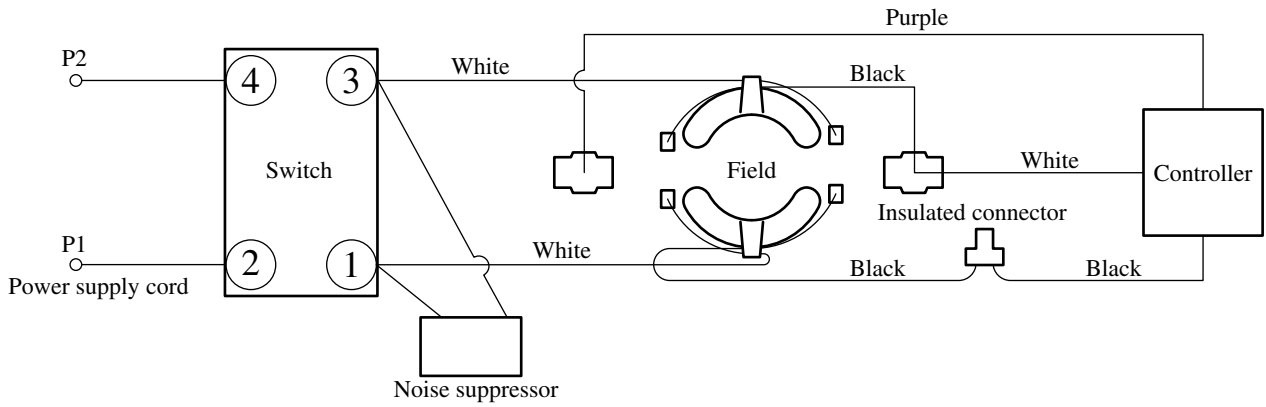


High voltage: 200 V or more

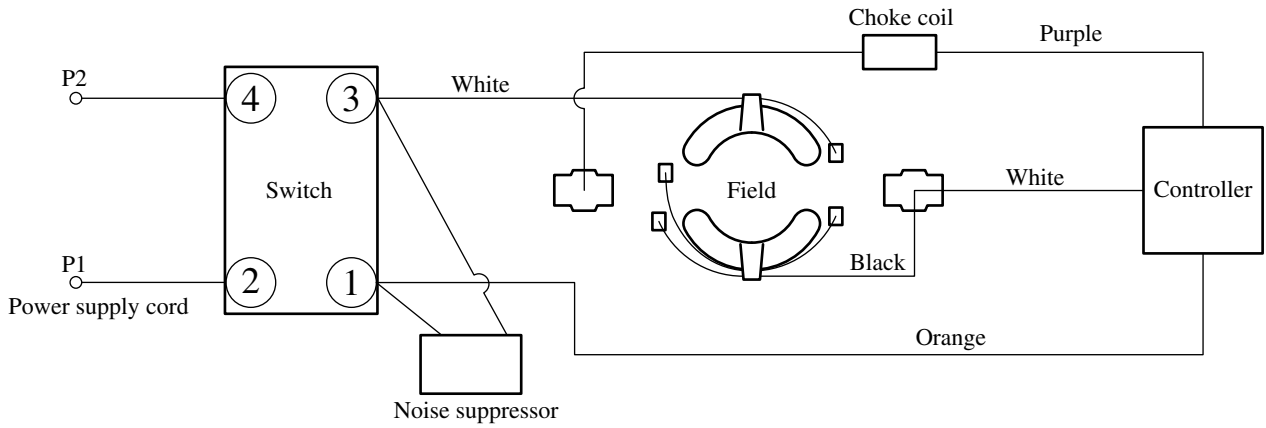


## ► Circuit diagram

Low voltage 100~130V



High voltage 200~240V



(Note) Noise suppressor/Choke coil are not used in some countries.

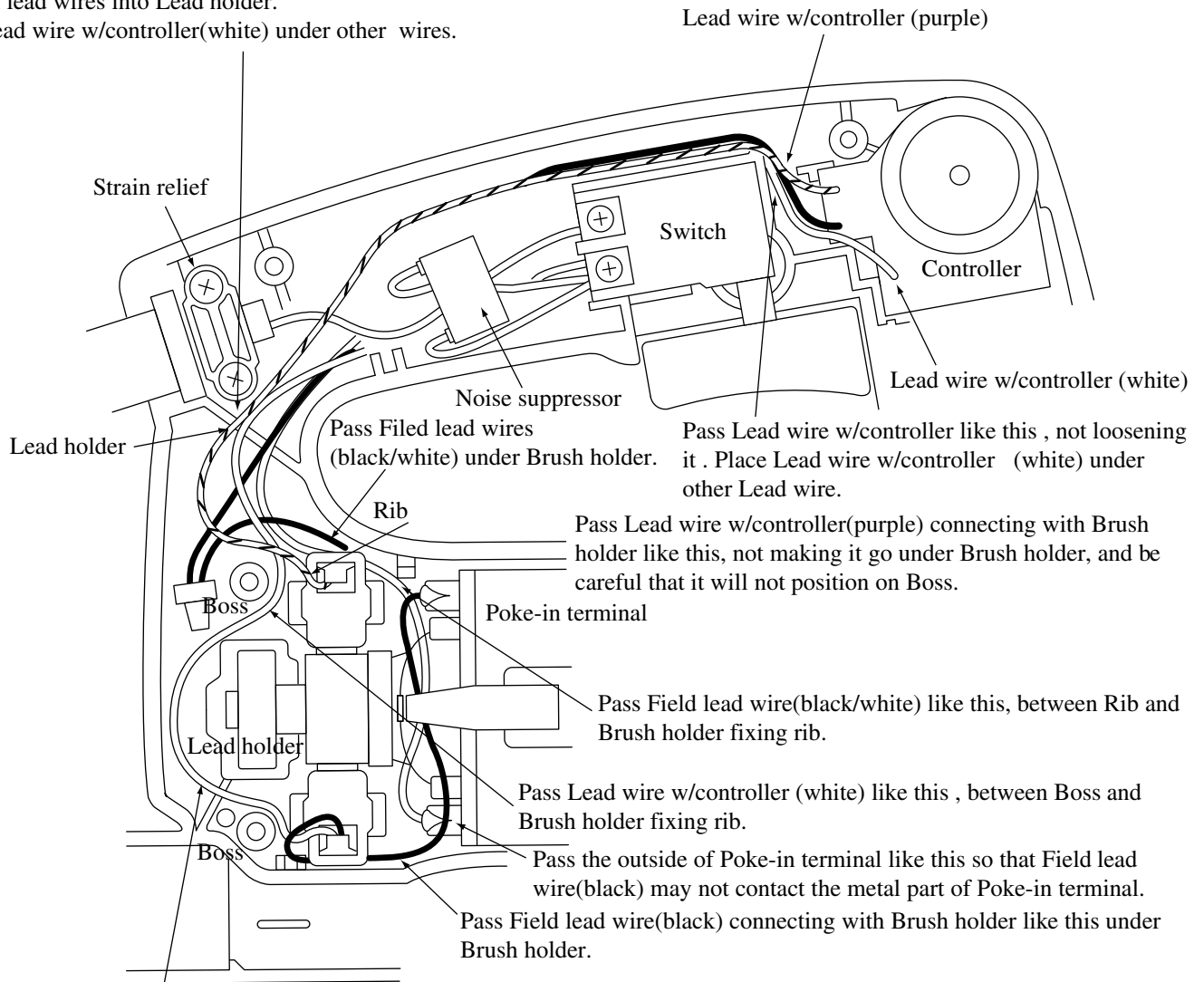
Wiring ( how to store in Housing)

Note: Noise suppressor/Strain relief are not used in some cases.

As to wiring, arrange according to the following figure , being careful of the following points.

Store all lead wires into Lead holder.

Place Lead wire w/controller(white) under other wires.



Be careful that Lead wire w/controller(white) will not position on Boss.

Push it into the depth of Lead holder.

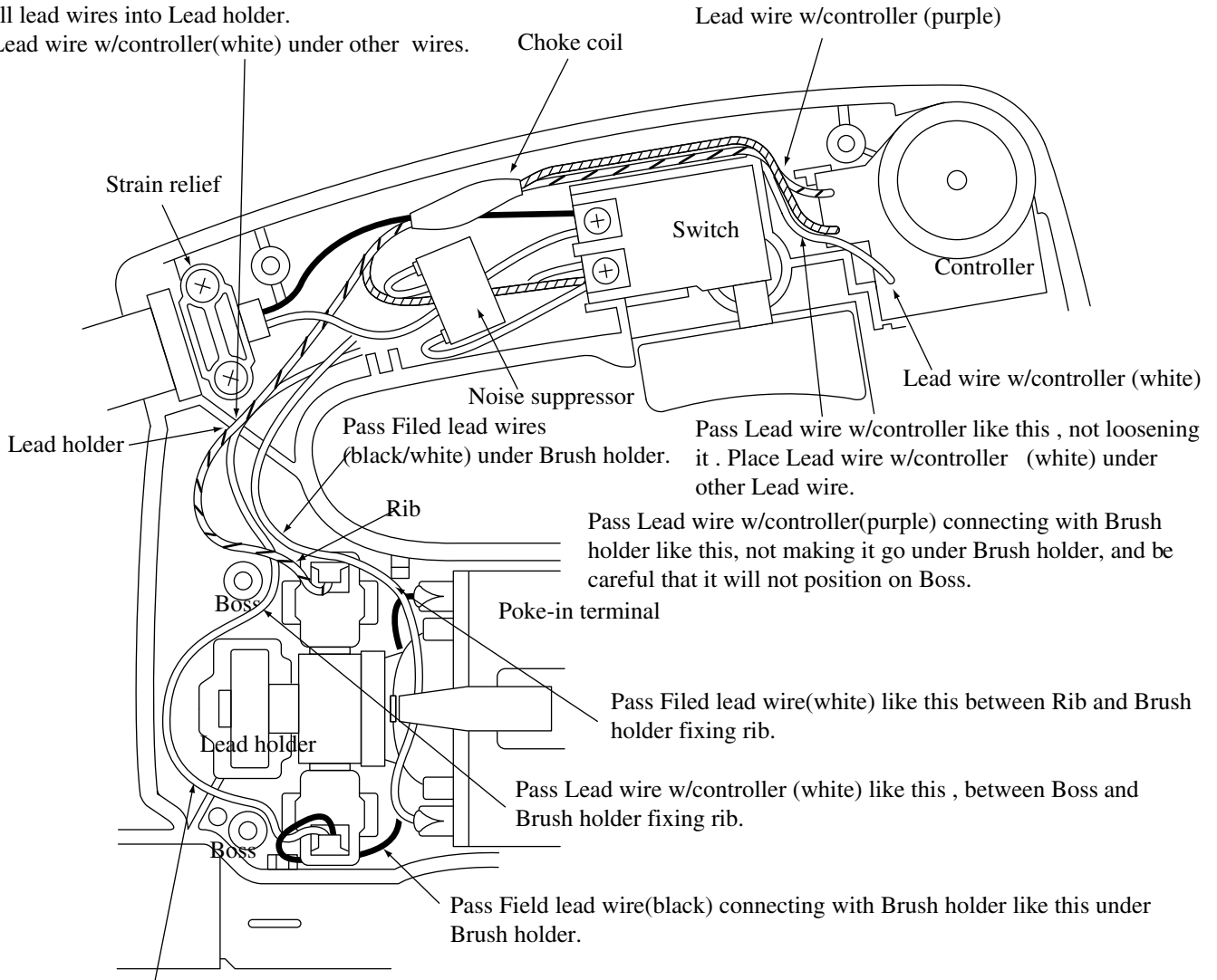
# High Voltage

Note: Noise suppressor/Strain relief/Choke coil are not used in some cases.

As to wiring, arrange according to the figure, being careful of the following points.

Store all lead wires into Lead holder.

Place Lead wire w/controller(white) under other wires.



Be careful that Lead wire w/controller(white) will not position on Boss.  
Push it into the depth of Lead holder.