

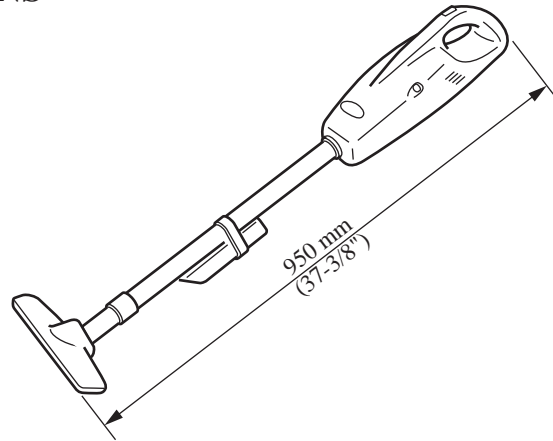
**For Models** ▶ 4072DW

**Description** ▶ CORDLESS CLEANER

## CONCEPTION AND MAIN APPLICATIONS

Model 4072DW is the cordless cleaner power with 7.2V built-in Battery and designed as improved version of existing Model 4070DW, and its brief benefits are;

- \*More pick-up power
  - \*Extremely quiet
  - \*Either paper pack or dust bag can be used.  
Paper Pack : for dump dust neatly  
Dust Bag : for repeating use
  - \*Handle : Thinner and more comfortable design
  - \*High-Low change-switch : for variety use
- Battery can be removed easily to be recycled.



### ► Specifications

Dimension :	383mm(15-1/16")X112mm(4-7/16")X137mm(5-3/8")	
Net weight :	1.0kg(2.2lbs)	
Max.air flow :	0.9m <sup>3</sup> /min.(32ft <sup>3</sup> /min.)	
Max.sealed suction :	280mm(11")of water	
Noise :	High	66dB
	Low	59dB
Continuous operating : time from one charge :	High	10min.
	Low	20min.

### ► Standard equipment

- Nozzle Ass'y
- Corner Nozzle
- Straight Pipe
- Corner Pack

### ► Optional accessories

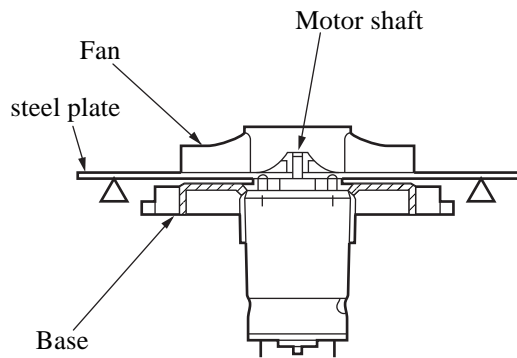
- Flexible Hose, Nozzle Ass'y for carpet, Shelf Brush, Paper Pack Set(10 Pcs./Set)
- 12V 3-hour Quik charger(Automotive charger)DC7022

The Standard equipment for the tools shown may differ from country to country.

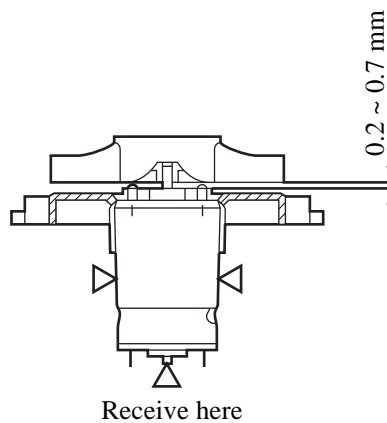
## ► Repair

### 1. Replacing Fan

When picking out Fan from Motor, insert a steel plate between Fan and Base, receive the both ends of steel plate to fix Fan, and pull it out pressing Motor shaft.

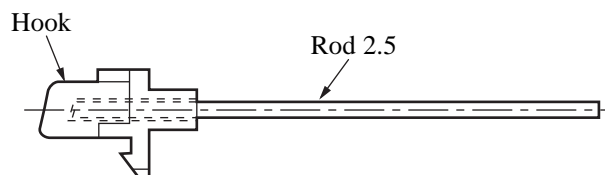


In putting Fan into Motor, be sure to receive the rear end of Motor shaft and put Fan in by pressure so that a gap between Motor and Fan may be 0.2 ~ 0.7 mm when Fan is pressed to Motor side.



### 2. Replacing Hook and Rod 2.5

When replacing Hook or Rod 2.5, put Rod 2.5 by pressure into one side of Hook.



### 3. Tightening torque of screw

Do not tighten screws too much, because Tapping screws are used for the Machine and female screws may be broken if you tighten them too much. (tightening torque: 75kg.cm)

## ► Wiring diagram

